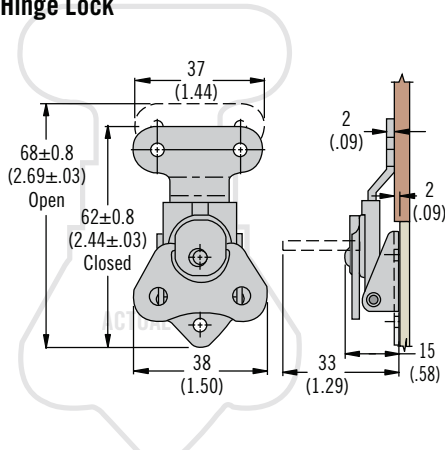


# K3 Draw Latch

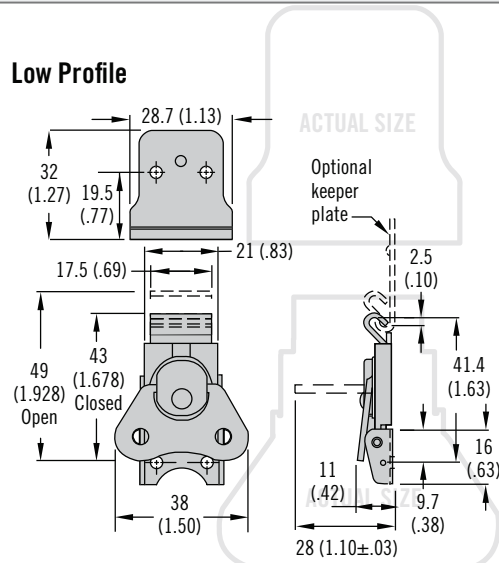
## Rotary · Small



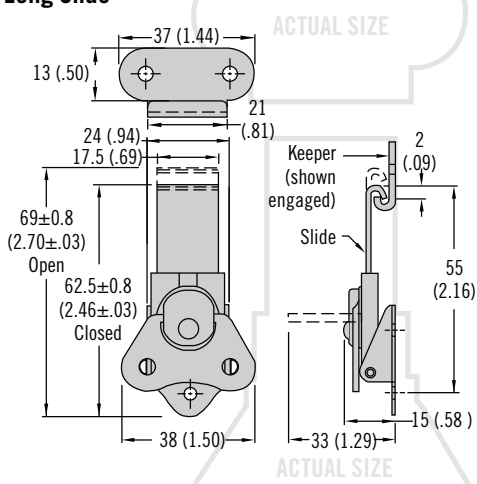
### Hinge Lock



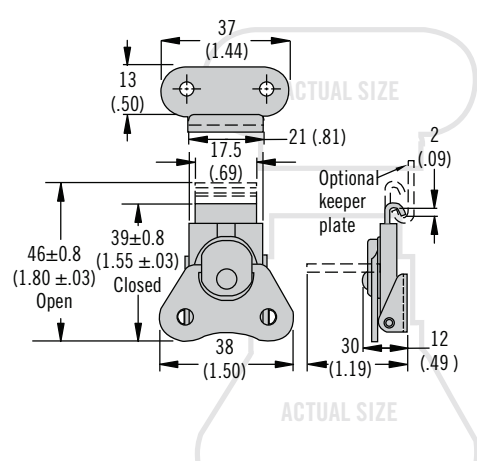
### Low Profile



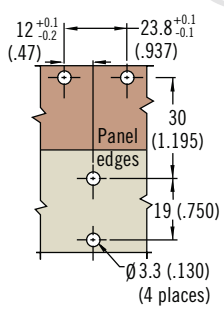
### Long Slide



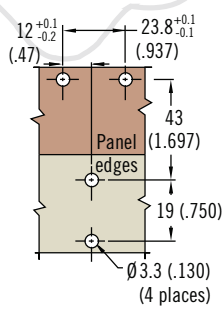
### Short Anchor Plate



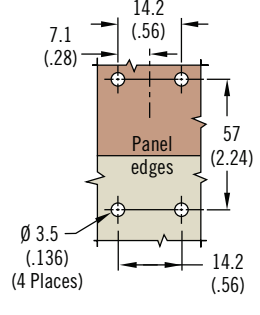
### Hinge Lock



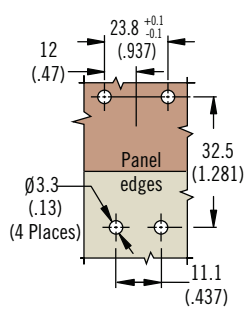
### Long Slide



### Low Profile



### Short Anchor Plate



- Adjustable grip

### Material and Finish

Stainless steel or steel, zinc plated

### Installation Notes

Install assembly with Ø 3 (.125) rivets or M3 (No. 4) screws (not supplied)

### Notes

Hinge lock style has an integrally attached keeper

Material	Latch Part Number				Keeper Part Number	
	Hinge Lock	Long Slide	Low Profile	Short Anchor Plate	Keeper	Low Profile Keeper
Steel	K3-1746-07	K3-2347-07	K3-2694-07	K3-1660-07	K3-0334-07	K3-2696-07
Stainless Steel	~	K3-2347-52	~	K3-1660-52	K3-0334-52	~

### Part Number

See table

Order latch and keeper separately



# K3 Draw Latch

## Rotary · Small

- Lift and Turn operation
- Consistent pull-up

### Material and Finish

Stainless steel or steel, zinc plated

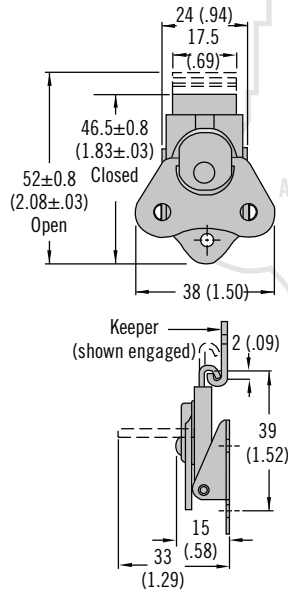
### Installation Notes

Install assembly with  $\varnothing 3$  (.125) rivets or M3 (No. 4) screws (not supplied)

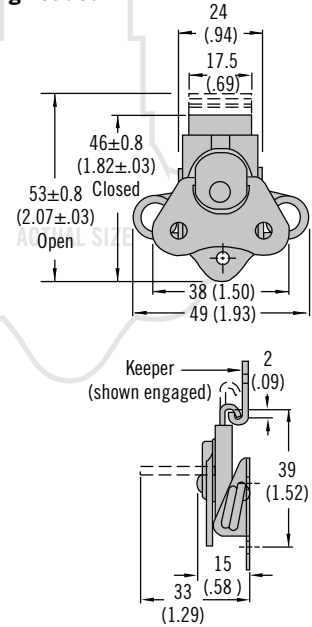
### Notes

Spring loaded:  
Ideal for applications where shock and vibration occur. Compensates up to 4 (.156) for mounting hole irregularities, panel variations and gasket set.

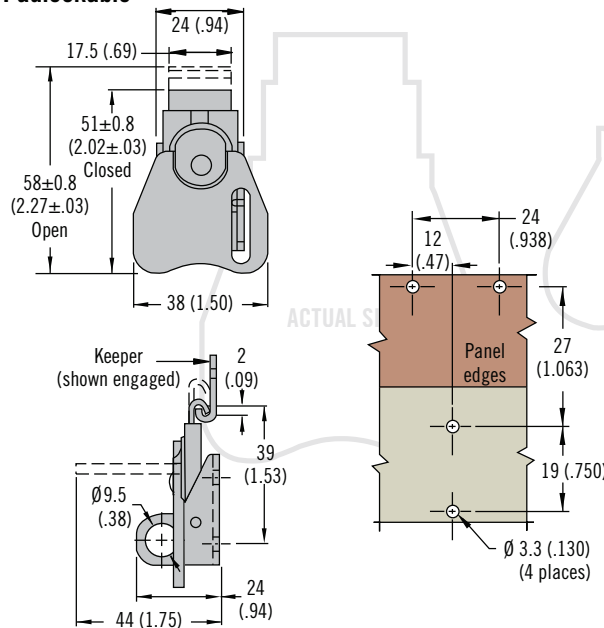
### Riveted



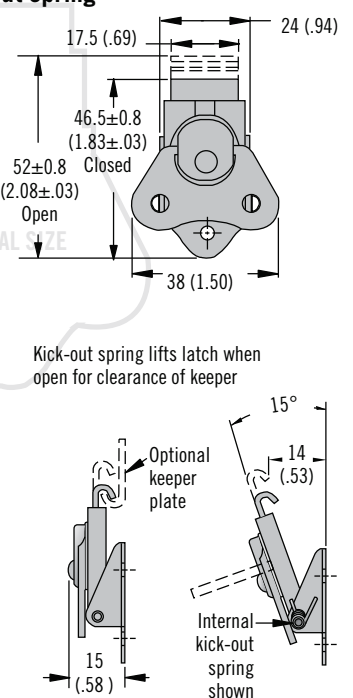
### Spring Loaded



### Padlockable



### Kick-Out Spring



### Part Number

See table

Order latch and keeper separately

Material	Part Number				
	Riveted	Spring Loaded	Padlockable	Kick-Out Spring	Keeper
Steel	K3-1625-07	K3-1735-07	K3-2403-07	K3-1887-07	K3-0334-07
Stainless Steel	K3-1625-52	K3-1735-52	K3-2403-52	K3-1887-52	K3-0334-52