



K2 Draw Latch

Rotary · Medium · Stylized wing

- Lift and Turn operation
- Consistent pull-up

Material and Finish

Stainless steel or steel, black powder coated

Performance Details

Steel:

Max. working load: 1230 N (275 lbf)

Stainless steel:

Max. working load: 845 N (190 lbf)

Operating temperature range:

-40°C (-40°F) to 80°C (175°F)

Installation Notes

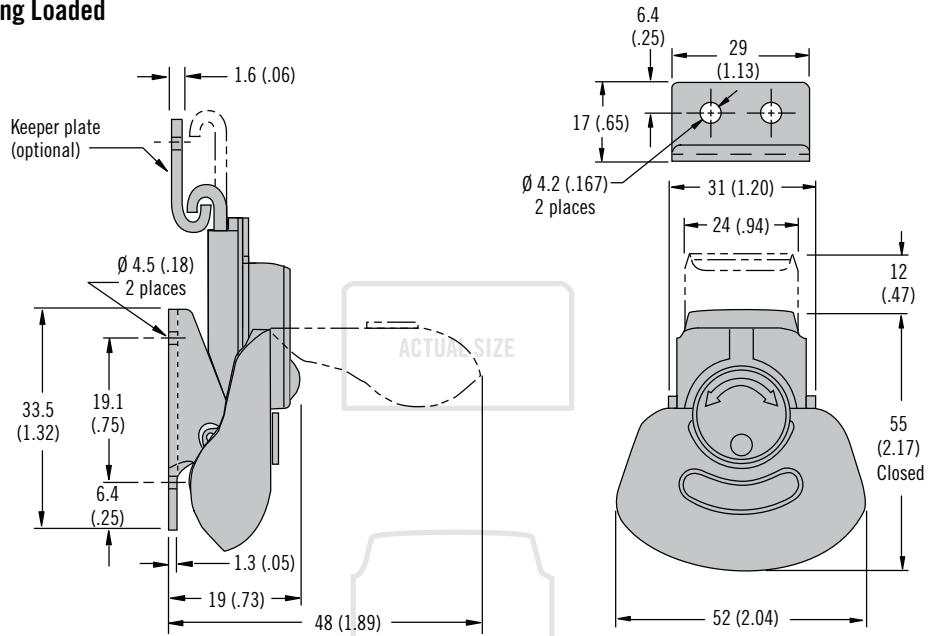
Install assembly with $\varnothing 4$ (.157) rivets or M4 (No. 8) screws (not supplied)

Notes

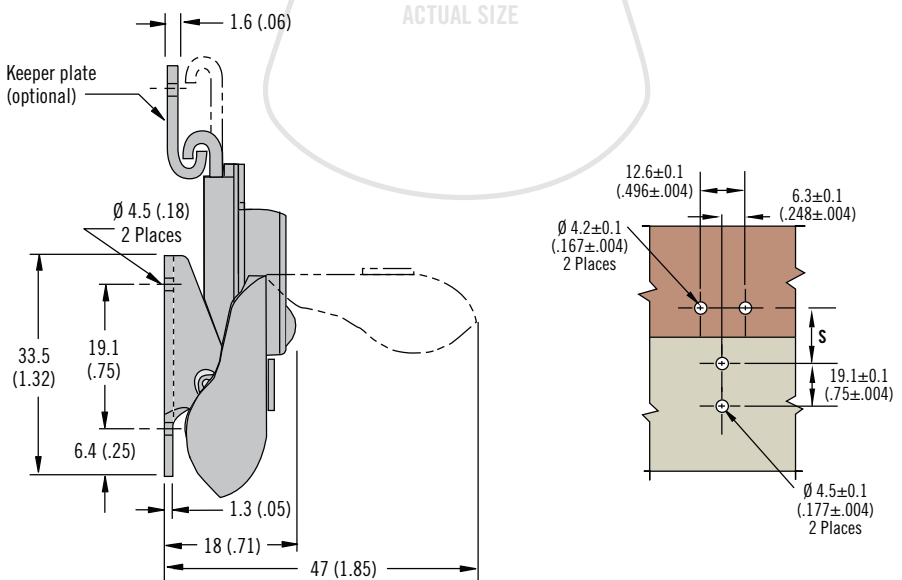
Spring loaded:

Ideal for applications where shock and vibration occur. Compensates up to 1.7 (.07) for mounting hole irregularities, panel variations and gasket set. Also provides an additional allowance of 2.3 (.09) deflection when loaded.

Spring Loaded



Fixed



Part Number

See table

Order latch and keeper separately

Latch	Part Number			S
	Style	Steel, Black Powder Coated	Stainless Steel	
	Spring loaded	K2-3005-89	K2-3005-51	
Fixed	K2-3001-89	K2-3001-51	32 ± 0.2 (1.25 \pm .01)	
Keeper plate		K4-2338-89	K4-2338-51	



www.southco.com/K2

Dimensions in millimeters (inch) unless otherwise stated