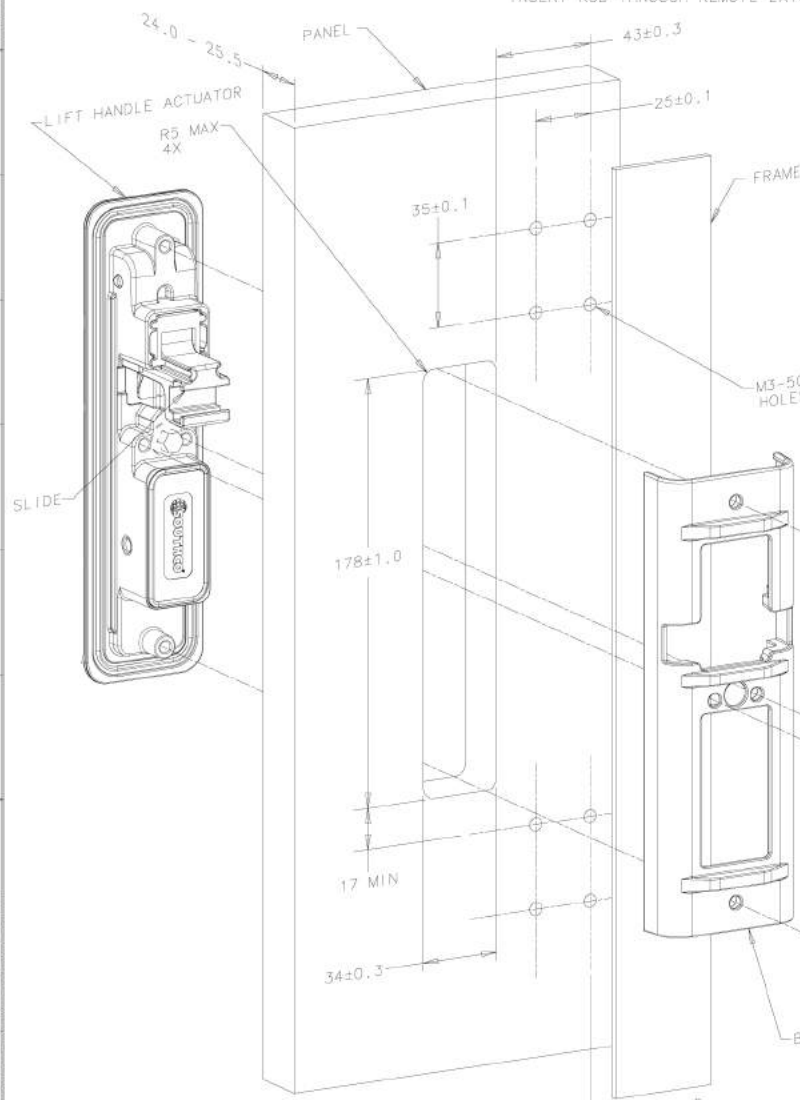


REV.	DATE	DRAWN	DLH	DESCRIPTION	REVISION	UPDATED TO HARD TOOL PARTS	PART NUMBER	PAID LOCK OPTION	SEE TOOL OPERATED STUD DETAILS FOR *XX*
A	23NOV99	DLH	11DEC2000			M3-40-XX0-25	M3-40-XX0-25	NO	
B	11DEC2000	DLH	18JUN2001			M3-40-XX1-25	M3-40-XX1-25	YES	
C	18JUN2001	AJH	31OCT2001			PRN:P2001-0103			
D	31OCT2001	DLH	13DEC2001			PRN:P2001-0566			
E	13DEC2001	DLH	28DEC2002			PRN:P2001-0704			
F	28DEC2002	AJH	11FEB2003			PRN:P2002-0882			
G	11FEB2003	AJH	11FEB2003			PRN:P2004-0134			

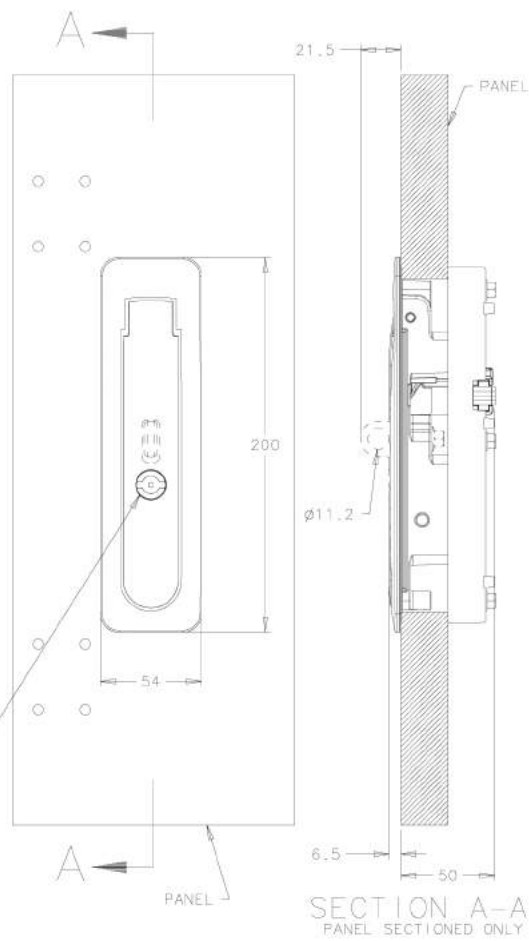
INSTALLATION INSTRUCTIONS:

INSERT LIFT HANDLE ACTUATOR INTO PANEL CUTOUT. POSITION BRACKET ON OPPOSITE SIDE OF PANEL AND FASTEN TO LIFT HANDLE ACTUATOR USING MOUNTING SCREWS. TIGHTEN MOUNTING SCREWS WITH DRIVER SET TO 3.4 N-m MIN. - 4.5 N-m MAX. TORQUE. INSERT CRANK INTO SLIDE WITH REMOTE LATCHES (NOT SHOWN) IN THE CLOSED POSITION. INSERT ROD THROUGH REMOTE LATCHES AND CRANK.



EXPLODED ISOMETRIC

- TOOL OPERATED STUDS**
- 3mm DOUBLE BIT XX=14 TOOL PART No. E3-2
 - 5mm DOUBLE BIT XX=15 TOOL PART No. E3-9
 - TELCO 216 XX=16
 - ELECTRONICS KEY XX=17
 - 2mm SLOT XX=18
 - 8mm HEX SOCKET XX=19
 - 7mm TRIANGLE XX=20 TOOL PART No. E3-3
 - 8mm TRIANGLE XX=21 TOOL PART No. E3-7
 - 7mm SQUARE XX=22 TOOL PART No. E3-4
 - 8mm SQUARE XX=23 TOOL PART No. E3-8
 - 8mm SQUARE SOCKET XX=24 TOOL PART No. E3-10
 - No.2 PHILLIPS XX=25



INSTALLED VIEWS
SCALE .38:1

MATERIAL AND FINISH:

- THE LIFT HANDLE ACTUATOR CONSISTS OF:
HOUSING, HANDLE, COVER PLATE, - DIE CAST ZINC, BLACK POWDER COATED, WITH SILICONE AND URETHANE GASKETS
- SLIDE - DIE CAST ZINC, ORGANIC COATING
PIVOT PIN OUTER SHELL - 303 STAINLESS STEEL, PASSIVATED
PIVOT PIN INNER SHELL - 303 STAINLESS STEEL, PASSIVATED
CASE - POLYETHER IMIDE, BLACK
PIVOT PIN SPRING - 302 STAINLESS STEEL, NATURAL
KICK OUT SPRING - 301 STAINLESS STEEL, PASSIVATED
O-RINGS - EPDM, BLACK
HASP - 316 STAINLESS STEEL, RESIN IMPREGNATED
HASP MOUNTING SCREW - STEEL, ZINC PLATE BRIGHT
TOOL OPERATED STUD - DIE CAST ZINC, BLACK POWDER COAT
- CRANK ASSEMBLY
CRANK LAMINATE - 304 STAINLESS STEEL, PASSIVATED
CRANK PIN - 300 STAINLESS STEEL, PASSIVATED
CRANK RIVET - STAINLESS STEEL, PASSIVATED
- BRACKET - DIE CAST ZINC, BLACK POWDER COATED
MOUNTING SCREWS - STEEL, ZINC PLATE BRIGHT