



## G6 Hinge

Position control · Detent

- Holds doors open without secondary mechanical support
- Detent holds door at 120° and 170°
- Can be opened to 180°

### Material and Finish

Acetal and nylon, black

### Performance Details

Radial load:

Max. static load: 130 N (30 lbf)

Average ultimate load:

970 N (220 lbf)

Axial load:

Max. static load: 130 N (30 lbf)

Average ultimate load:

1450 N (325 lbf)

Cycle life: 10,000 cycles

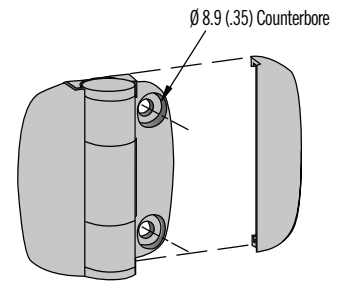
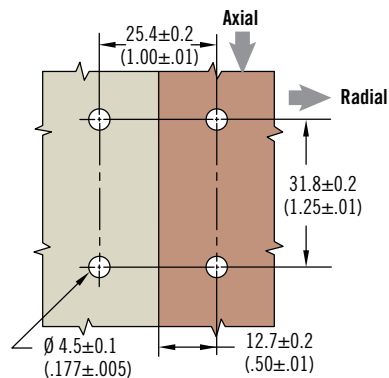
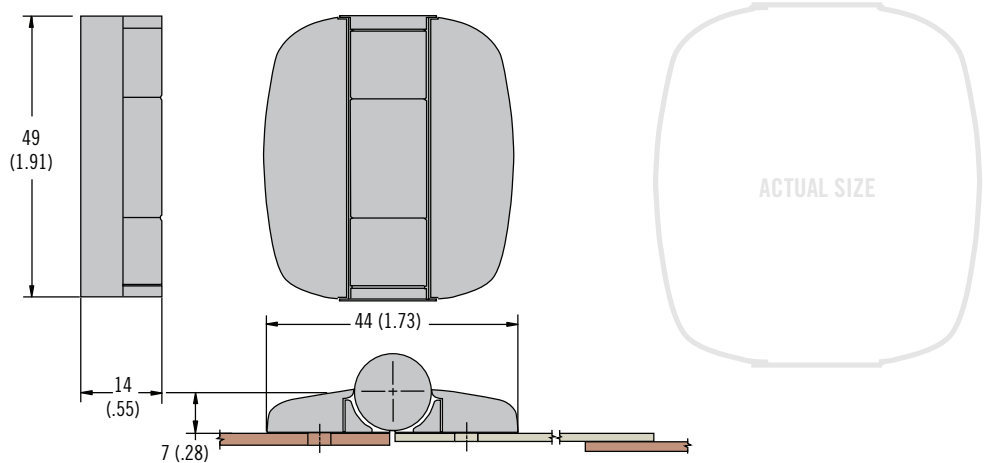
Operating temperature range:

-20 °C (0° F) to 80° C (180° F)

### Installation Notes

Screws not supplied

Hinge designed to accommodate M4 (No. 8) size Pan Head mounting hardware.



### Part Number

See table

Part Number	Detent Angle	Positioning Torque
G6-0-1	<p>Free swinging (no detents)</p>	~
G6-5-1	<p>170° 120°</p>	1.1 N·m (10 in·lbf)

Dimensions in millimeters (inch) unless otherwise stated