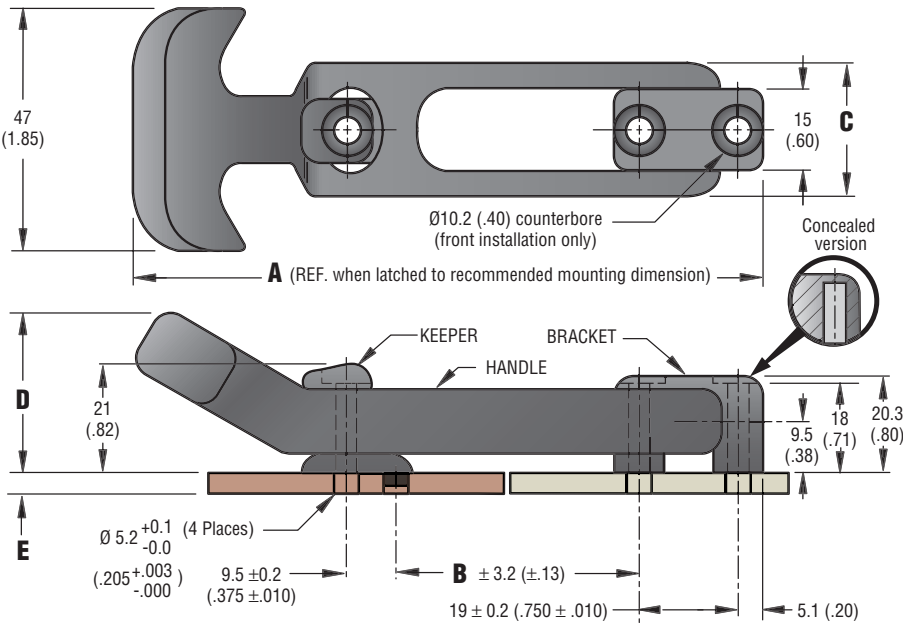


# Southco® F7 Draw Latch Pull

southco®

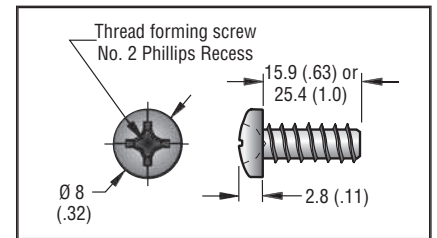
- Non-corrosive, non-conductive, UV-resistant materials
- Compensates for misalignment in 3 planes
- Three lengths • Absorbs and reduces vibration
- Front- or Concealed-installation
- Built-in drag keeps latch stationary when unlatched

Draw Latches



## Material and Finish

**HANDLE:** Thermoplastic elastomer, black  
**KEEPER and BRACKET:** Glass reinforced nylon, black  
**SCREW (thread forming):** 18-8 stainless steel, passivated



| PART NUMBERS |          |                    | Installation method        | DIMENSIONS              |            |           |             |           |
|--------------|----------|--------------------|----------------------------|-------------------------|------------|-----------|-------------|-----------|
| Latch        | Keeper   | Screws (3 per bag) |                            | E                       | A          | B         | C           | D         |
| F7-530 •     | F7-537 • | —                  | Front                      | —                       |            |           |             |           |
| F7-540 •     | F7-547 • | F7-548-3 •         | Concealed (thread forming) | up to 8.0 (.32)         | 112 (4.81) | 41 (1.6)  | 25.4 (1.00) | 31 (1.23) |
|              |          | F7-558-3 •         | Concealed (thread forming) | 8.1 (.32) to 17.5 (.69) |            |           |             |           |
| F7-630 •     | F7-537 • | —                  | Front                      | —                       |            |           |             |           |
| F7-640 •     | F7-547 • | F7-548-3 •         | Concealed (thread forming) | up to 8.0 (.32)         | 167 (6.6)  | 72 (2.83) | 32 (1.25)   | 29 (1.13) |
|              |          | F7-558-3 •         | Concealed (thread forming) | 8.1 (.32) to 17.5 (.69) |            |           |             |           |
| F7-730 •     | F7-537 • | —                  | Front                      | —                       |            |           |             |           |
| F7-740 •     | F7-547 • | F7-548-3 •         | Concealed (thread forming) | up to 8.0 (.32)         | 221 (8.7)  | 117 (4.6) | 32 (1.25)   | 29 (1.13) |
|              |          | F7-558-3 •         | Concealed (thread forming) | 8.1 (.32) to 17.5 (.69) |            |           |             |           |

• Products identified with this symbol are stocked subject to prior sale in one or more of our global locations. If unavailable from our facility nearest you, allow for shipping time from another facility.

## Installation

### Concealed hardware options

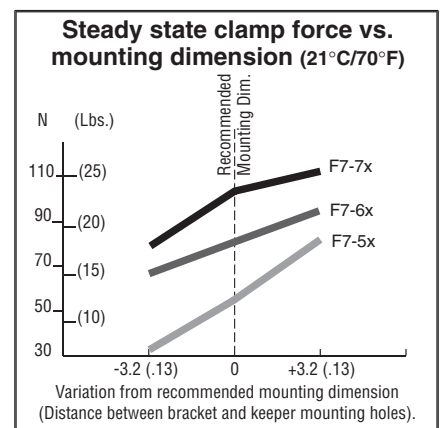
- Secure with three Southco screws, maximum tightening torque is 2.0 N•m (18 in•lbs.)

### Front installation option

- use three 10-24 or M5 screws or use  $\text{Ø} 3/16$  rivets, (not supplied)

## Flammability Rating: UL94 - HB

(To assist in your product selection; samples are available for your evaluation.)



millimeter (inch)  
 millimeter (inch)

Dimensions without tolerances are for reference only.

# Southco® Draw Latches

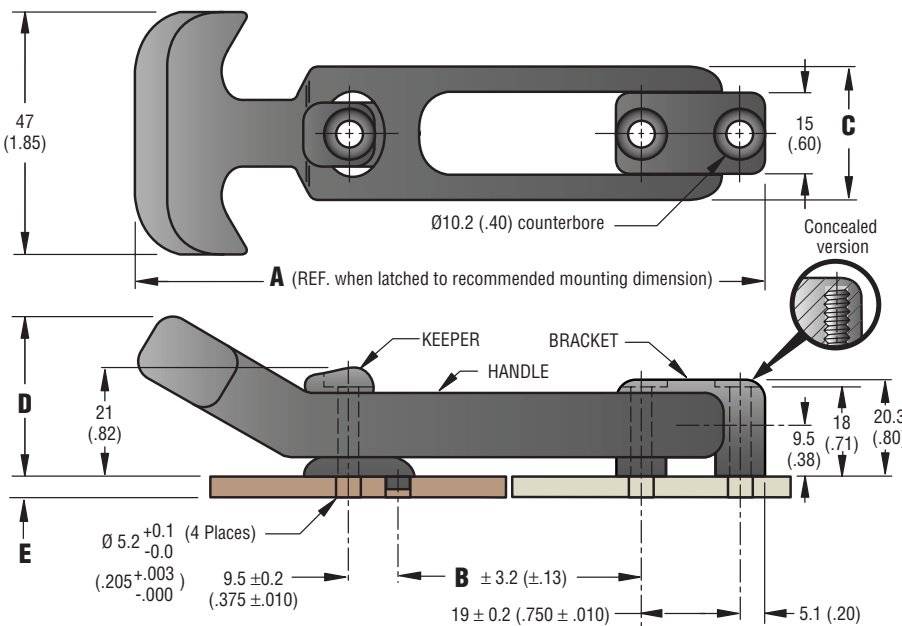
## Flexible T-handle Style

- Non-corrosive, non-conductive, UV-resistant materials
- Compensates for misalignment in 3 planes
- Absorbs and reduces vibration
- Three lengths
- Front- or Concealed-installation
- Built-in drag keeps latch stationary when unlatched



### Material and Finish

**HANDLE:** Thermoplastic elastomer, black.  
**KEEPER and BRACKET:** Glass reinforced nylon, black.  
**SCREW (thread forming):** 18-8 Stainless steel, passivated.



### Product Strength Guidelines

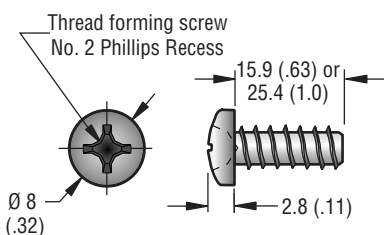
(To assist in your product selection; samples are available for your evaluation.)

Flammability Rating: UL94 - HB

## Installation

### Concealed hardware options

† using thread forming screws: secure with three Southco screws, (supplied) maximum tightening torque is 2.0 N•m (18 in•lbs.)



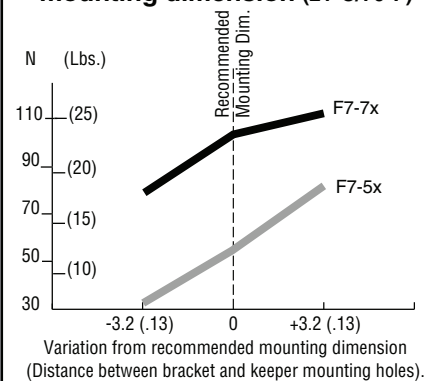
- using 10-24 or M5 machine screws: use three screws, (not supplied) screw length = panel thickness + 12.7 (.50)

### Front installation option

- use three 10-24 or M5 screws or use  $\text{Ø} 3/16$  rivets, (not supplied)

| DIMENSIONS              |           |             |           |                         | Installation method     | PART NUMBERS |
|-------------------------|-----------|-------------|-----------|-------------------------|-------------------------|--------------|
| A                       | B         | C           | D         | E                       |                         |              |
| 112 (4.81)              | 41 (1.6)  | 25.4 (1.00) | 31 (1.23) | —                       | Concealed (10-24 Thd)   | F7-51 •      |
|                         |           |             |           | —                       | Concealed (M5 Thd)      | F7-52 •      |
|                         |           |             |           | —                       | Front                   | F7-53 •      |
|                         |           |             |           | up to 8.0 (.32)         | Concealed (thd forming) | F7-54 †      |
| 221 (8.7)               | 117 (4.6) | 32 (1.25)   | 29 (1.13) | 8.1 (.32) to 17.5 (.69) | Concealed (thd forming) | F7-55 †      |
|                         |           |             |           | —                       | Concealed (10-24 Thd)   | F7-71 •      |
|                         |           |             |           | —                       | Concealed (M5 Thd)      | F7-72 •      |
|                         |           |             |           | —                       | Front                   | F7-73 •      |
|                         |           |             |           | up to 8.0 (.32)         | Concealed (thd forming) | F7-74 †      |
| 8.1 (.32) to 17.5 (.69) | —         | —           | —         | —                       | Concealed (thd forming) | F7-75 †      |

### Steady state clamp force vs. mounting dimension (21°C/70°F)



millimeter (inch)  
 millimeter (inch)

Dimensions without tolerances are for reference only.

Draw Latches  
 Rubber/Elastomer