

F6 Hinge

Removable style · Concealed · Heavy-duty

- High strength and durability
- Allows door removal without using tools
- Retractable pin version resists vibration and prevents pin loss

Material and Finish

Steel, zinc plated or stainless steel, natural

Performance Details

Steel

Radial load:

Max. static load: 1000 N (225 lbf)

Average ultimate load:

2100 N (472 lbf)

Axial load:

Max. static load: 2900 N (650 lbf)

Average ultimate load:

4900 N (1100 lbf)

Stainless Steel

Radial load:

Max. static load: 1300 N (292 lbf)

Average ultimate load:

2800 N (629 lbf)

Axial load:

Max. static load: 3600 N (809 lbf)

Average ultimate load:

6000 N (1350 lbf)

Operating temperature range:

-40° C (-40° F) to 85° C (185° F)

Installation Notes

Order separately 1 door leaf and 1 frame leaf for a complete assembly

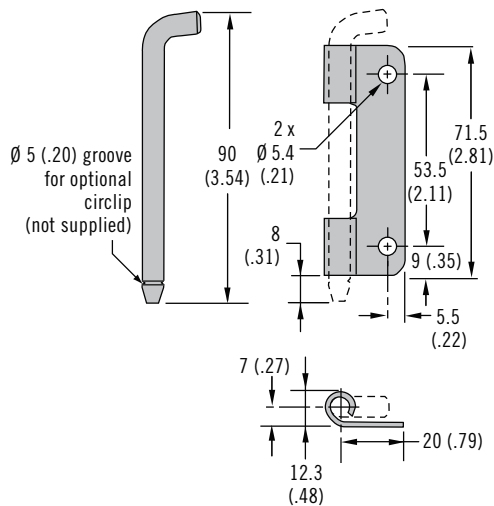
Screws not supplied.

Hinge Leaves may be fastened to the door and the frame by: M5 (No. 10) hardware (machine screws are recommended) or by welding.

Part Number

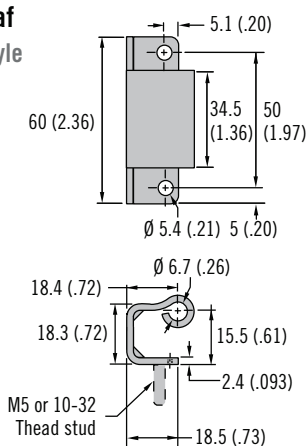
See table

Door Leaf Removable Pin Style



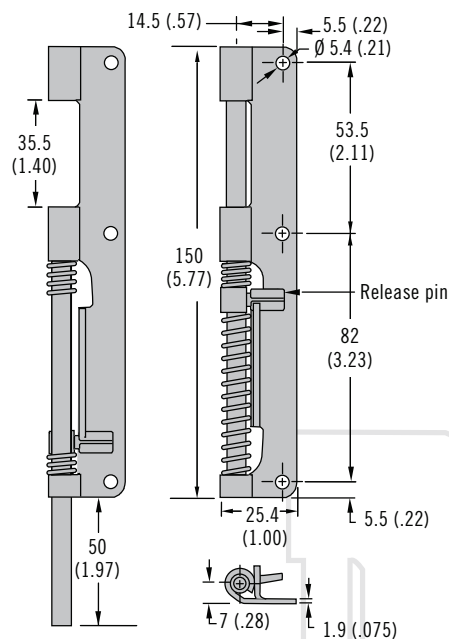
Part Number		
Styles	Material	
	Steel	Stainless steel
Removable pin	F6-946	F6-946-5
Retractable pin type A	~	F6-941-5
Retractable pin type B	~	F6-942-5

Frame Leaf Formed Style

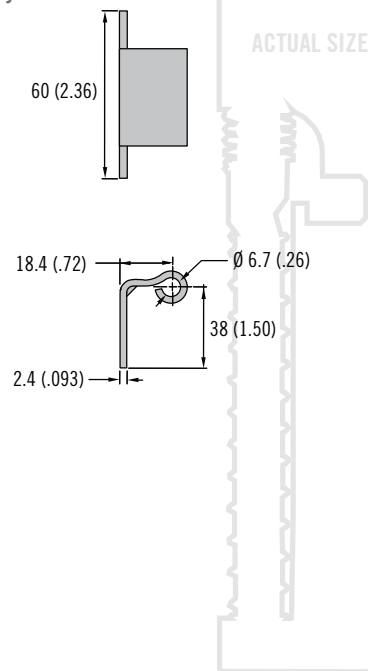


Part Number			
Style	Installation	Material	
		Steel	Stainless steel
Formed	Thru hole	F6-905	F6-905-5
Formed	M5 thread stud	F6-908	F6-908-5
Formed	10-32 thread stud	F6-907	F6-907-5
Flat	Weld	F6-904	F6-904-5

Retractable Pin Style Type A shown, Type B mirror image

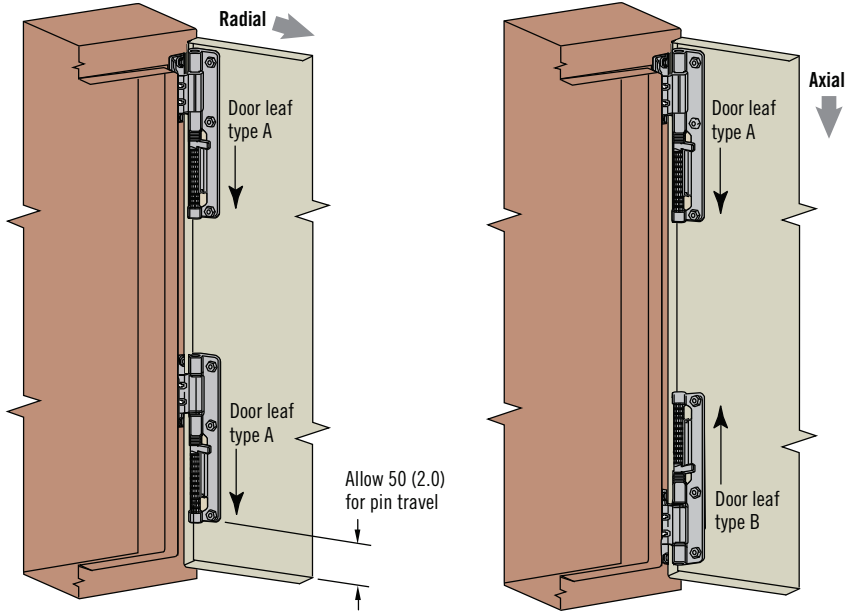


Flat Style



Dimensions in millimeters (inch) unless otherwise stated

Formed Frame Leaf



Installation

Typical door and frame installation using formed frame leaf

Typical door and frame installation using flat frame leaf

