

F6 Hinge

Removable style · Concealed

- Hinge and hardware are concealed
- Allows for quick easy door removal
- Three styles

Material and Finish

Steel, zinc plated, or stainless steel

Performance Details

Steel

Radial load:

Max. static load: 300 N (65 lbf)

Axial load:

Max. static load: 500 N (112 lbf)

Stainless Steel

Radial load:

Max. static load: 300 N (65 lbf)

Axial load:

Max. static load: 800 N (180 lbf)

Installation Notes

1. Select frame and door leaf separately for bulk packaging.
2. Select assembly for individual packaging (consists of 1 frame leaf and door leaf per bag)

Screws not supplied.

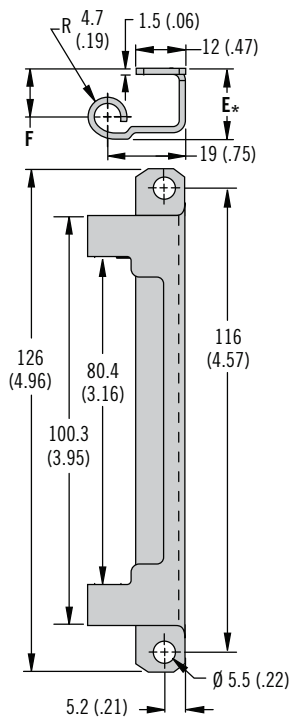
Use M5 (No. 10) hardware

Machine screws are recommended for mounting frame leaf

Part Number

See table

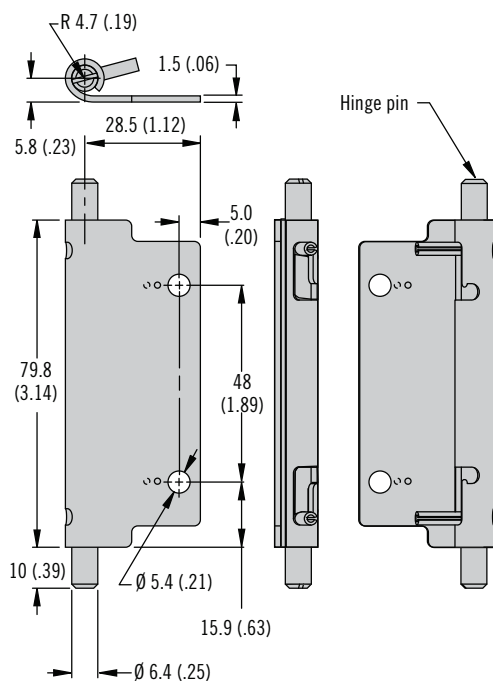
Frame Leaf



| Frame Leaf Part Number | | | | |
|------------------------|------------|------------|--------|-----------------|
| Series | E | F | Steel | Stainless Steel |
| 1 | 17 (.67) | 11.8 (.47) | F6-901 | F6-901-1 |
| 2 | 20 (.79) | 14.8 (.58) | F6-902 | F6-902-1 |
| 3 | 23.4 (.92) | 18.2 (.72) | F6-903 | F6-903-1 |

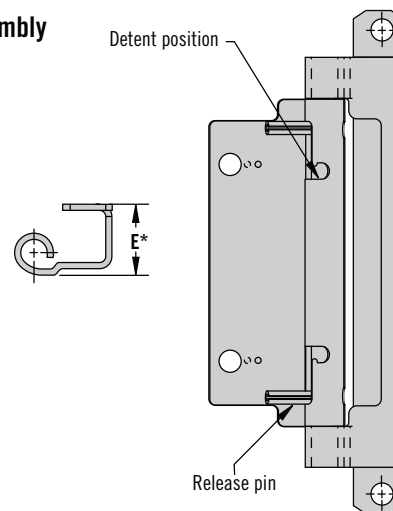
| Part Number Assembled | | | | |
|-----------------------|------------|------------|-------|-----------------|
| Series | Assembly | | Steel | Stainless Steel |
| | E | F | | |
| 1 | 17 (.67) | 11.8 (.47) | F6-1 | F6-1-1 |
| 2 | 20 (.79) | 14.8 (.58) | F6-2 | F6-2-1 |
| 3 | 23.4 (.92) | 18.2 (.72) | F6-3 | F6-3-1 |

Door Leaf

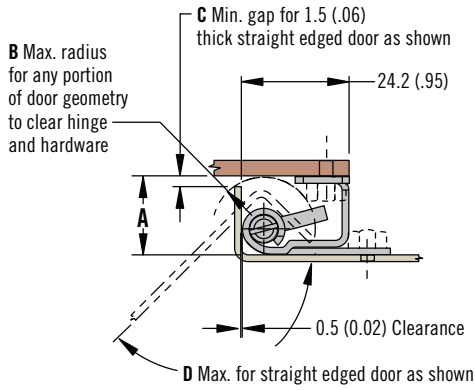


| Door Leaf Part Number | | |
|-----------------------|-------|-----------------|
| Door Leaf | Steel | Stainless Steel |
| | | F6-940 |

Assembly



Dimensions in millimeters (inch) unless otherwise stated



Hinges may be fastened to door and frame by:

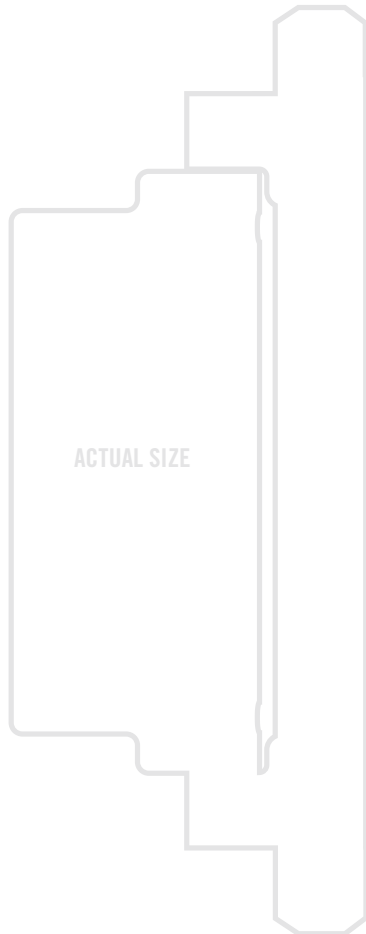
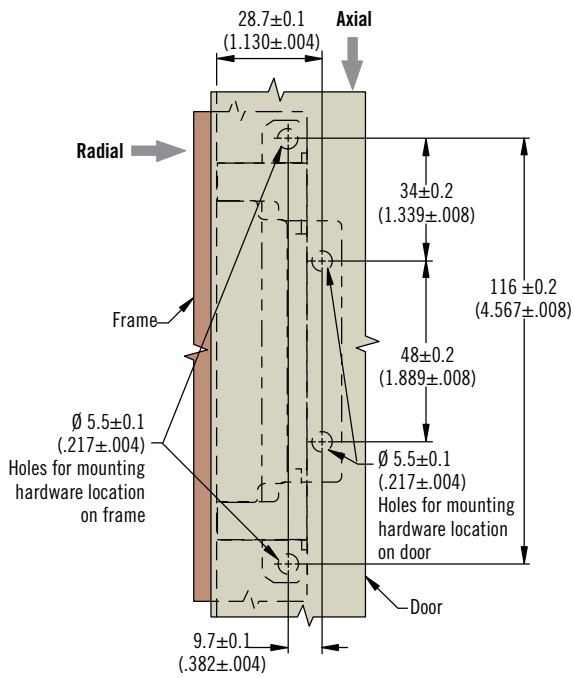
- M5 (No. 10) hardware. Machine screws are recommended for mounting frame leaf.
- *Hex jam nuts. Verify clearance with door edge. Depending on jam nut orientation, full rotation may be obstructed.
- Welding.

| Series | Panel Preparations Dimensions | | | |
|--------|-------------------------------|------------|-----------|------|
| | A | B | C | D |
| 1 | 17.6 (.69) | 10.9 (.43) | 3.2 (.13) | 132° |
| 2 | 20.6 (.81) | 12.7 (.50) | 3.9 (.15) | 125° |
| 3 | 24 (.95) | 15.3 (.60) | 4.4 (.17) | 118° |

Notes

Mounting:

* Select the frame leaf with a value of **E** best suited to the configuration of your door. The dimension **E** + 0.6 (.02) = the distance from the outside surface of your frame to the inside surface of your door.



Additional Mounting Options

