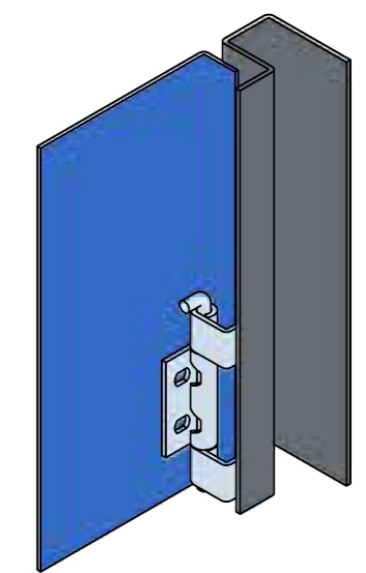
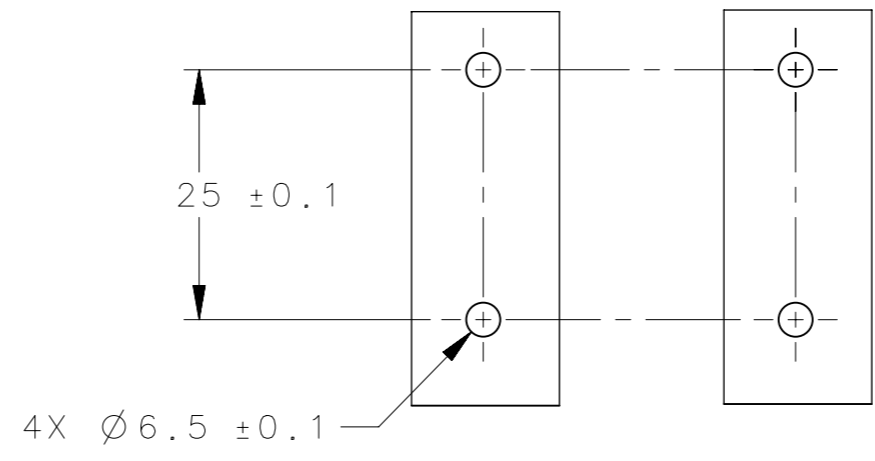
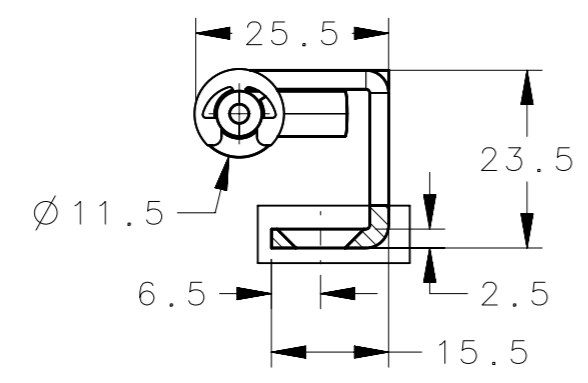
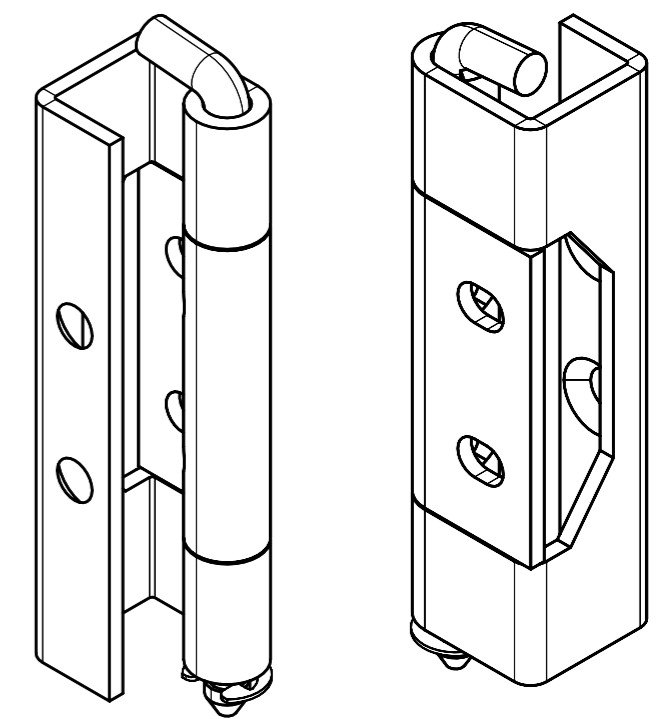
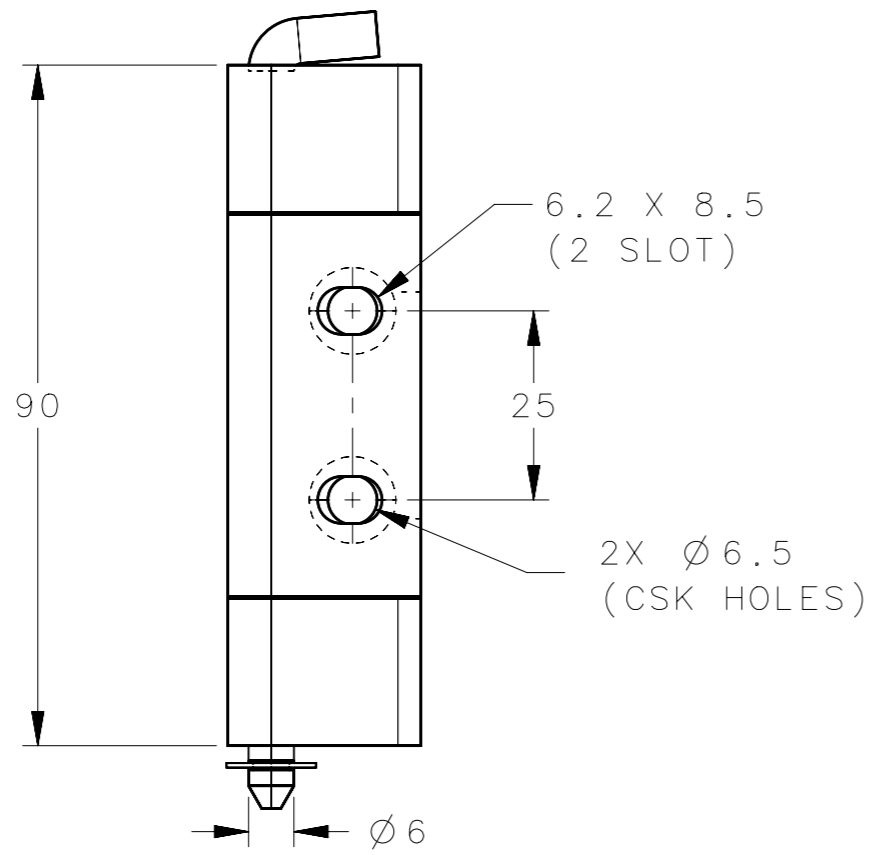


REVISION HISTORY			
REV	DATE	BY	DESCRIPTION
D	07OCT2025	HPT/SAK	PRN: P2025-1654



PANEL PREPRATION

- NOTES: -
1. MOUNTING SCREWS NOT SUPPLIED.
 2. OPENING ANGLE 120°.

F6-DHIM-120	CORNER & REMOVABLE HINGES	MS	BLUE ZINC PLATED
F6-DHIM-120-SS	CORNER & REMOVABLE HINGES	SS-304	ELECTRO POLISHING
SOUTHCO PART NUMBER	DESCRIPTION	MATERIAL	FINISH
CPB NUMBER 2024-0167	THIRD ANGLE PROJECTION	 CONNECT · CREATE · INNOVATE	
	MILLIMETERS [IN]		
	TOLERANCES UNLESS OTHERWISE NOTED	DESCRIPTION CORNER & REMOVABLE HINGES	
	ALL DIMENSIONS WITHOUT TOLERANCES ARE FOR REFERENCE ONLY.	SIZE A3	SYSTEM NX
PROPRIETARY ITEM EXCEPT FOR USES EXPRESSLY GRANTED IN WRITING, INFORMATION DISCLOSED HEREON IS CONFIDENTIAL AND ALL RIGHTS, PATENT AND OTHERWISE, ARE RESERVED BY SOUTHCO, INC.	PER ASME Y14.5M-2009	DWG NO. J-F6-DHIM-120-SS	SCALE 1:1
		DRAWN BY SBK	DATE 17APR2024
			SHEET 1 OF 1