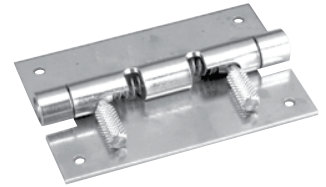
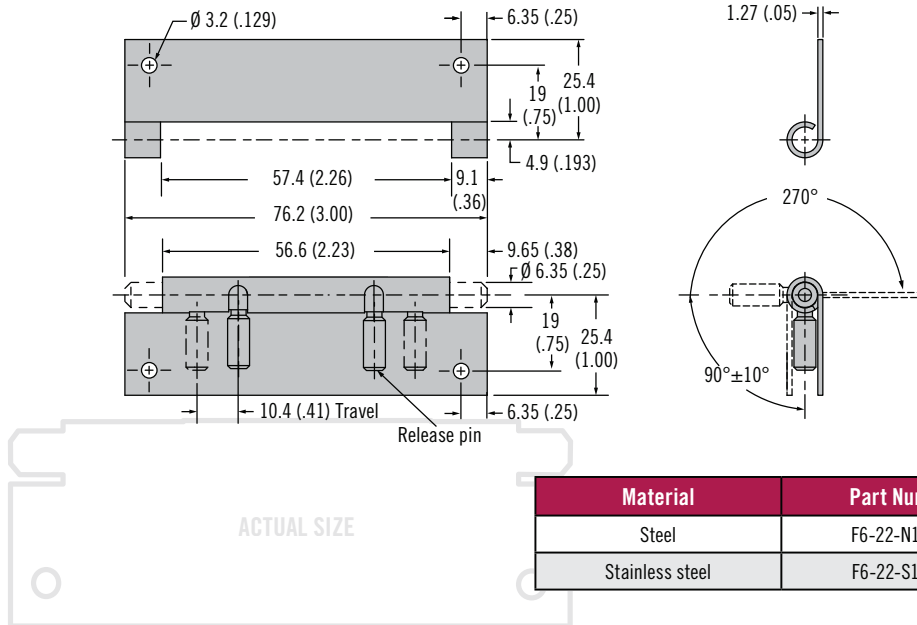


## F6 Hinge Door removal



449



- Easy to install and operate
- Locking feature for simple removal and replacement

### Material and Finish

Steel, zinc plated or stainless steel

### Part Number

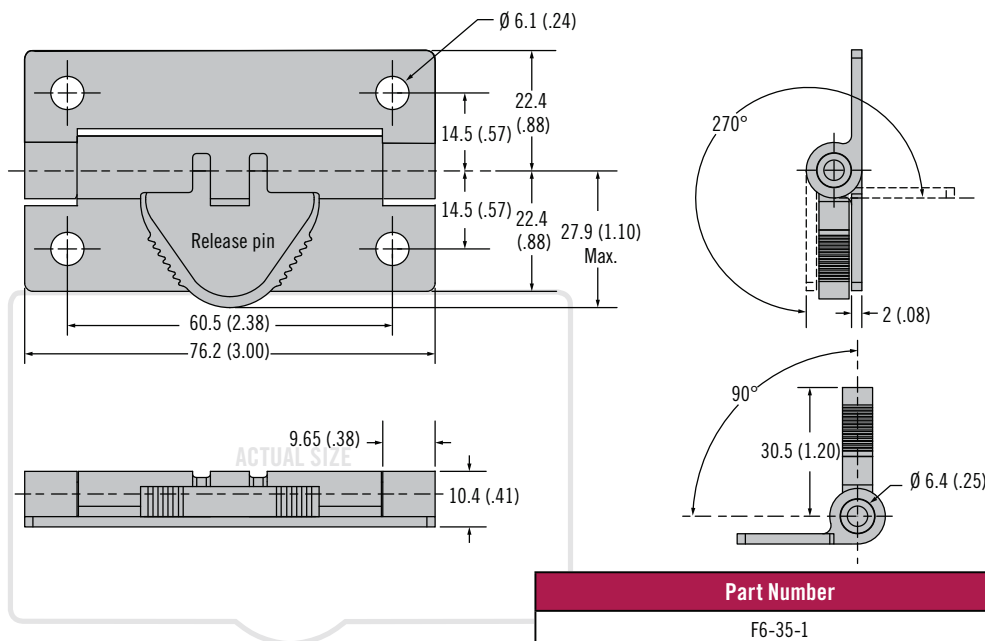
See table

Other options available. For complete details on variety, part numbers, installation and specification, go to



[www.southco.com/F6](http://www.southco.com/F6)

## F6 Hinge Door removal



- Light-weight
- Made from non-conducting, non-corrosive materials

### Material and Finish

ABS, nylon and acetal, black

### Part Number

See table

Other options available. For complete details on variety, part numbers, installation and specification, go to



[www.southco.com/F6](http://www.southco.com/F6)