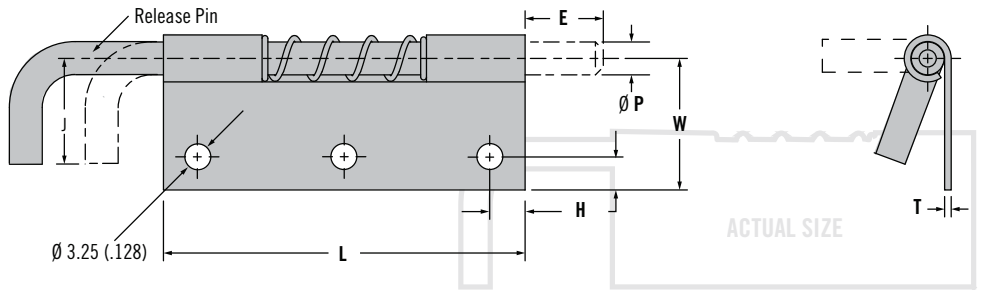




F6 Hinge Door removal

Material and Finish

Steel, zinc plated or stainless steel



[S] Size	L	E	H	J	P	T	W
3 - 4	22.2 (.88)	4 (.16)	4.0 (.16)	10 (.39)	3.0 (.12)	0.8 (.03)	13 (.50)
7 - 8	34.9 (1.38)	6.4 (.25)	4.8 (.19)	13 (.50)	4.0 (.15)	1.0 (.04)	19 (.75)
11 - 12	50.8 (2.00)	9.5 (.38)	6.4 (.25)	16 (.63)	4.5 (.18)	1.3 (.05)	22 (.87)
15 - 16	69.9 (2.75)	12.7 (.50)	6.4 (.25)	19 (.75)	6.4 (.25)	1.5 (.06)	25.5 (1.00)

Part Number Selection

Other options available. For complete details on variety, part numbers, installation and specification, go to



www.southco.com/F6

[M] Material and Finish

- N Steel, zinc plated
- S Stainless steel

[S] Size

- 3 22 (0.87) Left Hand
- 4 22 (0.87) Right Hand
- 7 35 (1.38) Left Hand
- 8 35 (1.38) Right Hand
- 11 51 (2.00) Left Hand
- 12 51 (2.00) Right Hand
- 15 70 (2.75) Left Hand
- 16 70 (2.75) Right Hand (shown)

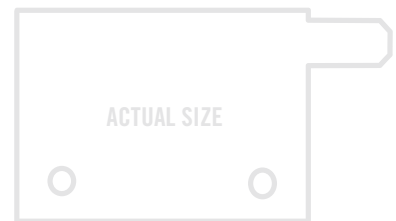
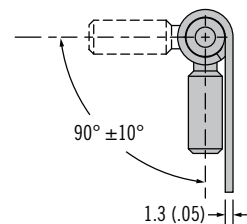
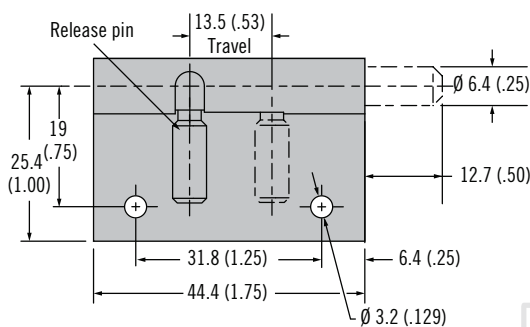
F6 - 23 - [M] [S] AW



F6 Hinge Door removal

Material and Finish

Steel, zinc plated or stainless steel



Part Number

See table

	Part Number	
Handling	Steel	Stainless Steel
Right (shown)	F6-20-N1A50WR	F6-20-S1A50WR
Left	F6-20-N1A50WL	F6-20-S1A50WL

Other options available. For complete details on variety, part numbers, installation and specification, go to



www.southco.com/F6

Dimensions in millimeters (inch) unless otherwise stated