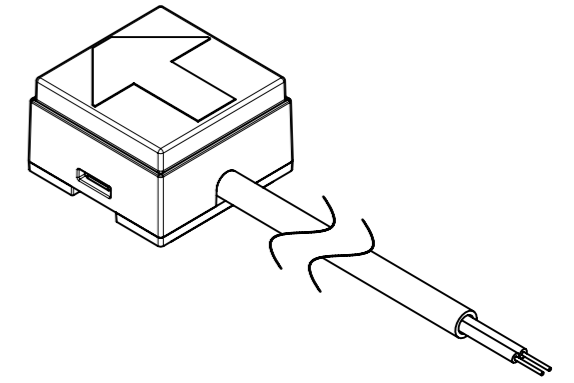


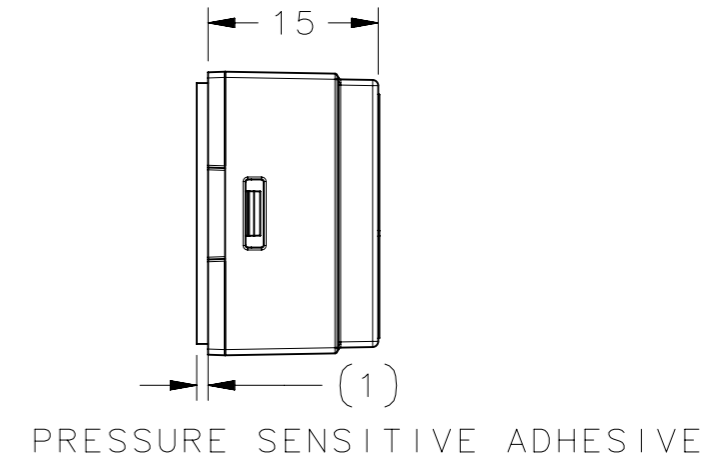
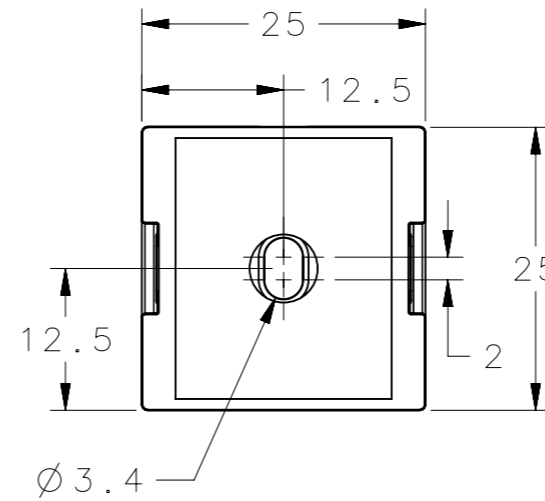
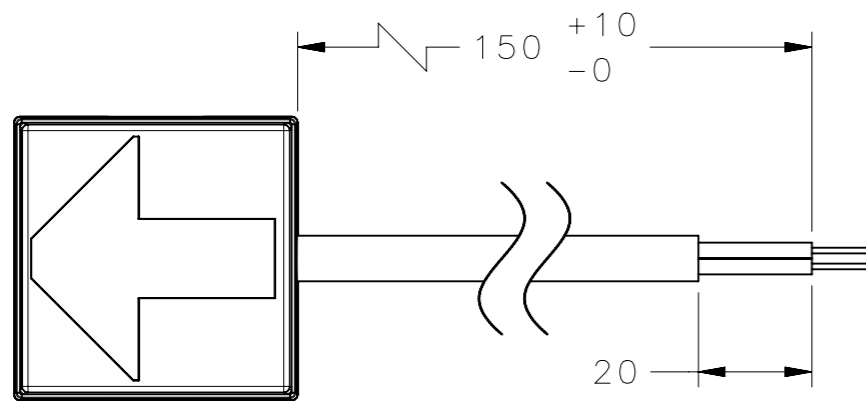
PHYSICAL AND MECHANICAL NOTES:

- A. PRODUCT DESCRIPTION: MAGNETICALLY OPERATED NORMALLY OPEN PROXIMITY SWITCH
- B. MATERIAL
  - HOUSING: POLYCARBONATE, CLEAR, UL94 V-0 RATED
  - BASE PLATE: PC/ABS, BLACK, UL94 V-0 RATED
  - PRESSURE SENSITIVE ADHESIVE: ACRYLIC ADHESIVE WITH FOAM CORE
  - WIRE: UL 1007, 26AWG (7/32), PVC INSULATION
- C. CONNECTOR TYPE
  - STRIPPED AND TINNED
- D. ENVIRONMENTAL
  - ALL ITEMS COMPLY WITH RoHS DIRECTIVE AND REACH REGULATION
  - IP67 RATED

REVISION HISTORY			
REV	DATE	BY	DESCRIPTION
C	16DEC2021	ZAM/MLL	PRN: P2021-1200



SCALE 1:1



AVAILABLE PART NUMBERS	
PART NUMBER	CONNECTOR TYPE
ES-01-0200	STRIPPED AND TINNED
CPB NUMBER 2019-1118	THIRD ANGLE PROJECTION
	MILLIMETERS [IN]
SURFACE AREA	TOLERANCES UNLESS OTHERWISE NOTED
VOLUME	ALL DIMENSIONS WITHOUT TOLERANCES ARE FOR REFERENCE ONLY.
PROPRIETARY ITEM <small>EXCEPT FOR USES EXPRESSLY GRANTED IN WRITING, INFORMATION DISCLOSED HEREON IS CONFIDENTIAL AND ALL RIGHTS, PATENT AND OTHERWISE, ARE RESERVED BY SOUTHCO, INC.</small>	DESCRIPTION ELECTRONIC ACCESS SOLUTION UNIVERSAL LATCH SENSOR NORMALLY OPEN
PER ASME Y14.5M-1994	SIZE A3 SYSTEM NX DWG NO. J-ES-01-2
	DRAWN BY ZAM DATE 21APR2021 SCALE 1.5:1 SHEET 1 OF 4

ELECTRICAL NOTES AND SPECIFICATIONS

REVISION HISTORY			
REV	DATE	BY	DESCRIPTION
C	16DEC2021	ZAM/MLL	PRN: P2021-1200

**CAUTION:** SWITCH HAS NO INHERENT PROTECTION. SUFFICIENT CIRCUIT PROTECTION MUST BE PROVIDED TO PREVENT DAMAGE TO PRODUCT.

**CAUTION:** DO NOT CONNECT POWER ACROSS SWITCH. POWER TO GROUND SHORT WILL RESULT.

TABLE 1: ELECTRICAL AND PERFORMANCE CHARACTERISTICS (@ 25 °C)

PARAMETER	UNITS	MIN	NOM	MAX
SWITCHED CURRENT*	A	-	-	0.500
SWITCHED POWER	W	-	-	10
SWITCHED VOLTAGE (DC)	VDC	-	-	200
SWITCHED VOLTAGE (AC)	VAC	-	-	140
BREAKDOWN VOLTAGE	V <sub>max</sub>	200	-	-

TABLE 2: PINOUT

WIRE COLOR	FUNCTION
BLACK	COMMON
BLACK	NORMALLY OPEN

TABLE 3: ES-1-0200 UNIT STATUS WHEN OPERATED WITH MAGNET

	CIRCUIT STATUS	LATCH STATUS
MAGNET IN RANGE*	CLOSED CIRCUIT	LATCHED
MAGNET OUT OF RANGE*	OPEN CIRCUIT	UNLATCHED

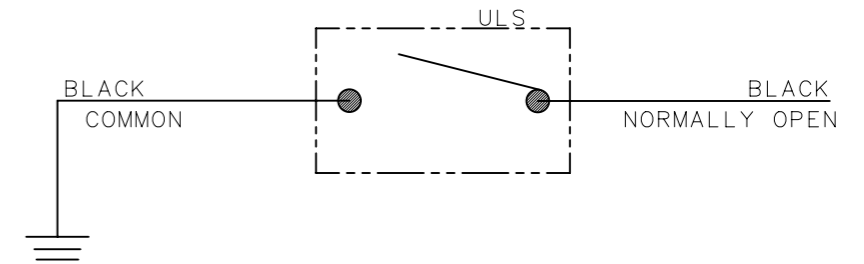
\* - SEE NOTE BELOW

TABLE 4: OPERATING TEMPERATURE

PARAMETER	UNITS	MIN	NOM	MAX
OPERATING TEMPERATURE	C	-40	-	80

NOTE:

- SWITCHED CURRENT WAS OBTAINED WITH 1KOHM RESISTOR IN LINE WITH SWITCH
- MAGNET IN RANGE REFERS TO THE MAGNET BEING WITHIN THE ACTIVATION RANGE OF THE SWITCH.
- MAGNET OUT OF RANGE REFERS TO THE MAGNET BEING OUTSIDE OF THE ACTIVATION RANGE OF THE SWITCH.
- ACTIVATION RANGE SHOWN REPRESENTS INSTALLATION ON STEEL SURFACE.
- ALL DATA COLLECTED AT AMBIENT TEMPERATURES UNLESS OTHERWISE NOTED.

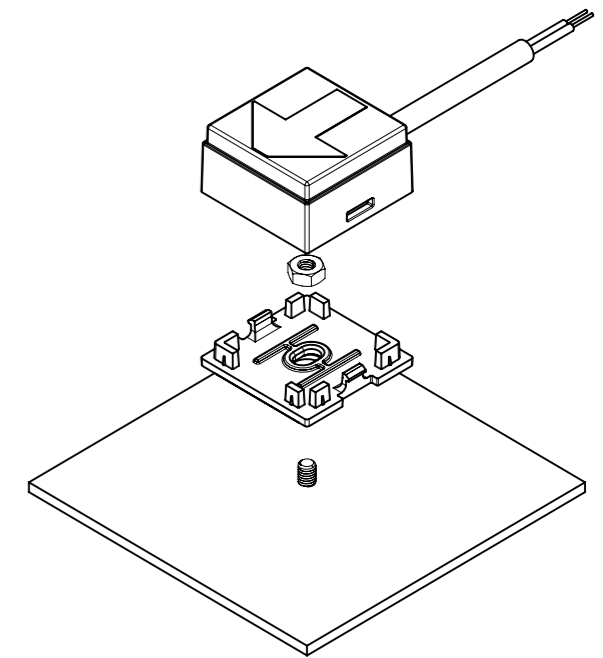


CPB NUMBER 2019-1118	THIRD ANGLE PROJECTION	<b>southco</b> <sup>®</sup> CONNECT • CREATE • INNOVATE	
	MILLIMETERS [IN]		
SURFACE AREA	TOLERANCES UNLESS OTHERWISE NOTED	DESCRIPTION ELECTRONIC ACCESS SOLUTION UNIVERSAL LATCH SENSOR NORMALLY OPEN	
VOLUME	ALL DIMENSIONS WITHOUT TOLERANCES ARE FOR REFERENCE ONLY.	SIZE A3	SYSTEM NX
PROPRIETARY ITEM <small>EXCEPT FOR USES EXPRESSLY GRANTED IN WRITING, INFORMATION DISCLOSED HEREON IS CONFIDENTIAL AND ALL RIGHTS, PATENT AND OTHERWISE, ARE RESERVED BY SOUTHCO, INC.</small>	PER ASME Y14.5M-1994	DWG NO. J-ES-01-2	
		DRAWN BY ZAM	DATE 21APR2021
		SCALE 1:1	SHEET 2 OF 4

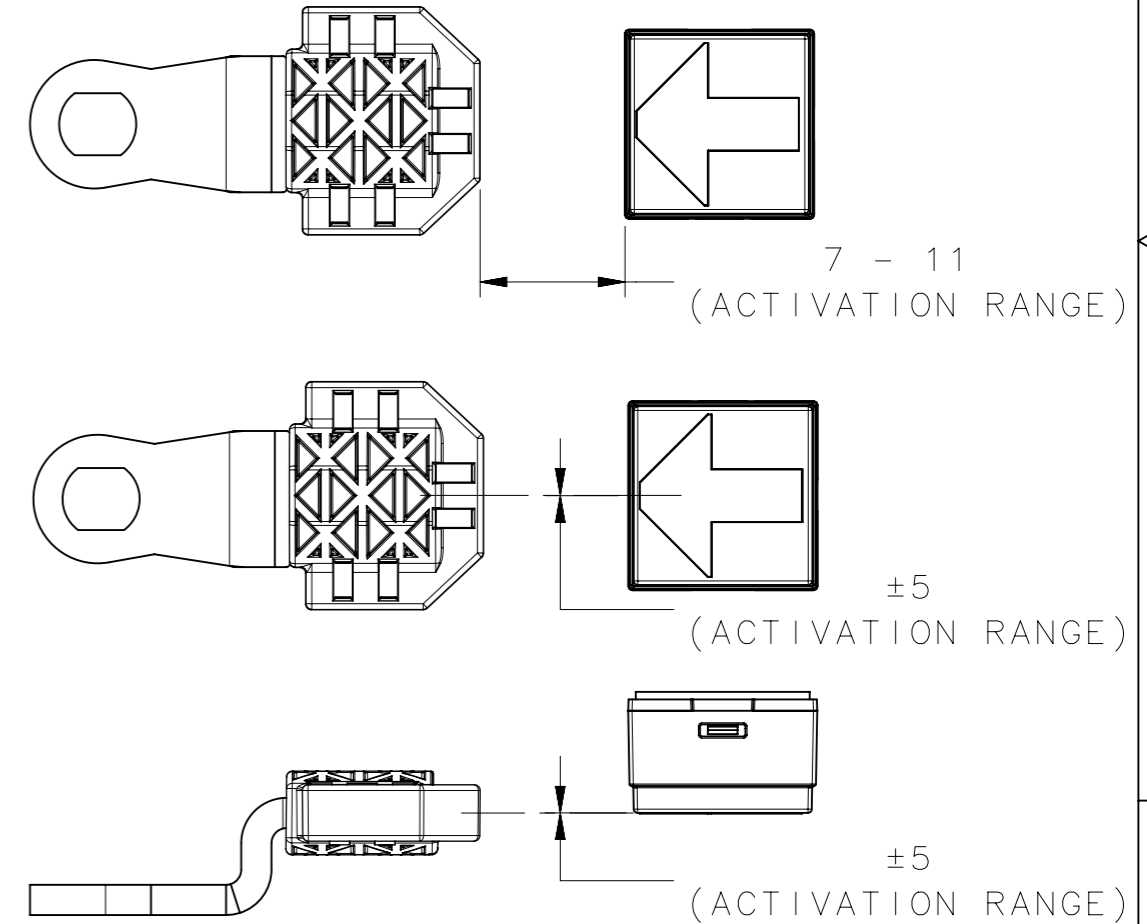
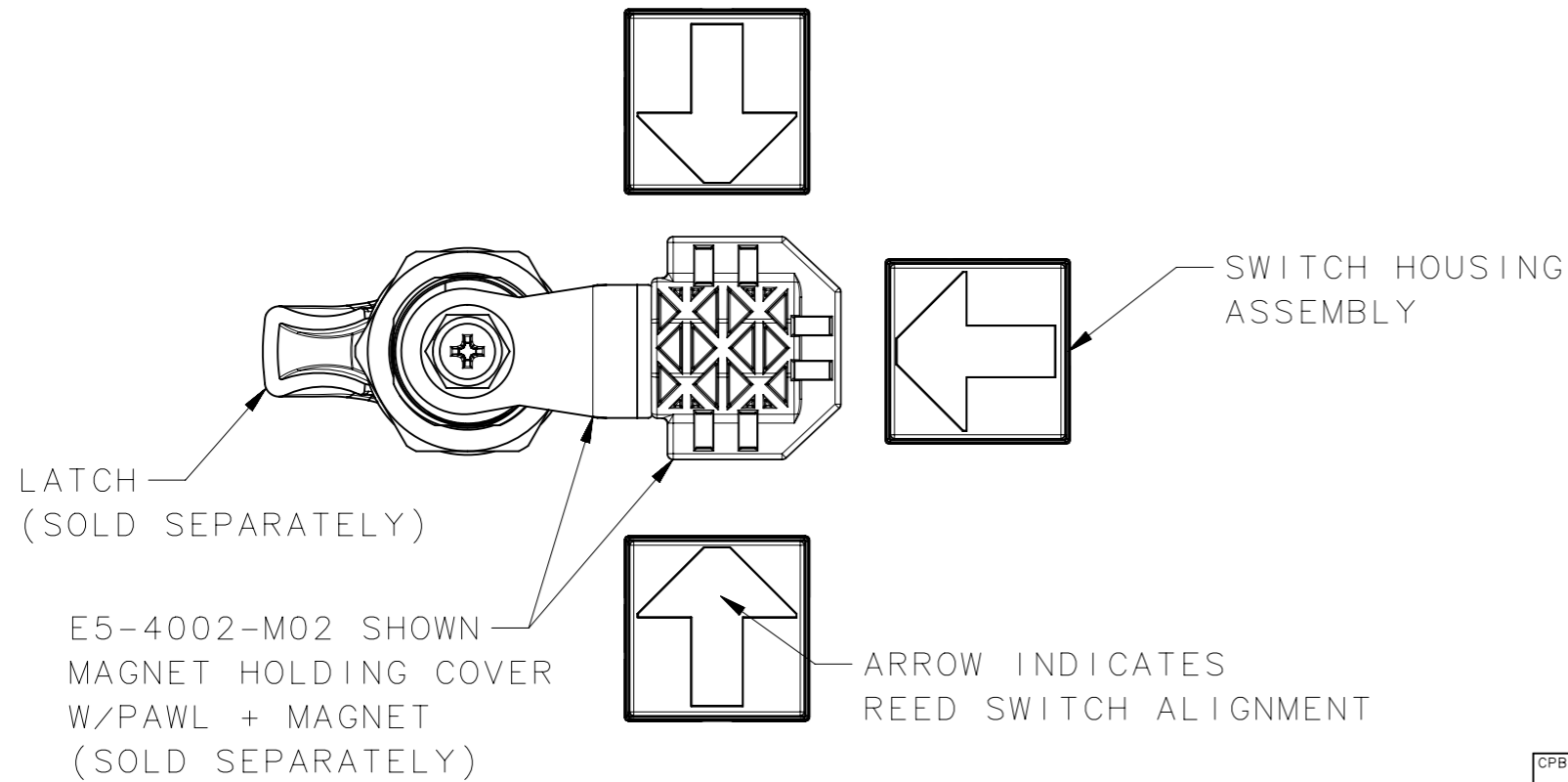
ASSEMBLY NOTES AND INSTRUCTIONS:

- E. PERFORMANCE MAY VARY WITH APPLICATION CONDITIONS.
- F. INSTALLATION IN PROXIMITY TO EXTERNAL MAGNETIC FIELDS OR MATERIALS WITH HIGH MAGNETIC PERMEABILITY WILL AFFECT PERFORMANCE AND ACTUATION RANGE.
- G. PRESSURE SENSITIVE ADHESIVE IS PRE-INSTALLED FOR MOUNTING.
- H. THE MOUNTING SLOT CAN BE USED WITH AN M3 OR #4-40 SCREW OR STUD. A TRUSS, ROUND, OR PAN HEAD SCREW IS PREFERRED. AN M3 OR #4-40 THIN NUT CAN BE USED TO SECURE SCREW/STUD TO MOUNTING PLATE. MOUNTING SCREW, STUD, AND NUT ARE NOT INCLUDED. MAXIMUM ALLOWABLE INSTALL TORQUE, 22.5N-cm [2 in-lbs].
- I. ENSURE MOUNTING SURFACE IS CLEAN BEFORE SECURING TAPE.
- J. ENSURE SENSOR IS PROPERLY POSITIONED AND ALIGNED WITH MAGNET BEFORE SECURING TAPE. ARROW ON UNIT HOUSING POINTS TO LOCATION OF INTERNAL REED SWITCH.
- K. REMOVE BACKING FROM TAPE TO EXPOSE ADHESIVE SURFACE. LOCATE AND ATTACH BACK PLATE IN DESIRED LOCATION.
- L. PRESS BACK PLATE AND TAPE INTO POSITION TO ACTIVATE ADHESIVE.
- M. OPTIONALLY SECURE IN PLACE WITH SCREW OR NUT.
- N. ALIGN TOP HOUSING WITH BACK PLATE AND PUSH ON UNTIL FULLY SEATED.

REVISION HISTORY			
REV	DATE	BY	DESCRIPTION
C	16DEC2021	ZAM/MLL	PRN: P2021-1200



POSSIBLE MOUNTING ORIENTATIONS



NOTE: MAGNET SPECIFICATIONS  
 - GRADE: N42  
 - SIZE: 12.7 x 4.76 x 4.76mm

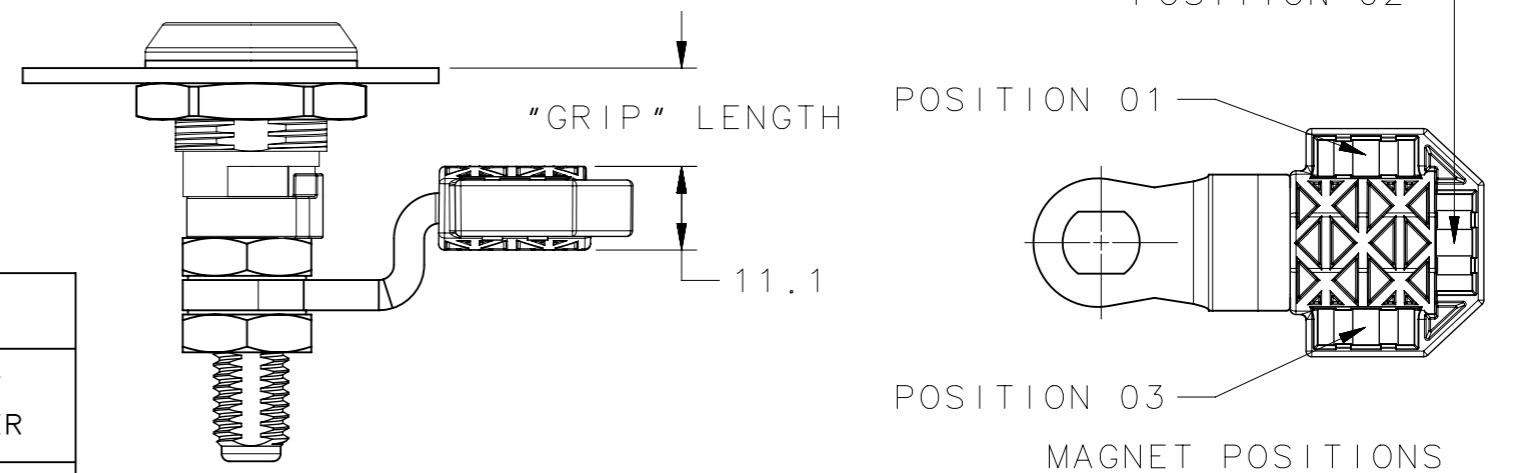
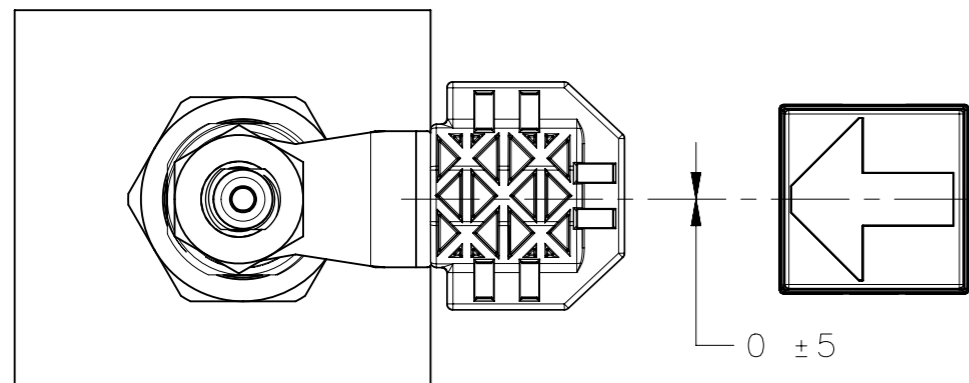
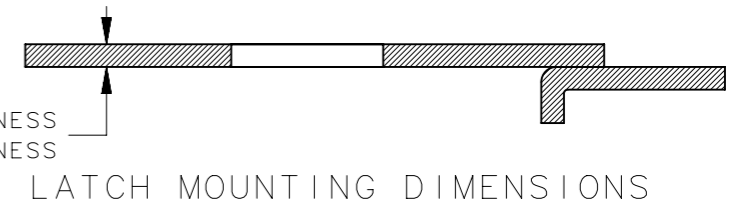
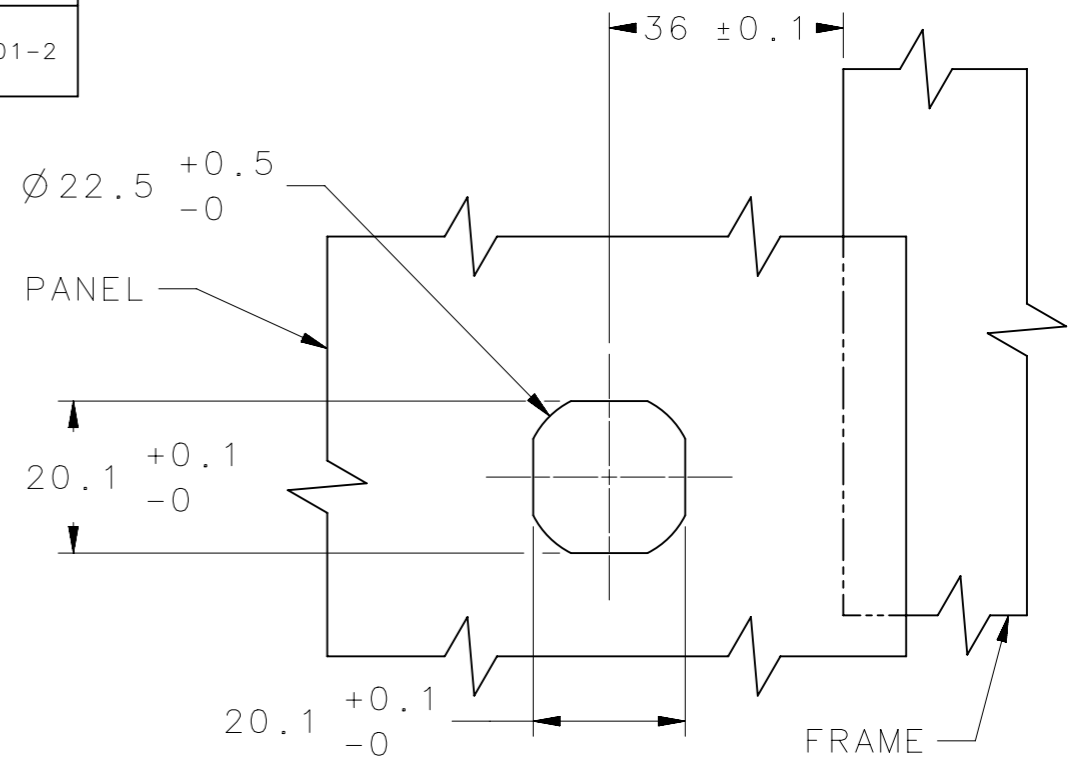
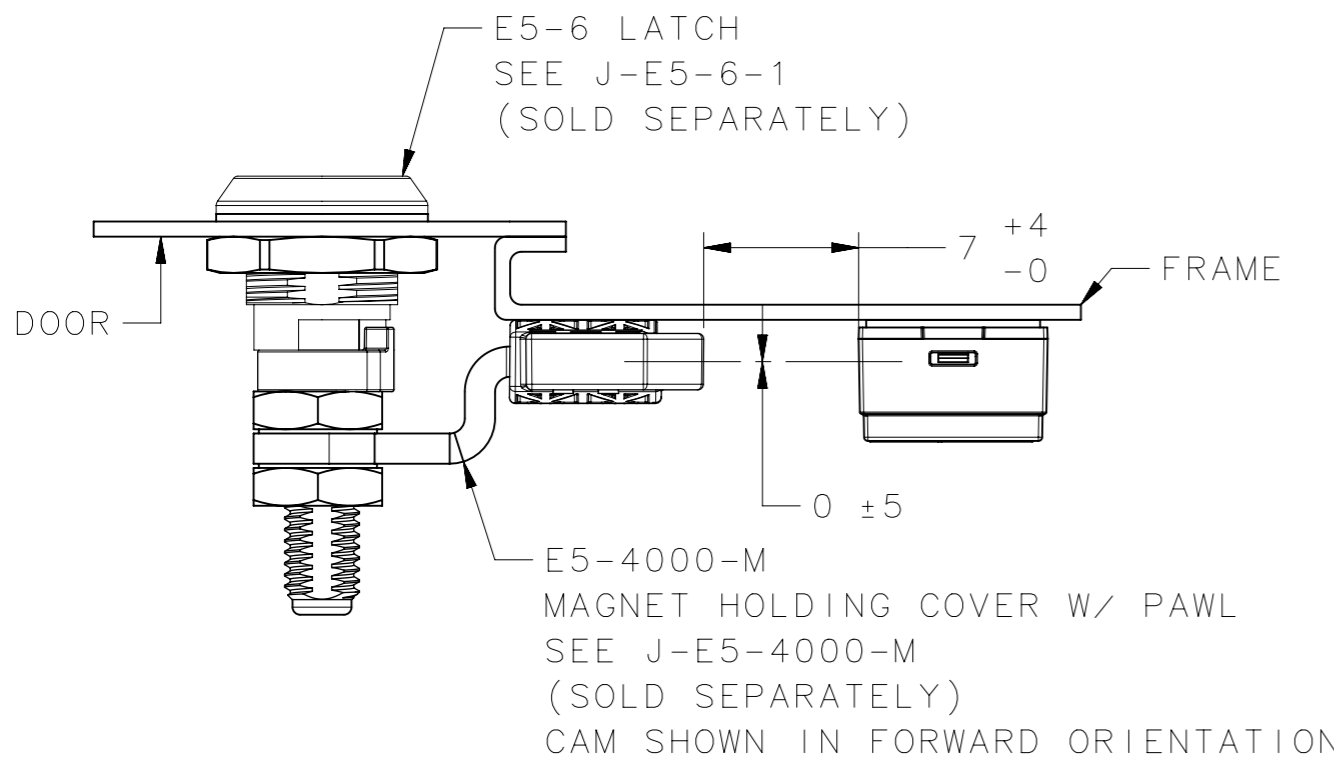
CPB NUMBER 2019-1118	THIRD ANGLE PROJECTION			
SURFACE AREA	MILLIMETERS [IN]			
VOLUME	TOLERANCES UNLESS OTHERWISE NOTED	DESCRIPTION ELECTRONIC ACCESS SOLUTION UNIVERSAL LATCH SENSOR NORMALLY OPEN		
PROPRIETARY ITEM <small>EXCEPT FOR USES EXPRESSLY GRANTED IN WRITING, INFORMATION DISCLOSED HEREON IS CONFIDENTIAL AND ALL RIGHTS, PATENT AND OTHERWISE, ARE RESERVED BY SOUTHCO, INC.</small>	ALL DIMENSIONS WITHOUT TOLERANCES ARE FOR REFERENCE ONLY.	SIZE A3	SYSTEM NX	DWG NO. J-ES-01-2
	PER ASME Y14.5M-1994	DRAWN BY ZAM	DATE 21APR2021	SCALE NONE
				SHEET 3 OF 4

NOTES:  
 O. SEE ADDITIONAL DRAWINGS FOR FURTHER INFORMATION.

- LATCH: J-E5-6-1
- MAGNET CAM: J-E5-4000-M

PARTS REQUIRED		
PART	PART NUMBER	REFERENCE DRAWING
LATCH	E5-6-HF-01	J-E5-6-1
CAM	E5-4000-M	J-E5-4000-M
UNIVERSAL LATCH SENSOR	ES-01-02XX	J-ES-01-2

REVISION HISTORY			
REV	DATE	BY	DESCRIPTION
C	16DEC2021	ZAM/MLL	PRN: P2021-1200



CAM FOR USE WITH ES UNIVERSAL LATCH SENSOR - PART NUMBER TABLE  
 (ORDER SEPARATELY FROM LATCH)

MINIMUM GRIP +2(0.08)/-0	MAXIMUM GRIP +2(0.08)/-0	CAM ORIENTATION	OFFSET	MAGNET POSITION	PART NUMBER
3.5 (0.14)	15 (0.59)	FORWARD	DEEP OFFSET CAM	POSITION 1	E5-4001-M01
49.5 (1.95)	61 (2.40)	REVERSED		POSITION 2	E5-4001-M02
15 (0.59)	26.5 (1.04)	FORWARD		POSITION 3	E5-4001-M03
38 (1.50)	49.5 (1.95)	REVERSED	OFFSET CAM	POSITION 1	E5-4002-M01
26.5 (1.04)	38 (1.50)	-	STRAIGHT CAM	POSITION 2	E5-4002-M02
				POSITION 3	E5-4002-M03
				POSITION 1	E5-4003-M01
				POSITION 2	E5-4003-M02
				POSITION 3	E5-4003-M03

CPB NUMBER 2019-1118	THIRD ANGLE PROJECTION	<b>southco</b> CONNECT • CREATE • INNOVATE
SURFACE AREA	MILLIMETERS [IN]	
VOLUME	TOLERANCES UNLESS OTHERWISE NOTED	DESCRIPTION ELECTRONIC ACCESS SOLUTION UNIVERSAL LATCH SENSOR NORMALLY OPEN
PROPRIETARY ITEM EXCEPT FOR USES EXPRESSLY GRANTED IN WRITING, INFORMATION DISCLOSED HEREON IS CONFIDENTIAL AND ALL RIGHTS, PATENT AND OTHERWISE, ARE RESERVED BY SOUTHCO, INC.	ALL DIMENSIONS WITHOUT TOLERANCES ARE FOR REFERENCE ONLY.	SIZE A3
PER ASME Y14.5M-1994	DRAWN BY ZAM	SYSTEM NX
	DATE 18NOV2021	DWG NO. J-ES-01-2
	SCALE NONE	SHEET 4 OF 4