

EH Hinge

Surface mount · Offset

- Allows 180 degree opening
- Offset pivot maximizes cabinet access
- Ideal for closely spaced enclosures

Material and Finish

Zinc alloy, black powder coated or bright chrome plated
Pin: Stainless steel

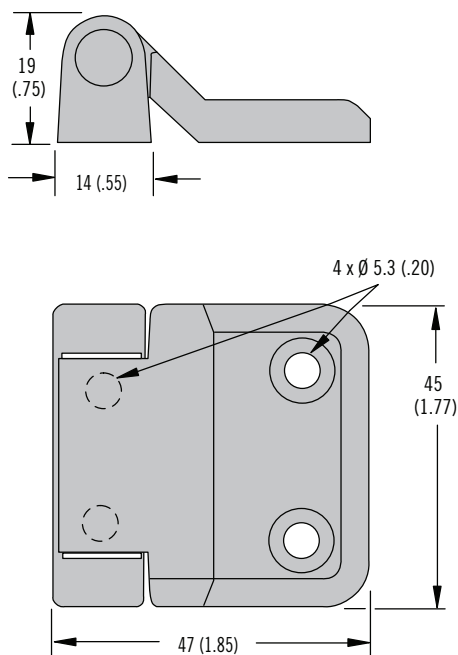
Product Strength Guidelines

Radial load:
Max. static load: 2670 N (600 lbf)
Axial load:
Max. static load: 2670 N (600 lbf)

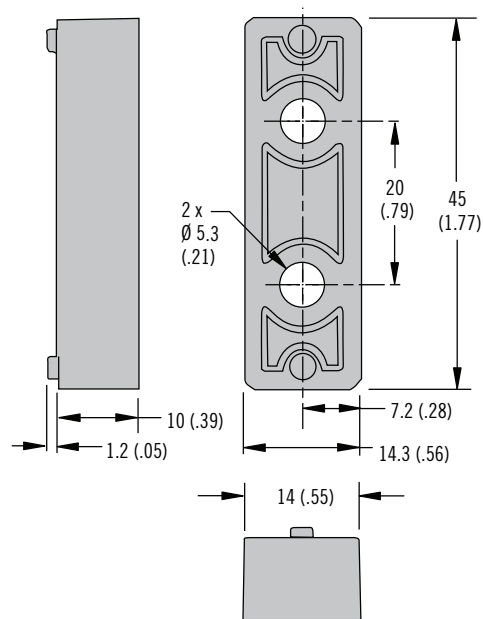
Installation Notes

Screws not supplied.
Attach hinge with M5 (No. 10) CSK

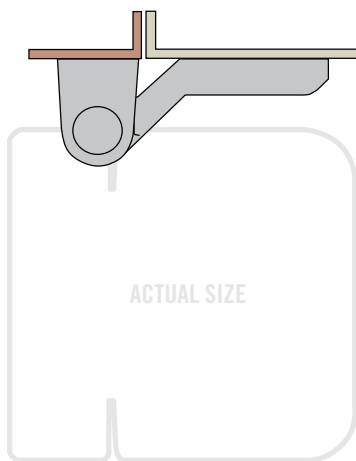
Hinge



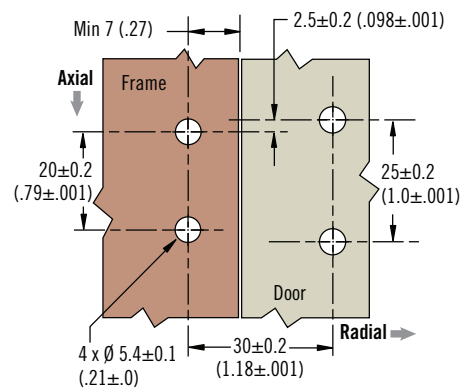
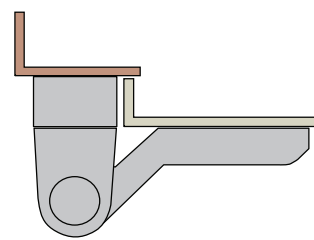
Spacer



Standard Flush Mount



Offset Mount with Spacer



Part Number

See table

Finish	Part Number	
	Hinge	Spacer
Chrome	EH-6C-5V4-38	EH-6C-B-38
Black	EH-6C-5V4-50	EH-6C-B-50

Dimensions in millimeters (inch) unless otherwise stated