

# E8 Draw Latch

Over-center · Adjustable

- Adjustable grip
- Concealed mounting

### Material and Finish

Acetal black and glass reinforced nylon, black  
 Adjusting nut: Stainless steel

### Performance Details

Max. working load: 1560 N (350 lbf)

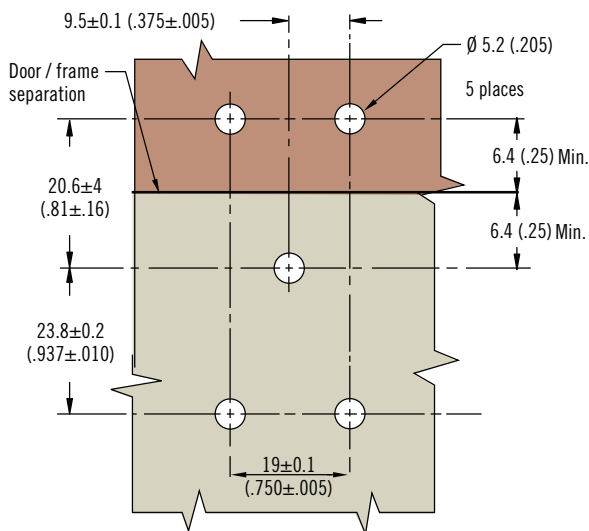
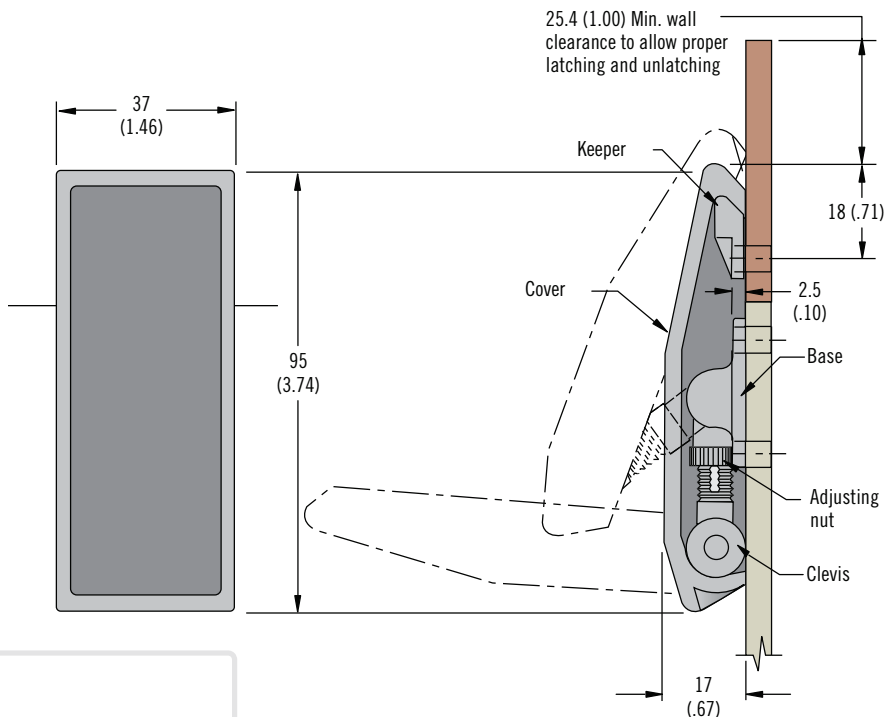
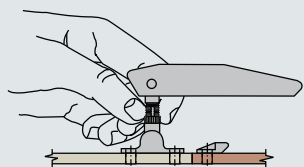
Operating temperature range:  
 -29°C (-20°F) to 80°C (176°F)

Flammability rating: UL94-HB

### Installation Notes

Install assembly with five  $\varnothing 5$  (.197) rivets or M5 (No. 10) screws (not supplied)

To adjust latching force, thread adjustment nut up or down clevis (total 7.9 (.31) range)



### Part Number

See table  
 Assembly complete with keeper

Part Number
E8-10-502-20