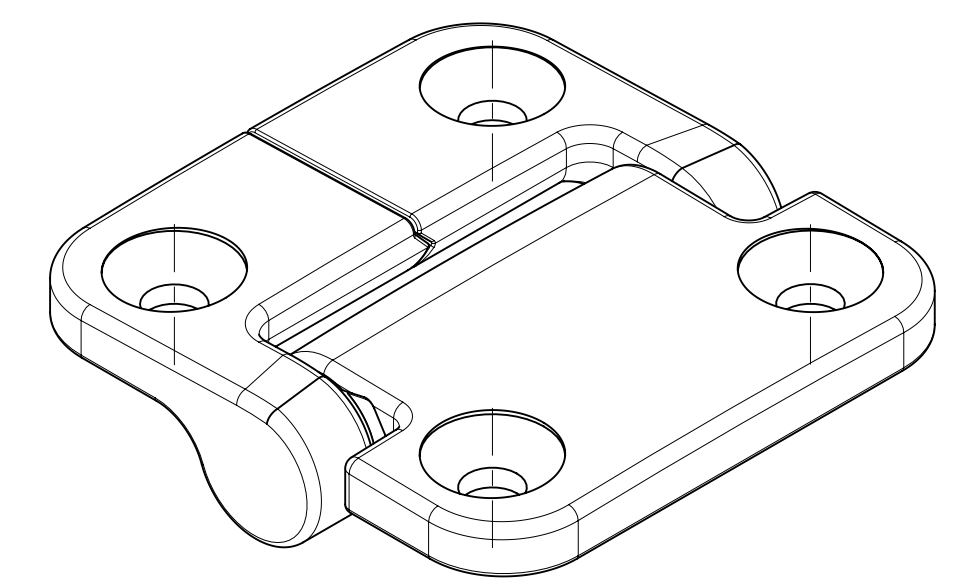
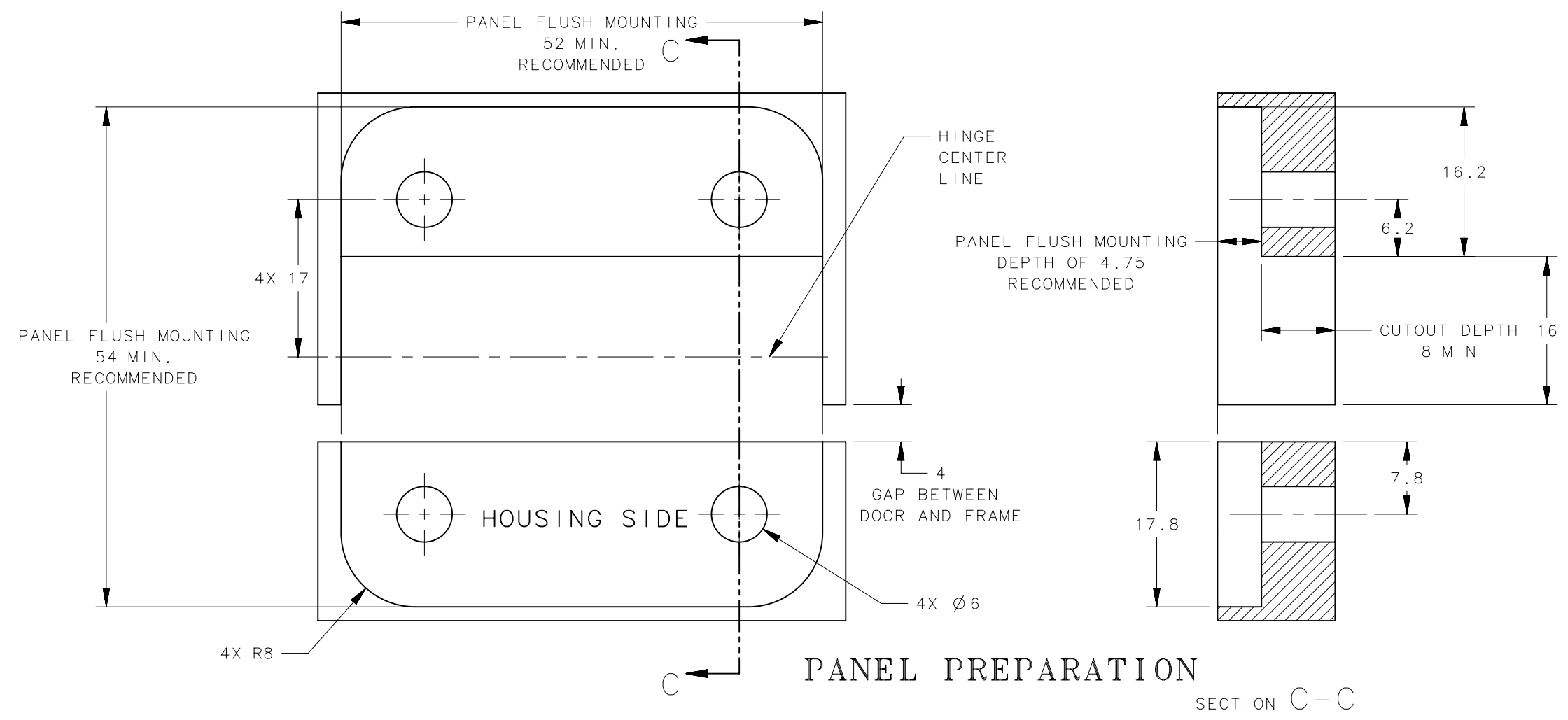
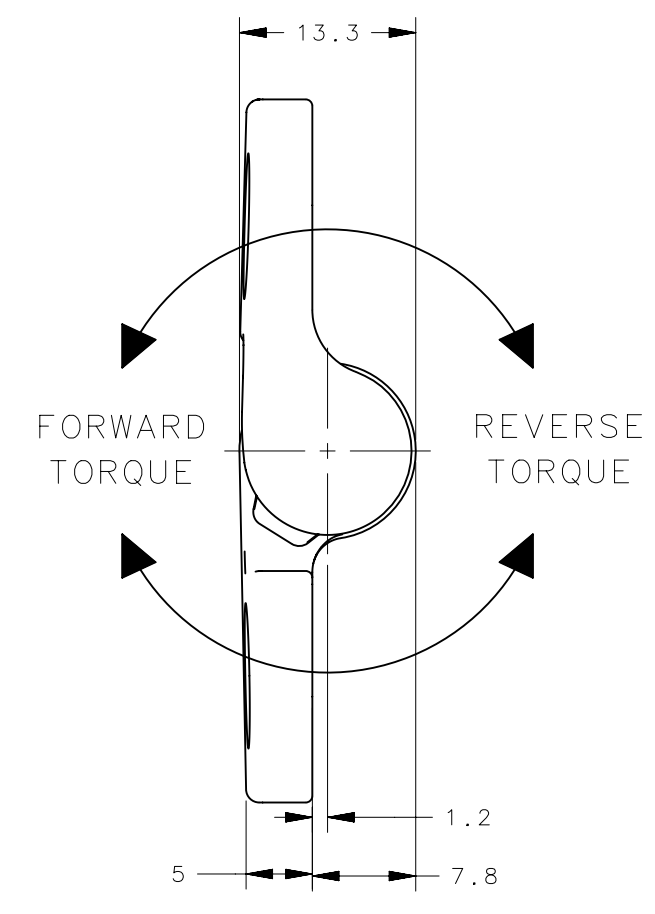
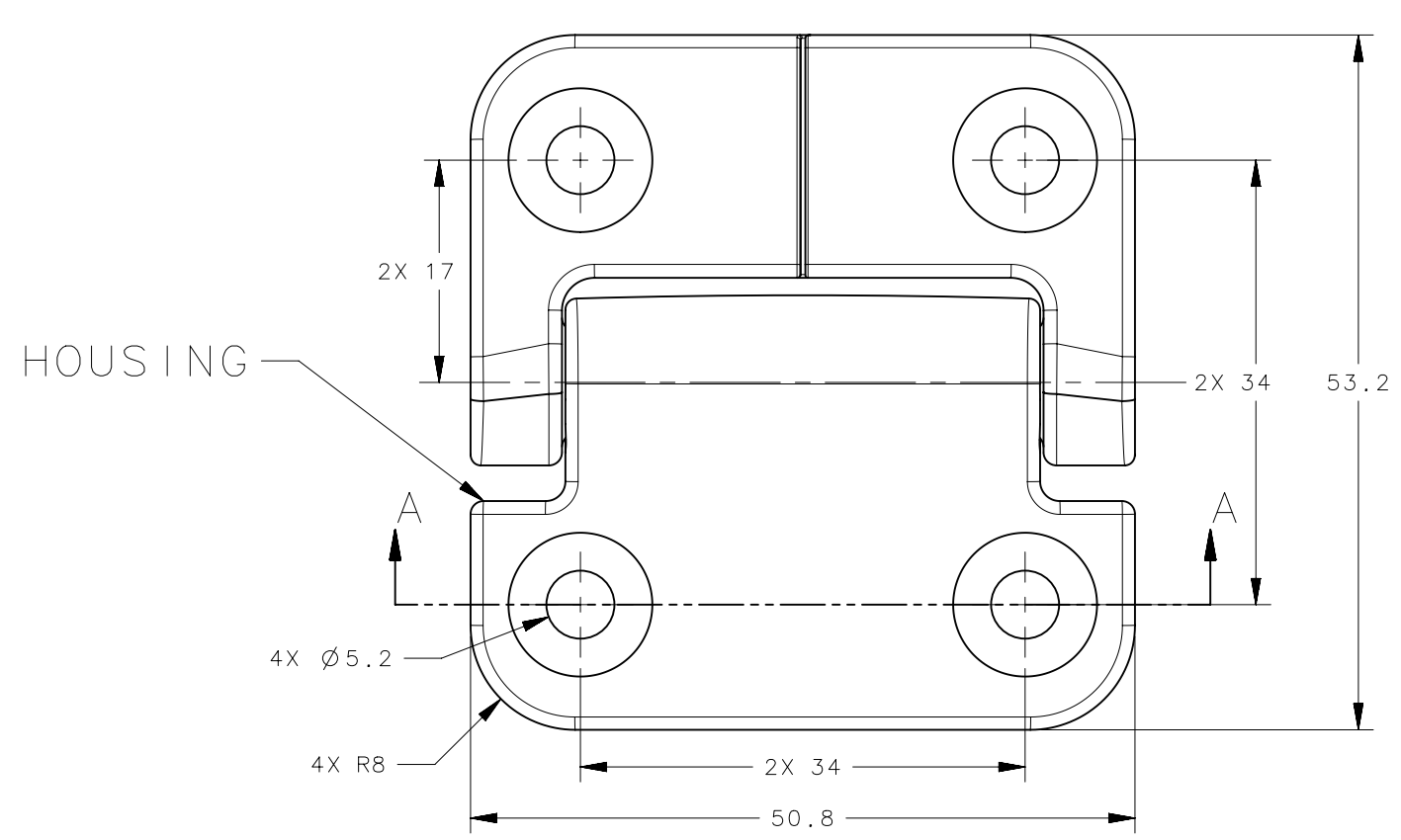


REVISION HISTORY			
REV	DATE	BY	DESCRIPTION
A	29JAN2024	AJH/NJF	IPN: 2024-0206



SCALE 7:4



-XX	MATERIAL / FINISH
-24	SS (MIM) - PASSIVATED
-85	SS (MIM) - HAND BUFFED

PART NUMBER	FORWARD TORQUE N-m (in-lbf)	REVERSE TORQUE N-m (in-lbf)
E6-73-400-XX	0.00 (0.00) *	0.00 (0.00) *
E6-73-408S-XX	0.90 (8.0)	0.90 (8.0)
E6-73-416S-XX	1.81 (16.0)	1.81 (16.0)
E6-73-420S-XX	2.26 (20.0)	2.26 (20.0)
E6-73-430S-XX	3.39 (30.0)	3.39 (30.0)
E6-73-420F-XX	2.26 (20.0)	1.54 (13.6) *
E6-73-430F-XX	3.39 (30.0)	2.30 (20.4) *
E6-73-440F-XX	4.52 (40.0)	3.08 (27.3) *
E6-73-420R-XX	1.54 (13.6) *	2.26 (20.0)
E6-73-430R-XX	2.30 (20.4) *	3.39 (30.0)
E6-73-440R-XX	3.08 (27.3) *	4.52 (40.0)

\* REFERENCE ONLY

NOTES:

- PERFORMANCE TORQUE TOLERANCE  $\pm 20\%$  (OVER LIFE OF THE HINGE)
- DESIGNED TO ACCEPT M5 OR No. 10 SCREW OR EQUIVALENT
- MATERIAL AND FINISH:  
HINGE LEAVES: STAINLESS STEEL  
SHAFT & PIN: STEEL  
O-RINGS: BUNA-N RUBBER  
BEARINGS: PLASTIC
- RoHS COMPLIANT

THIRD ANGLE PROJECTION		 CONNECT · CREATE · INNOVATE
MILLIMETERS [IN]		
TOLERANCES UNLESS OTHERWISE NOTED UP TO 0.5 $\pm 0.05$ OVER 0.5 UP TO 6 $\pm 0.1$ OVER 6 UP TO 30 $\pm 0.2$ OVER 30 $\pm 0.3$ ANGLES $\pm 1^\circ$		DESCRIPTION HINGE & CONTROLLED MOTION DEVICE
PROPRIETARY ITEM EXCEPT FOR USES EXPRESSLY GRANTED IN WRITING, INFORMATION DISCLOSED HEREIN IS CONFIDENTIAL AND ALL RIGHTS, PATENT AND OTHERWISE, ARE RESERVED BY SOUTHCO, INC.	PER ASME Y14.5M-2009	SIZE SYSTEM    DWG NO. C    NX    J-E6-73-400 DRAWN BY    DATE    SCALE    SHEET AJH    27JAN2023    1.75:1    1 OF 1