



E6 Hinge

Position control · Constant torque

- Holds in every position
- No adjustment required
- Long cycle life

Material and Finish

Zinc alloy body with hardened steel internal components

Performance Details

20,000 cycles within $\pm 20\%$ of static torque specification

Installation Notes

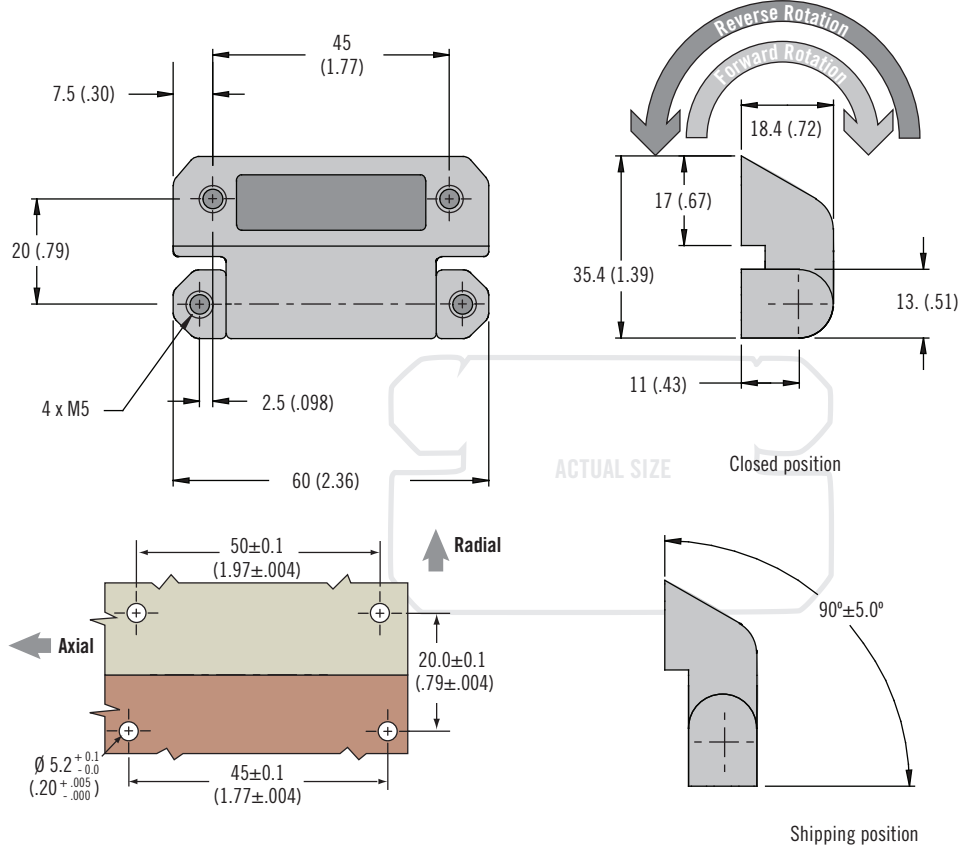
Screws not supplied

Calculate screw length using the following formula:

Door thickness + 6 (.236)

Part Number

See table



Symmetric

Part Number		Symmetric Torque N·m (in·lbf)
Black	Satin Chrome	
E6-60-400-50	E6-60-400-20	Free operating
E6-60-412S-50	E6-60-412S-20	1.36 N·m (12 in·lbf)
E6-60-420S-50	E6-60-420S-20	2.26 N·m (20 in·lbf)
E6-60-428S-50	E6-60-428S-20	3.16 N·m (28 in·lbf)
E6-60-436S-50	E6-60-436S-20	4.07 N·m (36 in·lbf)

Asymmetric

Part Number		Forward Torque N·m (in·lbf)	Reverse Torque N·m (in·lbf)
Black	Satin Chrome		
E6-60-420F-50	E6-60-420F-20	2.3 (20)	1.4 (12)
E6-60-428F-50	E6-60-428F-20	3.2 (28)	1.9 (16.8)
E6-60-436F-50	E6-60-436F-20	4.1 (36)	2.4 (21.6)
E6-60-444F-50	E6-60-444F-20	5 (44)	3 (26.4)
E6-60-420R-50	E6-60-420R-20	1.4 (12)	2.3 (20)
E6-60-428R-50	E6-60-428R-20	1.9 (16.8)	3.2 (28)
E6-60-436R-50	E6-60-436R-20	2.4 (21.6)	4.1 (36)
E6-60-444R-50	E6-60-444R-20	3 (26.4)	5 (44)