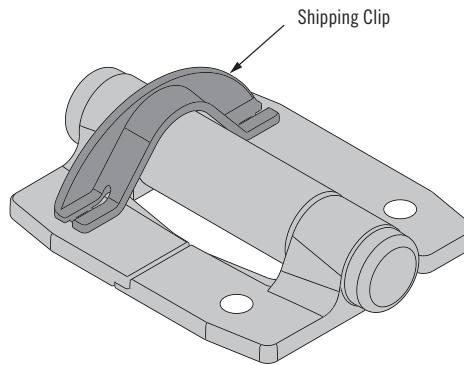
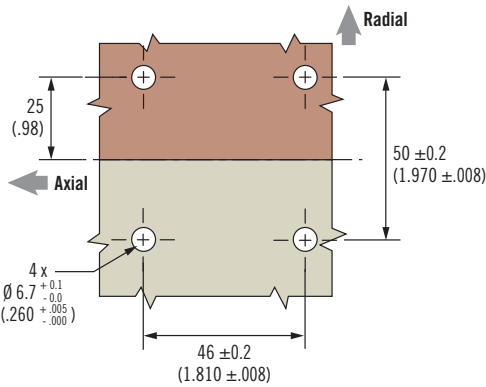
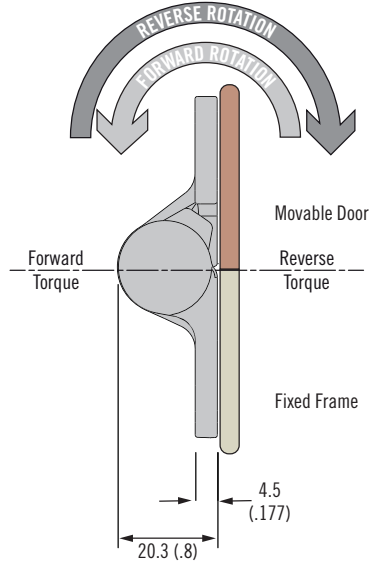
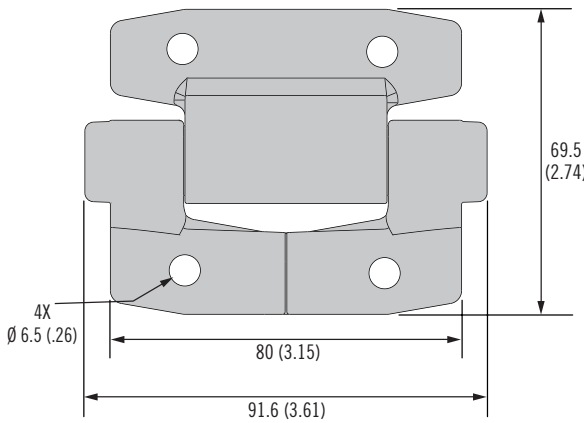


# E6 Hinge

Position Control · Constant Torque · One Way



328A



- Holds in every position
- No adjustment required
- Long cycle life
- Minimal resistance in free direction

### Material and Finish

Aluminum alloy, black powder coated

### Performance Details

Cycle performance: 20,000 Cycles, see trade drawing for details

Radial load:

Max. static load: 2000 N (450 lbf)

Average ultimate load:

3500 N (780 lbf)

Axial load:

Max. static load: 500 N (110 lbf)

Average ultimate load:

6000 N (1300 lbf)

### Installation Notes

Do not remove shipping clip until hinge is secured by first pair of screws. Discard or recycle shipping clip when removed.

### Part Number

See table

Part Number	Forward Torque N·m (in·lbf)	Reverse Torque N·m (in·lbf)
E6-10-620F0-50	2.3 (20)	Free
E6-10-635F0-50	3.9 (35)	Free
E6-10-650F0-50	5.7 (50)	Free
E6-10-665F0-50	7.3 (65)	Free
E6-10-680F0-50	9.0 (80)	Free
E6-10-695F0-50	10.7 (95)	Free
E6-10-6110F0-50	12.4 (110)	Free
E6-10-620R0-50	Free	2.3 (20)
E6-10-635R0-50	Free	3.9 (35)
E6-10-650R0-50	Free	5.7 (50)
E6-10-665R0-50	Free	7.3 (65)
E6-10-680R0-50	Free	9.0 (80)
E6-10-695R0-50	Free	10.7 (95)
E6-10-6110R0-50	Free	12.4 (110)

Other options available. For complete details on variety, part numbers, installation and specification, go to



[www.southco.com/E6](http://www.southco.com/E6)