

E6 Hinge

Position control · Adjustable torque

- Hold doors open, in position
- User-adjusted holding torque

Material and Finish

Leaves: Acetal
 Pin: Polycarbonate
 Adjustment screw & nut: Stainless steel

Performance Details

Radial load:
 Large: 3110 N (700 lbf)
 Medium: 1780 N (400 lbf)

Axial load:
 Large: 2000 N (450 lbf)
 Medium: 890 N (200 lbf)

Maximum prevailing torque of hinge:
 Large: 4 N·m (35 in·lbf)
 Medium: 0.8 N·m (7 in·lbf)

Operating temperature range:
 -5°C (20°F) to 65°C (150°F)

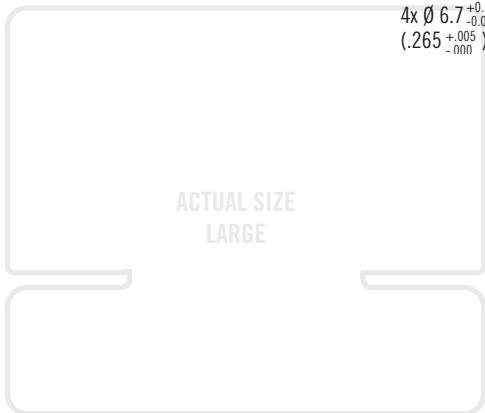
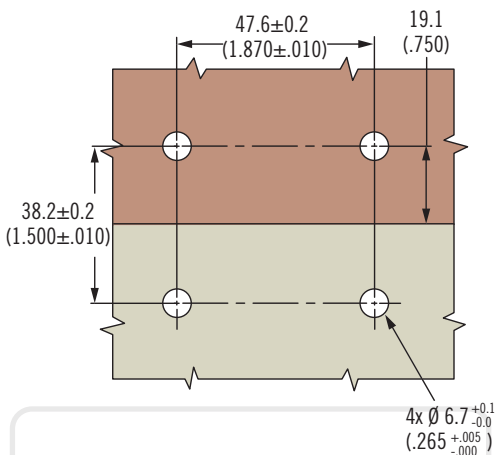
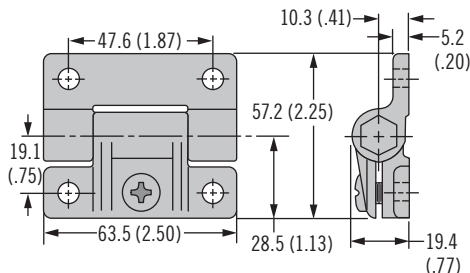
Installation Notes

Mount with:
 Large: M6 (1/4-20)
 Medium: M4 (8-32)
 (screws not supplied)

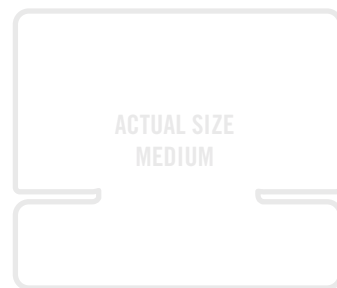
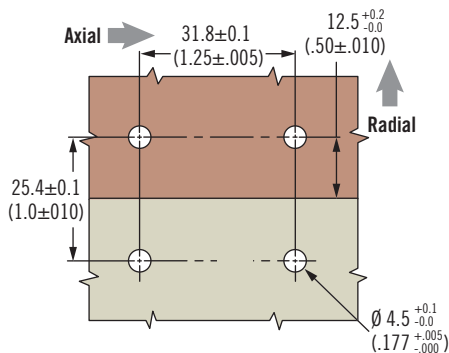
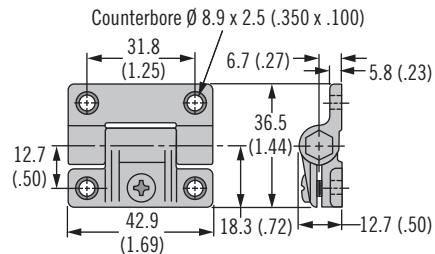
Part Number

See table

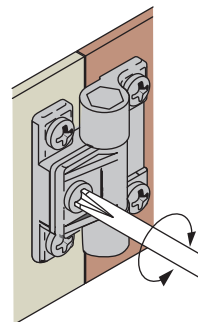
Large



Medium



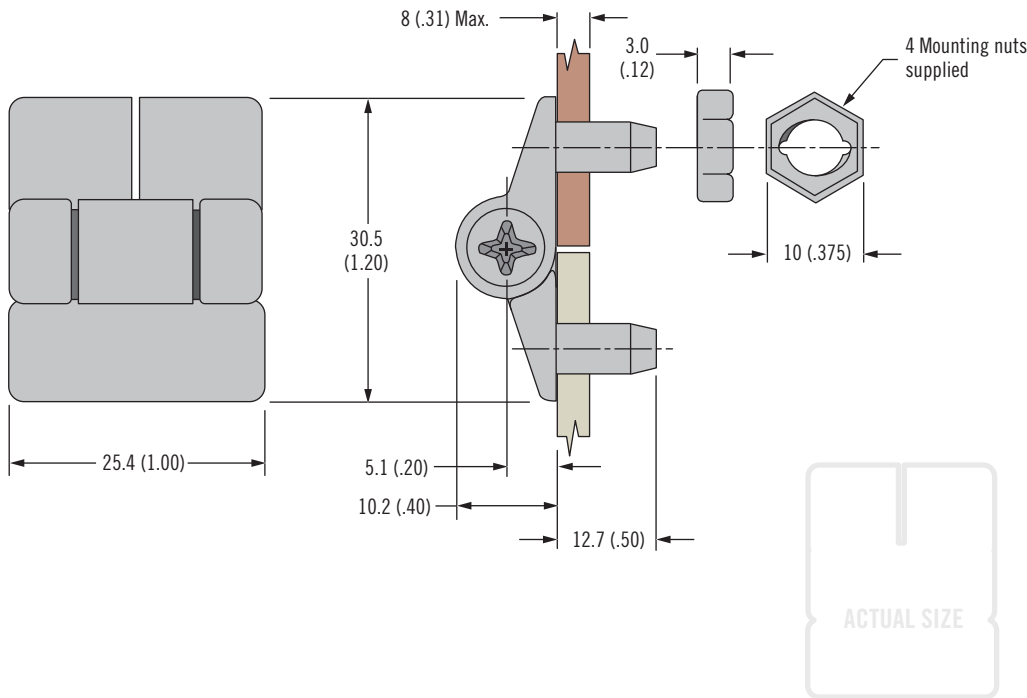
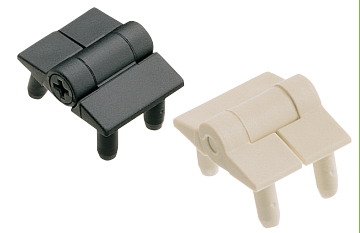
Torque Adjustment



Part Number		
Color	Large	Medium
Black	E6-10-501-20	E6-10-301-20
White	E6-10-501-10	E6-10-301-10

E6 Hinge

Position control · Adjustable torque



- Hold doors open, in position
- User-adjusted holding torque

Material and Finish

Acetal, nylon
 Mounting hardware:
 Steel, zinc plated

Performance Details

Radial load:
 Average ultimate load:
 1150 N (260 lbf)

Axial load:
 Average ultimate load:
 950 N (214 lbf)

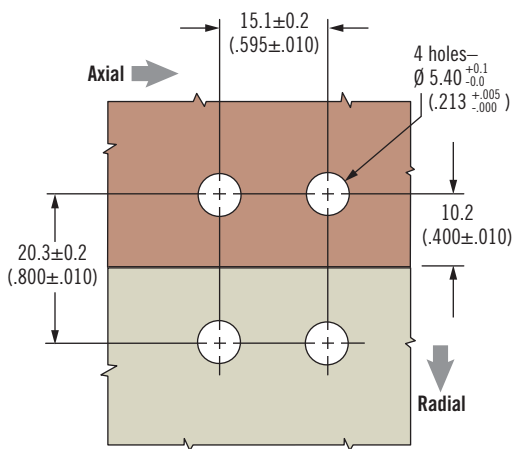
Maximum prevailing torque of hinge:
 0.25 N·m (2.2 in·lbf)

Operating temperature range:
 -5°C (-20°F) to 65°C (150°F)

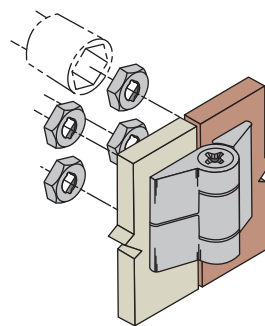
Notes

Packaging: One hinge and four mounting nuts per bag

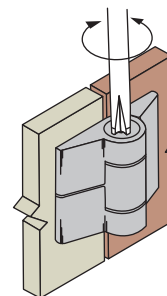
1. Prepare door and frame



2. Mount



3. Adjust torque



Color	Part Number
Black	E6-10-101-20
White	E6-10-101-30

Part Number

See table