

REV	DATE	DRAWN/CHKD	DESCRIPTION
L	03SEP2013	CMS/MS	PRN: P2013-1671
M	02OCT2014	CMS/MWD	PRN: P2014-1928
N	03MAR2015	CMS/MGG	PRN: P2015-0432
O	01MAY2015	CMS/LT	PRN: P2015-0839
P	31MAR2020	CMS/MTS	PRN: P2020-0598

PART NUMBER:

E5-5-**WW** X - **YY** 1- **R K CCC**

USED ONLY WHEN "WW" IS 41 OR 42

MILLIMETERS

ALL DIMENSIONS WITHOUT TOLERANCES ARE FOR REFERENCE ONLY.

THIRD ANGLE PROJECTION

A3 PAPER SIZE

SHEET 1 OF 3

- NOTES:
- INSPECT PARTS FROM 0.5 METERS VIEWING DISTANCE FOR 8 SECONDS.
 - NO SURFACE IMPERFECTION LARGER THAN 1.5mm IN DIAMETER, HEIGHT, OR WIDTH IS PERMITTED ON THE HOUSING HEAD OR TOP OF LOCK PLUG.
 - THERE IS A MAXIMUM OF 4 SURFACE IMPERFECTIONS OF ANY SIZE ALLOWED.
 - FOR CAM TYPE SEE GRIP TABLE IN LOWER RIGHT.
 - FOR KEY INFORMATION REFER TO J-PK-10 AND J-PK-13.
 - FOR INSTALLATION SEE DRAWING J-E5-5-B
 - UU CAM TYPE INDICATES THAT CAM IS ORDERED AND SHIPPED SEPARATELY.
 - KEY SET OPTIONS:
WHEN WW=42
KD1=RS001-RS125 (125 PIECE SET).
KD2=RS126-RS250 (125 PIECE SET).
KD3=RS251-RS375 (125 PIECE SET).
KD4=RS376-RS500 (125 PIECE SET).
AVAILABLE FOR E5-5-425-UU1-12KDX AND E5-5-422-UU1-12KDX.

WHEN WW=41
MK1=LS001-LS125 (125 PIECE SET)
MK2=LS126-LS250 (125 PIECE SET)
MK3=LS251-LS375 (125 PIECE SET)
MK4=LS376-LS500 (125 PIECE SET)
AVAILABLE FOR E5-5-415-UU1-12MKX AND E5-5-412-UU1-12MKX.

ACTUATION STYLE KEY - LOCKABLE: (SEE ACTUATION STYLE DETAILS BELOW)

CAM STYLE (SEE NOTE 4)

SEALING OPTION:
1 = O-RING AND GASKET INCLUDED FOR IP-66/NEMA 4 RATING

HOUSING FINISH:
2 = BRIGHT CHROME PLATE
5 = BLACK POWDER COAT

KEY REMOVAL:
1 = LOCKED/UNLOCKED POSITION

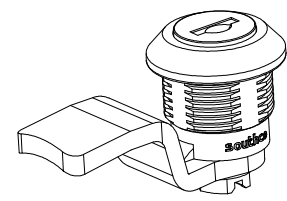
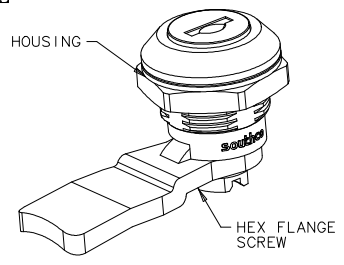
KEY OPTIONS:
0 = NO KEYS INCLUDED, ORDER SEPARATELY
1 = 1 KEY PER LOCK, (FLAT KEY)
2 = 2 KEYS PER LOCK (FLAT KEYS)
3 = 1 KEY PER LOCK (PLASTIC OVERMOLDED)
4 = 2 KEYS PER LOCK, (PLASTIC OVERMOLDED)

"LS" OR "RS" KEYCODES:
001
500
MK1 OR KD1
MK2 OR KD2
MK3 OR KD3
MK4 OR KD4
(SEE NOTE 8)

WW ACTUATION STYLE

- WW - 40 KEYED ALIKE, CH751, STAINLESS STEEL CAP, BRASS NICKEL PLATED DUST SHUTTER, 45 KEYED ALIKE, CH751, NO CAP, NO DUST SHUTTER, BLACK POWDER COATED LOCK FACE.
- 41 - MASTER KEYED, KEYED DIFFERENTLY (*LS* CODES) STAINLESS STEEL CAP, BRASS NICKEL PLATED DUST SHUTTER.
42 - NONMASTER KEYED, KEYED DIFFERENTLY (*RS* CODES) STAINLESS STEEL CAP, BRASS NICKEL PLATED DUST SHUTTER.
- 80 KEYED ALIKE, WN04, STAINLESS STEEL CAP, BRASS NICKEL PLATED DUST SHUTTER.
81 KEYED ALIKE, WN04, NO CAP, NO DUST SHUTTER, BLACK POWDER COATED LOCK FACE.

YY CAM STYLE

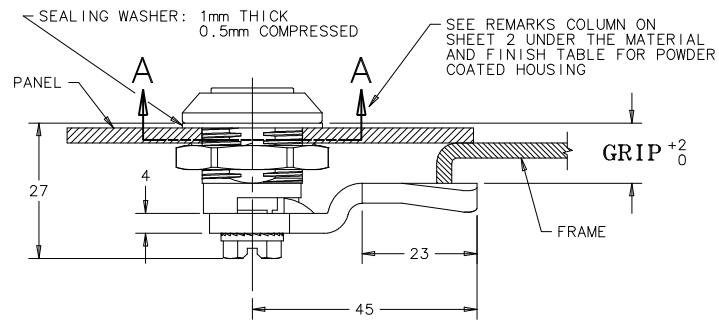
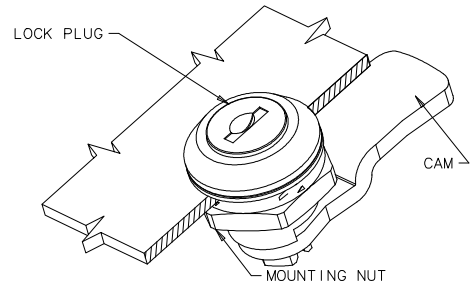
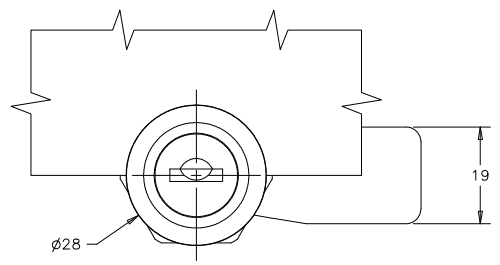


PART NUMBER E5-5-40X-031-1K SHOWN

YY = SEE TABLE ASSEMBLIES SHIPPED WITH CAM (NOT STOCKED)

YY = UU
CAM ORDERED AND SHIPPED SEPARATELY

YY	GRIP
03	4mm
04	6mm
05	8mm
06	10mm
07	12mm
08	14mm
09	16mm
10	18mm
11	20mm
12	22mm
13	24mm
14	26mm
15	28mm
16	30mm
17	32mm
18	34mm
19	36mm
20	38mm
21	40mm
22	42mm



PART NUMBER E5-5-40X-071-1K SHOWN

REV	DATE	DRAWN/CHKD	DESCRIPTION
L	03SEP2013	CMS/MS	PRN: P2013-1671
M	02OCT2014	CMS/MWD	PRN: P2014-1928
N	03MAR2015	CMS/MGG	PRN: P2015-0432
O	01MAY2015	CMS/LT	PRN: P2015-0839
P	31MAR2020	CMS/MTS	PRN: P2020-0598

MILLIMETERS

ALL DIMENSIONS WITHOUT TOLERANCES ARE FOR REFERENCE ONLY.

THIRD ANGLE PROJECTION

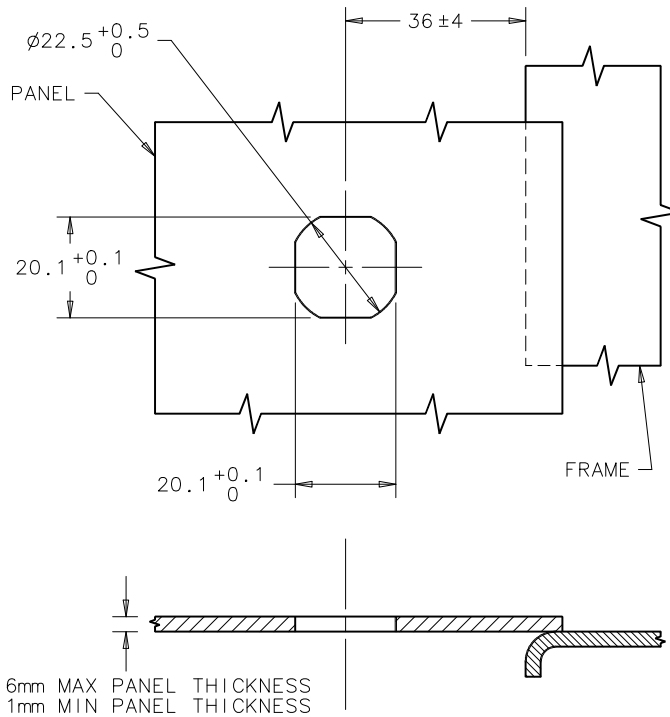
A3 PAPER SIZE

SHEET 2 OF 3

MATERIAL AND FINISH

COMPONENT	MATERIAL DESCRIPTION	FINISH DESCRIPTION	REMARKS
LOCK PLUG	DIE CAST ZINC	CHROMATE WITH STAINLESS STEEL CAP	INCLUDES NICKEL PLATED BRASS DUST SHUTTER
		BLACK POWDER COATED	NO CAP, NO DUST SHUTTER
HOUSING	DIE CAST ZINC	CHROME PLATED	
		BLACK POWDER COATED	HEAD IS POWDER COATED, ABOVE SECTION A-A, (2 THREADS MAX)
CAM	STEEL	ZINC PLATE, BRIGHT CHROMATE	
O-RING	NITRILE	BLACK	
SEALING WASHER	POLYURETHANE	BLACK	
HEX FLANGE SCREW	LOW CARBON STEEL	ZINC PLATE, BRIGHT CHROMATE	
MOUNTING NUT	DIE CAST ZINC	ZINC PLATE, BRIGHT CHROMATE	

PANEL PREPARATION



REV	DATE	DRAWN/CHKD	DESCRIPTION
L	03SEP2013	CMS/MS	PRN: P2013-1671
M	02OCT2014	CMS/MWD	PRN: P2014-1928
N	03MAR2015	CMS/MGG	PRN: P2015-0432
O	01MAY2015	CMS/LT	PRN: P2015-0839
P	31MAR2020	CMS/MTS	PRN: P2020-0598

MILLIMETERS

ALL DIMENSIONS WITHOUT TOLERANCES ARE FOR REFERENCE ONLY.

THIRD ANGLE PROJECTION

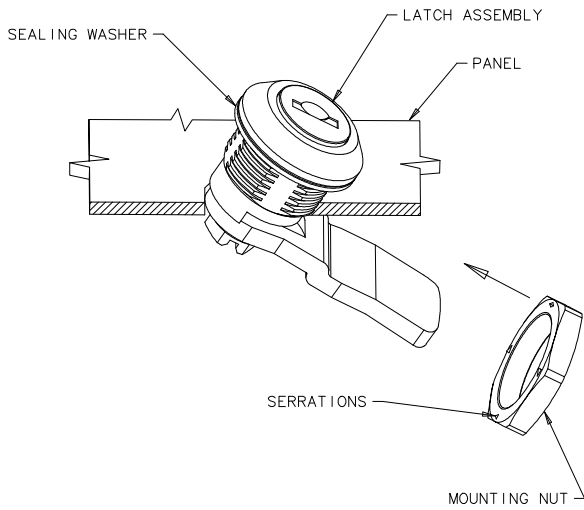
A3 PAPER SIZE

SHEET 3 OF 3

INSTALLATION METHOD 1

USE WHEN GRIP IS EQUAL TO OR EXCEEDS PANEL THICKNESS BY 9mm

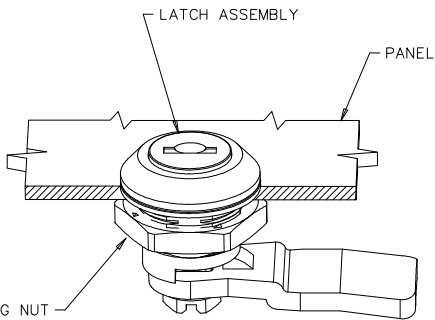
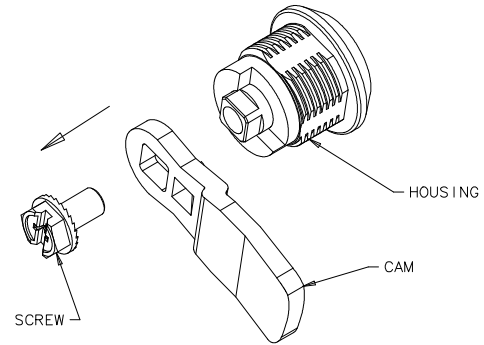
1. PLACE SEALING WASHER ONTO LATCH HOUSING.
2. TILT LATCH THROUGH MOUNTING HOLE.
3. INSTALL MOUNTING NUT AND TIGHTEN TO 10 N m MAX.



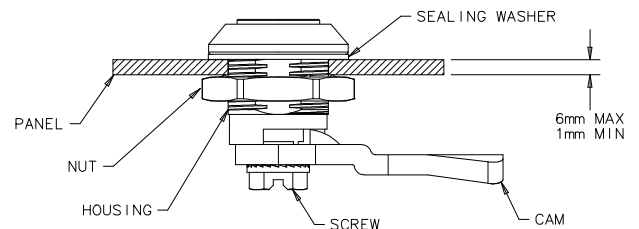
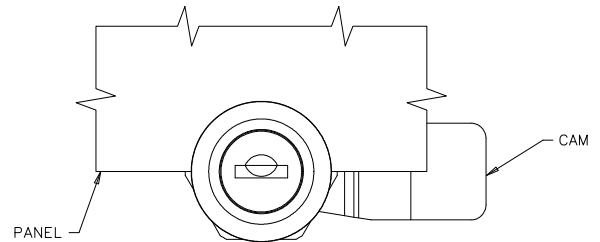
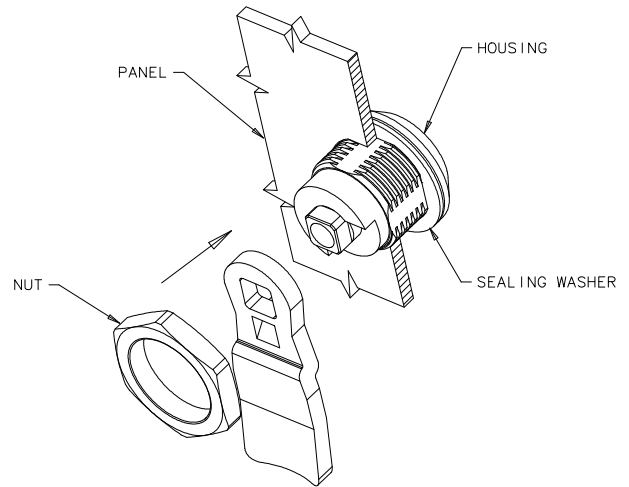
INSTALLATION METHOD 2

REQUIRED WHEN GRIP DOES NOT EXCEED PANEL THICKNESS BY 9mm

1. REMOVE SCREW FROM HOUSING, DETACHING CAM FROM LATCH ASSEMBLY.
2. PLACE SEALING WASHER ONTO LATCH HOUSING AND PLACE THROUGH MOUNTING HOLE.
3. INSTALL MOUNTING NUT AND TIGHTEN TO 10 N m MAX.
4. RE-ATTACH CAM TO LATCH ASSEMBLY. ASSURE THAT CAM IS ORIENTED TO KEYWAY OPENING AS SHOWN BELOW.
5. INSTALL SCREW AND TIGHTEN TO 4.5 Nm MIN / 5.5Nm MAX USING 10mm HEX, PHILLIPS OR SLOT



PART NUMBER E5-5-40X-131-1K SHOWN



PART NUMBER E5-5-40X-051-1K SHOWN