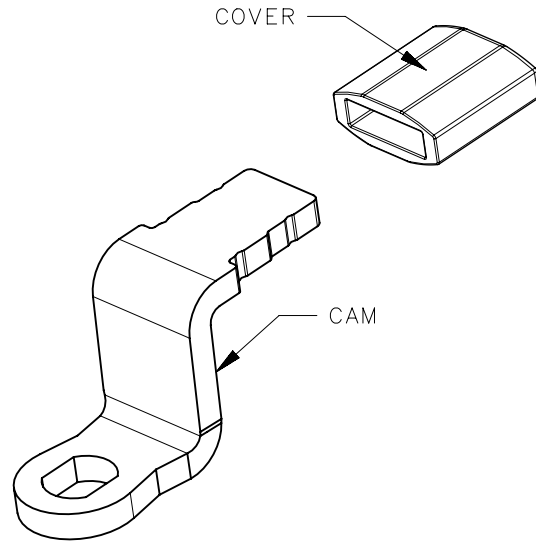
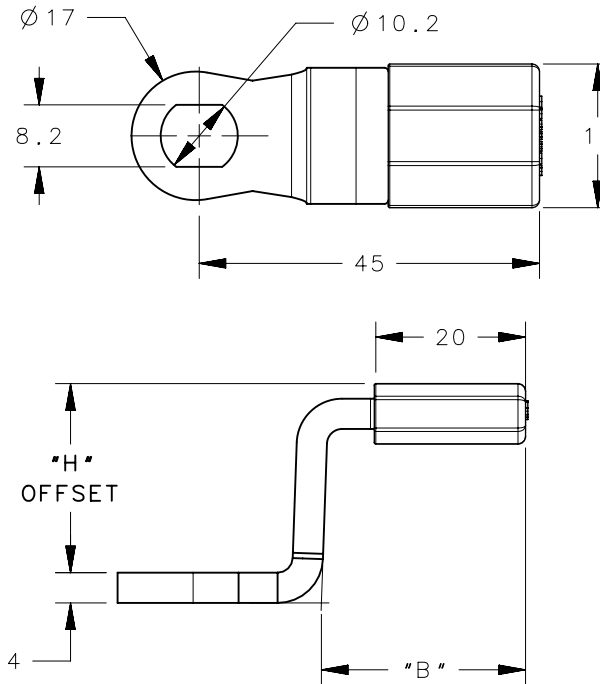


PART NUMBER	DESCRIPTION	OFFSET "H"	BEND "B"
E5-4001	DEEP OFFSET, CAM SUBASSEMBLY	25	27
E5-4002	OFFSET, CAM SUBASSEMBLY	13.5	22
E5-4003	STRAIGHT, CAM SUBASSEMBLY	2	NONE

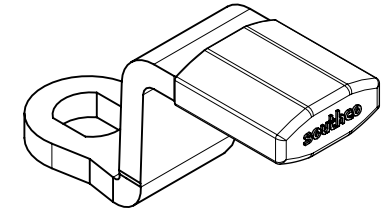
REVISION HISTORY			
REV	DATE	BY	DESCRIPTION
C	21AUG2017	VK/YGC	PRN: P2017-2077



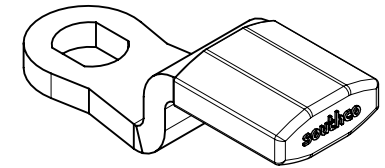
EXPLODED VIEW



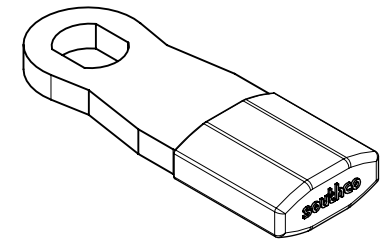
PART NUMBER SHOWN: E5-4001



DEEP OFFSET, CAM



OFFSET, CAM



STRAIGHT, CAM

SCALE 1:1

2	-	1	CAM	STEEL	ZINC PLATE PLUS BRIGHT CHROMATE
1	-	1	COVER	NYLON	BLACK
-	E5-400Y	-	CAM SUBASSEMBLY	-	-
NO.	PART NUMBER	QTY	TYPE OF COMPONENT	MATERIAL	FINISH

THIRD ANGLE PROJECTION		 CONNECT • CREATE • INNOVATE			
MILLIMETERS [IN]					
TOLERANCES UNLESS OTHERWISE NOTED		DESCRIPTION CAM SUBASSEMBLY			
ALL DIMENSIONS WITHOUT TOLERANCES ARE FOR REFERENCE ONLY.		SIZE A4	SYSTEM NX	DWG NO. J-E5-400	
PER ASME Y14.5M-1994		DRAWN BY VK	DATE 16DEC2016	SCALE 1:1	SHEET 1 OF 1
<small>PROPRIETARY ITEM EXCEPT FOR USES EXPRESSLY GRANTED IN WRITING, INFORMATION DISCLOSED HEREON IS CONFIDENTIAL AND ALL RIGHTS, PATENT AND OTHERWISE, ARE RESERVED BY SOUTHCO, INC.</small>					