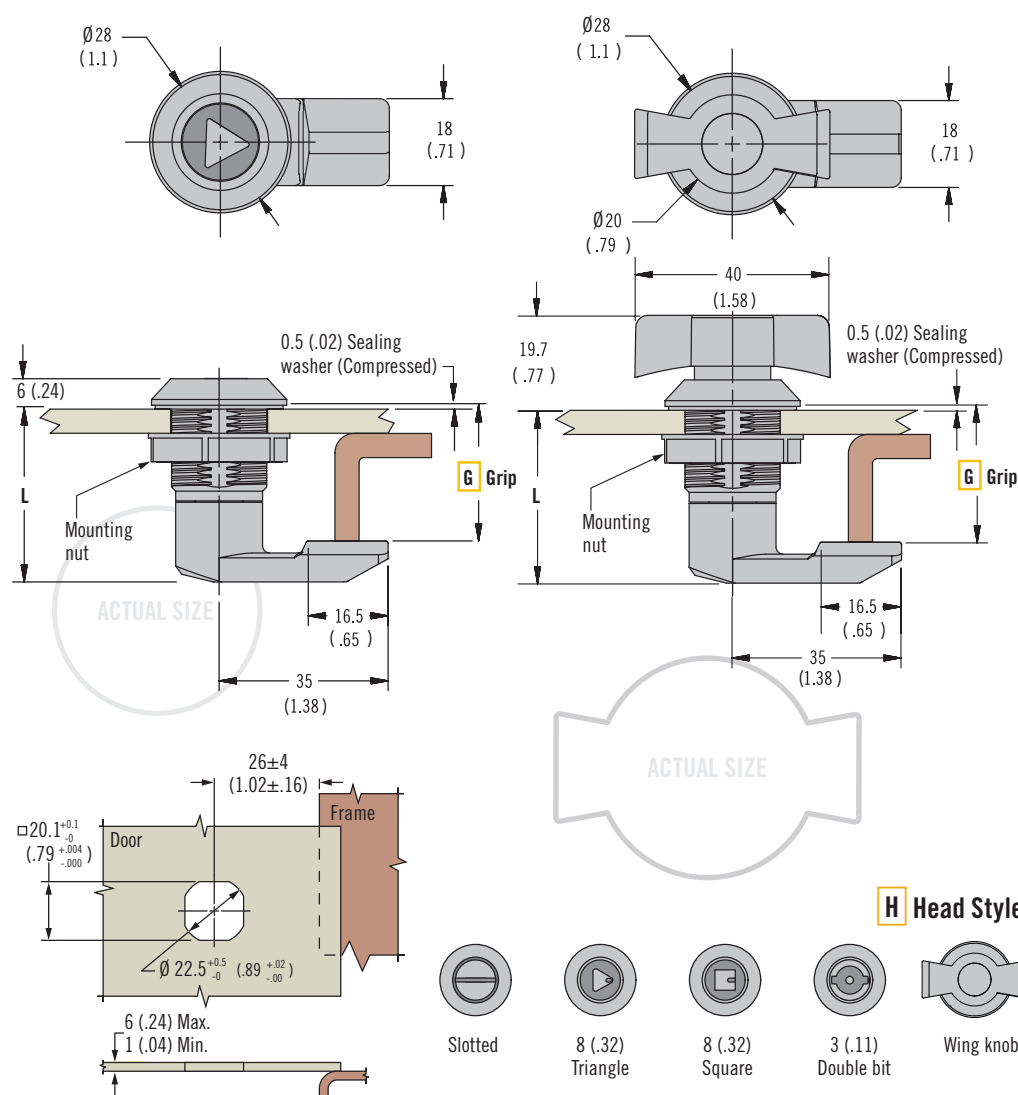




E5 Cam Latch

Glass-filled nylon · Tool or hand operated · Fixed grip



- Single hole install
- Corrosion-resistant materials

Material and Finish

Glass-filled nylon and Stainless steel

Performance Details

Average ultimate load:
300 N (68 lbf)

Installation Notes

Mounting nut
Maximum tightening torque:
4.25 N·m (38 in·lbf)

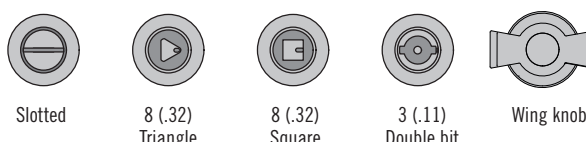
Sealing Notes

NEMA 4 / IP65 achieved using gasket supplied

Keys and Accessories

See page 130

H Head Styles



Latch Part Number



Part Number Selection

See table

- H** Head style
- 00 Slotted
 - 03 8 (.32) Triangle
 - 05 8 (.32) Square
 - 06 3 (.11) Double bit
 - 30 Wing knob

G Grip table

| Total Grip | G | L | Max. Door Thickness for Assembled Latch | Total Grip | G | L | Max. Door Thickness for Assembled Latch | Total Grip | G | L | Max. Door Thickness for Assembled Latch |
|------------|----|-----------|---|------------|----|-----------|---|------------|----|-----------|---|
| 16 (.63) | 16 | 30 (1.18) | 5 (.20) | 24 (.94) | 24 | 38 (1.50) | 6 (.24) | 30 (1.18) | 30 | 44 (1.73) | 6 (.24) |
| 18 (.71) | 18 | 32 (1.26) | 5 (.20) | 25 (.98) | 25 | 39 (1.54) | 6 (.24) | 32 (1.26) | 32 | 46 (1.81) | 6 (.24) |
| 20 (.79) | 20 | 34 (1.34) | 6 (.24) | 26 (1.02) | 26 | 40 (1.57) | 6 (.24) | 34 (1.34) | 34 | 48 (1.89) | 6 (.24) |
| 22 (.87) | 22 | 36 (1.42) | 6 (.24) | 28 (1.10) | 28 | 42 (1.65) | 6 (.24) | 36 (1.42) | 36 | 50 (1.97) | 6 (.24) |

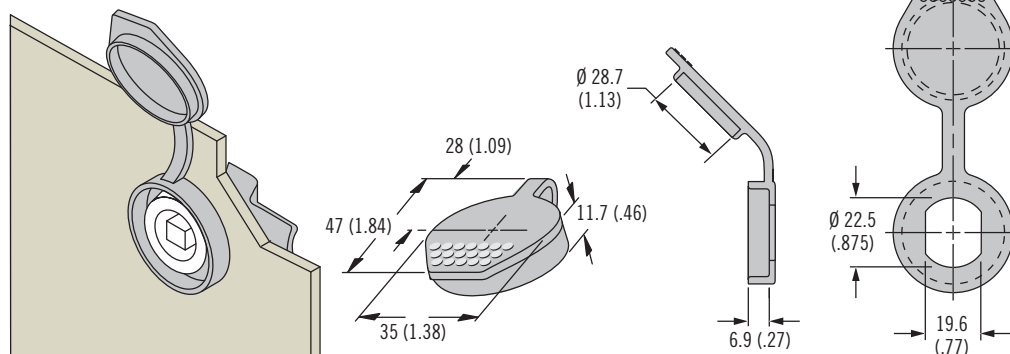


E5 Cam Latch Accessories

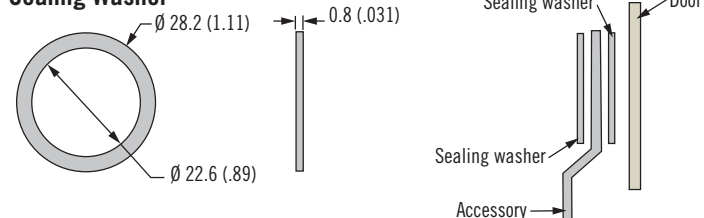
Sealing cover · Sealing washer · Pull tab · Padlock bracket



Sealing Cover

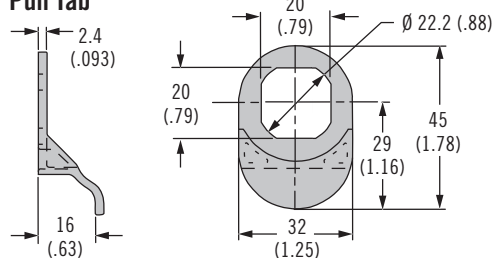


Sealing Washer

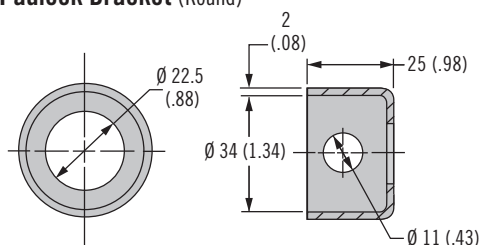


| Type | Part Number | Grip Adjustment Formula |
|----------------|-------------|--|
| Sealing washer | E5-17 | Add 0.4 (0.02) compressed height to door thickness |
| Sealing cover | 90-3 | Add 2.3 (.090) to door thickness |

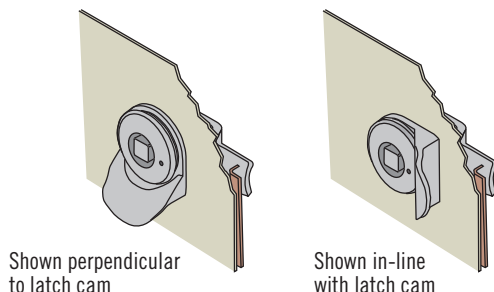
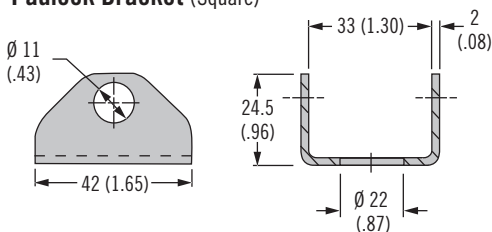
Pull Tab



Padlock Bracket (Round)



Padlock Bracket (Square)



| Type | Part Number | Grip Adjustment Formula |
|------------------------|--------------|----------------------------------|
| Padlock bracket square | E3-77-101-31 | Add 2 (.08) to door thickness |
| Padlock bracket round | E3-77-102-31 | Add 2 (.08) to door thickness |
| Pull tab | E5-18 | Add 2.4 (.093) to door thickness |

Material and Finish

Sealing washer: Neoprene natural

Sealing cover: Thermoplastic elastomer, black

Installation Notes

To provide sealing: use two sealing washers and add compressed thickness of each washer and accessory thickness to your door thickness range.

Notes

Sealing washer for use with all E5 products

Sealing cover for use with tool operated and cylinder lock E5 only

Part Number

See table

Material and Finish

Padlock bracket: Stainless steel, black powder coated

Pull tab: Nylon, black

Installation Notes

To provide sealing: use two sealing washers and add compressed thickness of each washer and accessory thickness to your door thickness range.

Notes

Padlock brackets and pull tabs for use with tool operated and cylinder lock E5 only

Part Number

See table