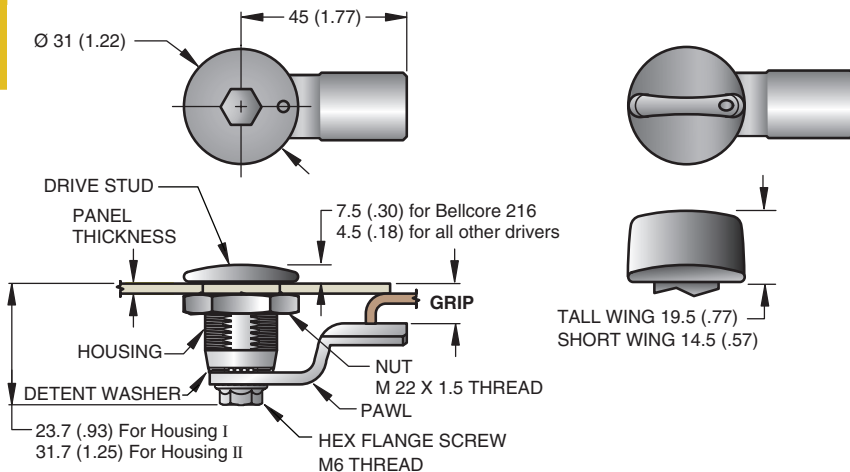


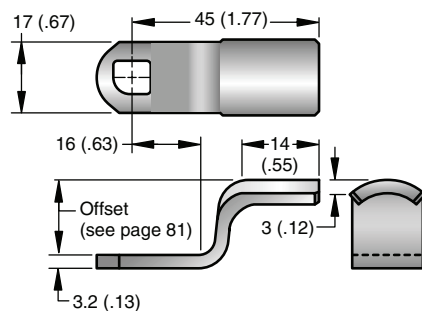
# Southco® Pawl/Cam Action Latches

## Designer Series, Quad Panel Latches

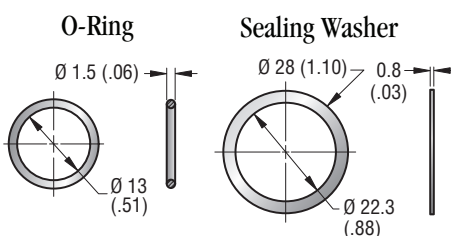
- Sealed to meet NEMA 4/IP-66 water intrusion standards with optional O-ring/Sealing Washer
- 13 access styles including hand-, tool-, and key-operated
- Latched/unlatched indicator
- Assembled and unassembled styles available
- Single-hole installation



### Pawl Detail



### Seals



## Ordering Options:

Latch Options	Door Thickness	Grip Range
<b>Assembled</b> (see pp.82-83)	1 (.04) - 6 (.24)*	5 (.20) - 44 (1.73) *The grip must exceed door thickness by 4 (.16)
<b>Unassembled</b> (see pp.80-81)	1 (.04) - 14 (.55)	1 (.04) - 44 (1.73)



Industrie  
Forum  
Design  
Hannover

### Material and Finish

**DRIVE STUDS:** (Chrome) Die-cast zinc, chrome plated. (Black) Die-cast zinc, natural; head is black powder coated.  
**HOUSING:** Die-cast zinc, acrylic latex sealer.  
**PAWL:** 1010 steel, zinc plate, chromate plus sealer.  
**DETENT WASHER:** 301 Stainless steel, passivated.  
**HEX FLANGE SCREW:** Low carbon steel, zinc plate, chromate plus sealer.  
**MOUNTING NUT:** Die-cast zinc, zinc plate, bright chromate.  
**O-RING:** Buna-N, black.

### Product Strength Guidelines

(To assist in your product selection; samples are available for your evaluation.)

SEALING WASHER: Neoprene, black.

Maximum static load on pawl: 330 N (74 lbs.)

Average ultimate load on pawl: 450 N (101 lbs.)

millimeter (inch)  
millimeter  
(inch)

Dimensions without tolerances are for reference only.

# Quad Panel Latches, (Unassembled Version)

**Use in panels 1 mm (.04) - 14 (.55) thick**

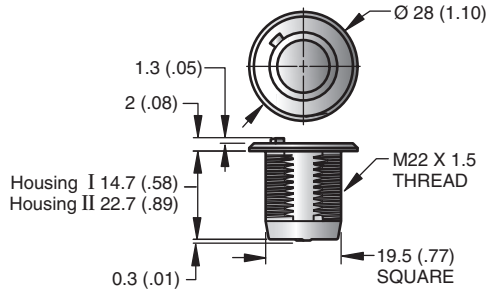
**How to order:** A complete assembly consists of one Housing, one Drive Stud and one Pawl, ordered separately. See page 82 to determine your maximum outer door thickness and grip. Use to order components below.

## Housing



### HOUSING STYLE

- 1 = HOUSING I [For panels 1 (.04) to 6 (.24) thick and grip 1(.04) to 20 (.79)]
- 2 = HOUSING II [For panels 1 (.04) to 14 (.55) thick and grips 6 (.24) to 44 (1.73)]



## Drive Stud



### DRIVE STUD STYLE

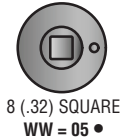
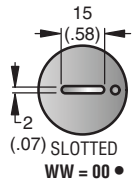
- 1 = For use with HOUSING I
- 2 = For use with HOUSING II

### HEAD STYLE

(see below)

### FINISH

- 1 = Textured chrome plate
- 5 = Black powder coat

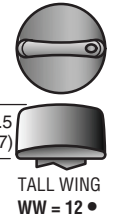
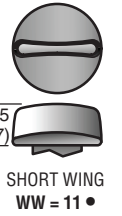
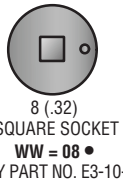
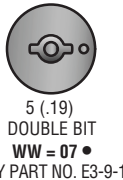
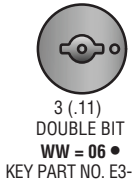


KEY PART NO. E3-3-1

KEY PART NO. E3-7-1

KEY PART NO. E3-4-1

KEY PART NO. E3-8-1



KEY PART NO. E3-2-1

KEY PART NO. E3-9-1

KEY PART NO. E3-10-1

KEY PART NO. E3-11-1

KEY PART NO. E3-12-1

KEY PART NO. E3-13-1

KEY PART NO. E3-14-1

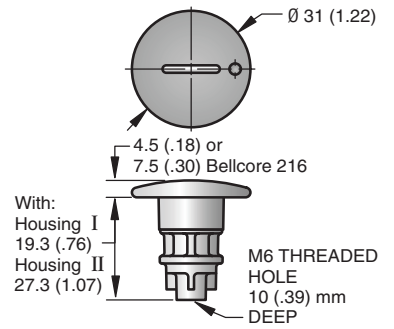
KEY PART NO. E3-15-1

KEY PART NO. E3-16-1

KEY PART NO. E3-17-1

KEY PART NO. E3-18-1

KEY PART NO. E3-19-1



## Pawl and Sealing Options (Mounting Hardware package is included with Pawl.)



If your grip falls between two choices, use the smaller one.

### PAWL TYPE (see below)

### SEALING OPTION

0 = No O-ring or sealing washer

1 = O-ring and sealing washer included for NEMA 4/IP-66 rating

Order Pawl Type	YY=00 •	YY=01 •	YY=02 •	YY=03 •	YY=04 •	YY=05 •	YY=06 •	YY=07 •	YY=08 •	YY=09 •	Order Pawl Type
Using HOUSING I	Do Not Use		2 (.08)	4 (.16)	6 (.24)	8 (.31)	10 (.39)	12 (.47)	14 (.55)	16 (.63)	<b>GRIP</b>
Using HOUSING II	6 (.24)	8 (.31)	10 (.39)	12 (.47)	14 (.55)	16 (.63)	18 (.71)	20 (.79)	22 (.87)	24 (.94)	
Pawl Offset	18 (.71)	16 (.63)	14 (.55)	12 (.47)	10 (.39)	8 (.31)	6 (.24)	4 (.16)	2 (.08)	0 (0)	Pawl Offset
Order Pawl Type	YY=10 •	YY=11 •	YY=12 •	YY=13 •	YY=14	YY=15	YY=16	YY=17	YY=18	YY=19	Order Pawl Type
Using HOUSING I	18 (.71)	20 (.79)	22 (.87)	24 (.94)	26 (1.02)	28 (1.10)	30 (1.18)	32 (1.25)	34 (1.34)	36 (1.42)	<b>GRIP</b>
Using HOUSING II	26 (1.02)	28 (1.10)	30 (1.18)	32 (1.25)	34 (1.34)	36 (1.42)	38 (1.50)	40 (1.57)	42 (1.65)	44 (1.73)	
Pawl Offset	2 (.08)	4 (.16)	6 (.24)	8 (.31)	10 (.39)	12 (.47)	14 (.55)	16 (.63)	18 (.71)	20 (.79)	Pawl Offset