



# E3 VISE ACTION® Compression Latch

Stainless steel housing · Tool operated  
Compact · Fixed grip · 20.1mm size

- Minimal panel intrusion
- Consistent pre-set compression
- Corrosion resistance
- Tool operated for security
- EN 45545-3 E60 Compliant



### Material and Finish

Stainless steel 316 (MIM)

### Performance Details

Compression: 6.4 mm (.25 in)  
Maximum static load: 300 N (67 lbf)

### Sealing Notes

NEMA 4 and IP65 enabled by using supplied flange gasket

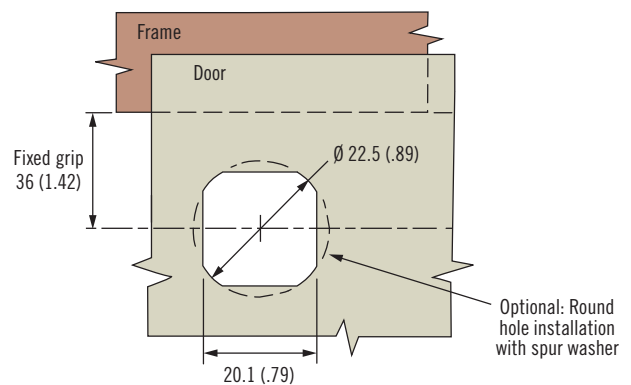
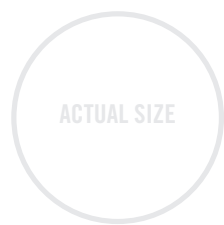
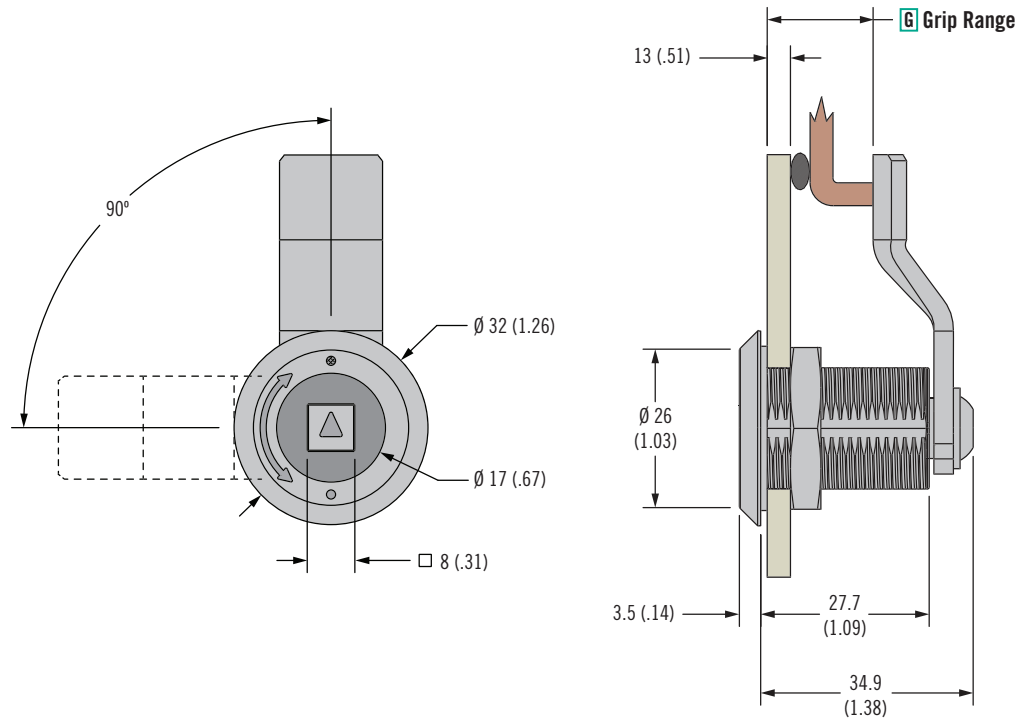
### Installation Notes

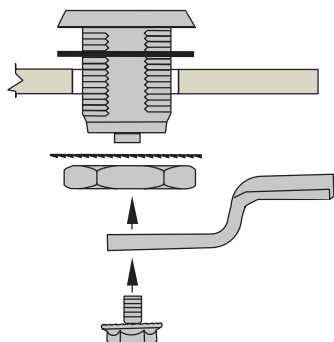
Recommended tightening torque for the mounting nut is 20 N-m (176 in-lbf)  
Fixed Grip: Mounting screw torque 10 N-m (88 in-lbf)

### Keys and Accessories

See pages 118-121

### FIXED GRIP



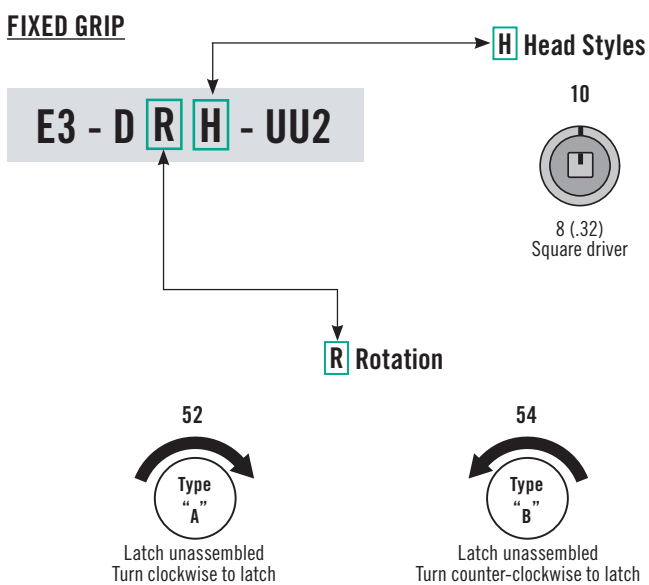


**Part Number Selection**

See table

Order latch and cam separately.

**FIXED GRIP**



Cam Part Number (order separately from latch)			
Grip	Part Number	Grip	Part Number
10 (.39)	E3-28-700-24	30 (1.18)	E3-28-710-24
12 (.47)	E3-28-701-24	32 (1.26)	E3-28-711-24
14 (.55)	E3-28-702-24	34 (1.34)	E3-28-712-24
16 (.63)	E3-28-703-24	36 (1.42)	E3-28-713-24
18 (.71)	E3-28-704-24	38 (1.50)	E3-28-714-24
20 (.79)	E3-28-705-24	40 (1.57)	E3-28-715-24
22 (.87)	E3-28-706-24	42 (1.65)	E3-28-716-24
24 (.94)	E3-28-707-24	44 (1.73)	E3-28-717-24
26 (1.02)	E3-28-708-24	46 (1.81)	E3-28-718-24
28 (1.10)	E3-28-709-24	48 (1.89)	E3-28-719-24

Select grip from Cam table.

If your grip is between two options choose the smaller grip.