



E3 VISE ACTION® Compression Latch

Stainless Steel Housing · Tool operated

Bi-Stable Cover Series · Fixed or Adjustable grip · 19.1mm size

- Consistent pre-set compression
- Designed to work with separate bi-stable cover with fin
- Cover pops open when latch is not secure, providing visual indication of latch status
- Corrosion Resistance
- EN 45545-3 E60 Compliant

Material and Finish

Latch: Stainless steel 316 and 304
Cover: Stainless steel 316

Performance Details

Compression: 6.4 mm (.25 in)
Adjustable Grip: Maximum static load: 600 N (136 lbf)
Fixed Grip: Maximum static load: 450 N (100 lbf)

Sealing Notes

NEMA 4 and IP65 enabled using gasket supplied

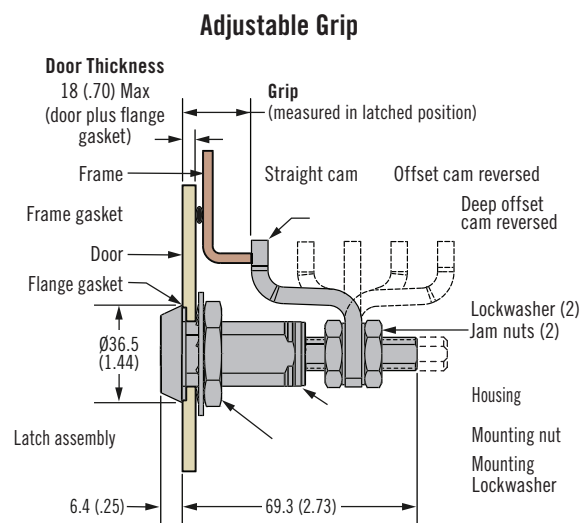
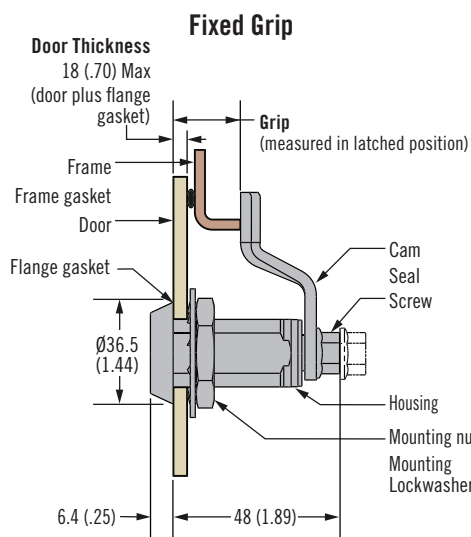
Installation Notes

Recommended tightening torque for the mounting nut is 15 N·m (133 in-lbf).
Adjustable Grip: Position cam so latching function can be achieved comfortably by hand.
Fixed Grip: Mounting screw torque 10 N·m (88 in-lbf)

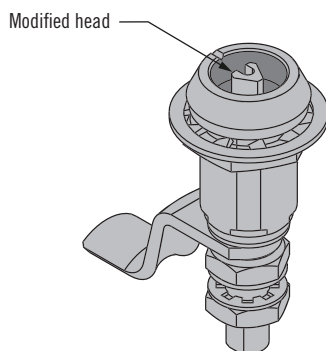
Keys and Accessories

See page 90 (modified head styles work with standard keys)

Make Safety Visible™
by Southco

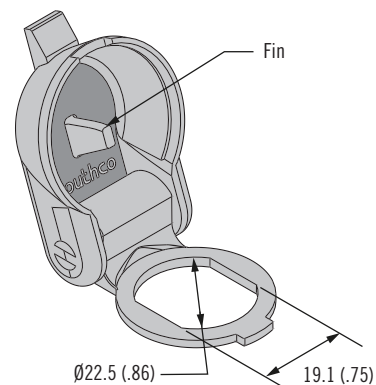


Bi-Stable Cover Latch

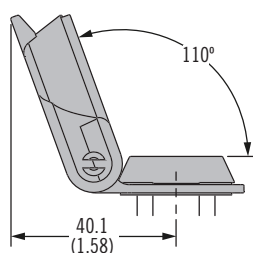


Bi-Stable Cover with fin

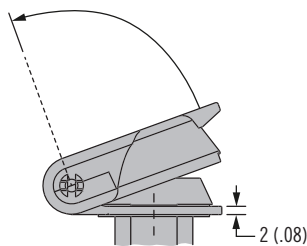
Part number E3-80-251-40 (ordered separately)



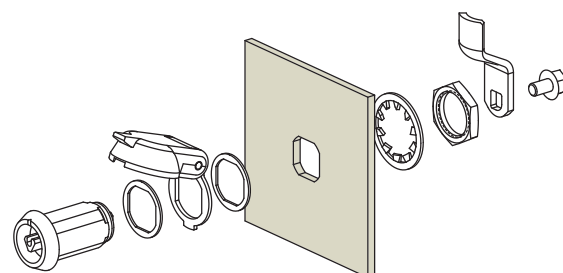
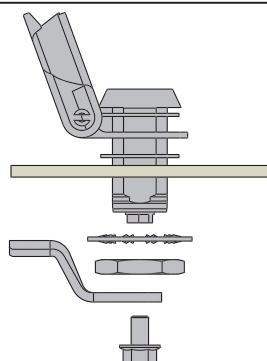
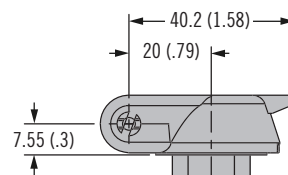
Cover in open position

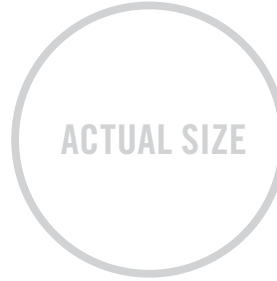
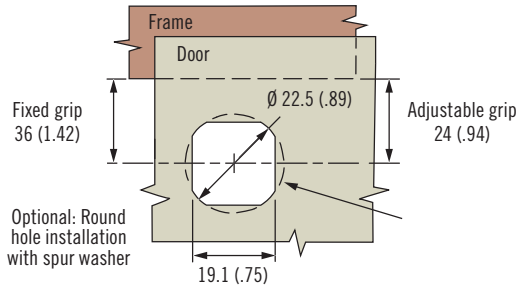


Cover returns to open position

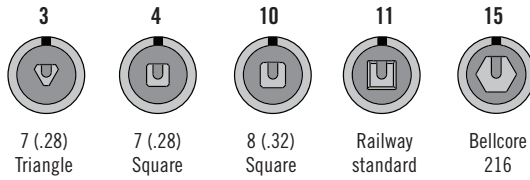


Cover in closed position



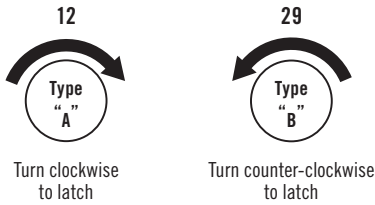


H Head Styles



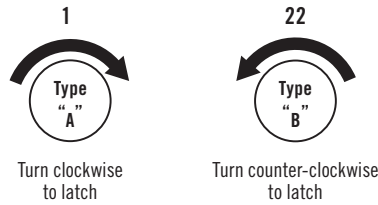
Fixed Grip

R Rotation



Adjustable Grip

R Rotation



E3 - R H B - UUO

Cam Part Number (order separately from latch)			
Grip	Part Number	Grip	Part Number
20 (.79)	E5-1200-24	40 (1.57)	E5-1210-24
22 (.87)	E5-1201-24	42 (1.65)	E5-1211-24
24 (.94)	E5-1202-24	44 (1.73)	E5-1212-24
26 (1.02)	E5-1203-24	46 (1.81)	E5-1213-24
28 (1.10)	E5-1204-24	48 (1.89)	E5-1214-24
30 (1.18)	E5-1205-24	50 (1.97)	E5-1215-24
32 (1.26)	E5-1206-24	52 (2.05)	E5-1216-24
34 (1.34)	E5-1207-24	54 (2.13)	E5-1217-24
36 (1.42)	E5-1208-24	56 (2.20)	E5-1218-24
38 (1.50)	E5-1209-24	58 (2.28)	E5-1219-24

E3 - R H B - 00

Cam Part Number (order separately from latch)			
Minimum Grip	Maximum Grip	Cam Type	Part Number
16.4 (.64)	32.2 (1.26)	Deep offset cam, forward	E3-28-201-24
71.3 (2.80)	81.2 (3.19)	Deep offset cam, reversed	
30.4 (1.19)	46.1 (1.81)	Offset cam, forward	E3-28-202-24
57.6 (2.26)	73.3 (2.88)	Offset cam, reversed	
43.9 (1.72)	59.6 (2.34)	Straight cam	E3-28-203-24

Part Number Selection

See table
 Order Latch and Cam separately
 Bi-Stable Cover with fin:
 E3-80-251-40
 Select grip from Cam table.
 For Fixed Grip, if your grip is
 between two options choose the
 smaller grip

