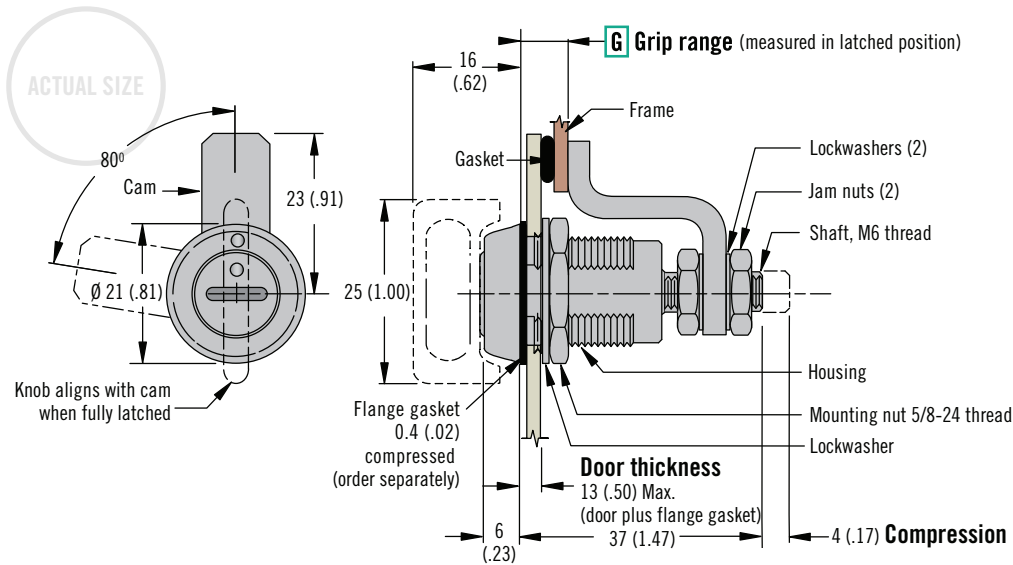


# E3 VISE ACTION® Compression Latch

Small · Zinc and plated steel · Adjustable grip



- Consistent pre-set compression
- Easy grip adjustment
- Tool or hand operated
- Reduced dimensions

### Material and Finish

Zinc alloy, powder coated and steel, zinc plated

### Performance Details

Max. static load: 330 N (75 lbf)

### Sealing Notes

NEMA 4 / IP65 sealing is achieved by using optional flange gasket.

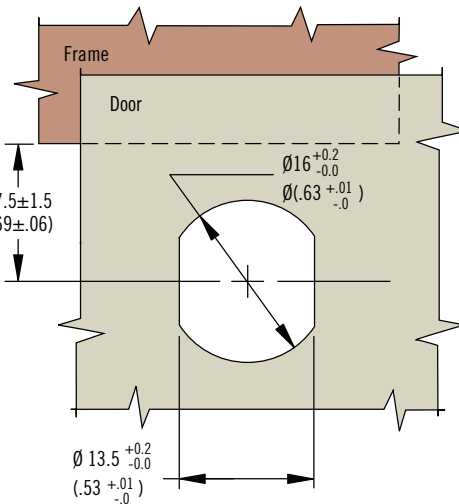
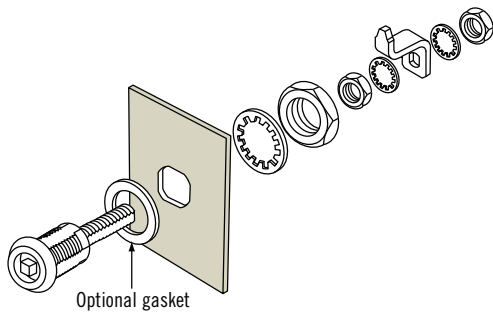
Flange gasket part number: E3-0-30268-02

### Installation Notes

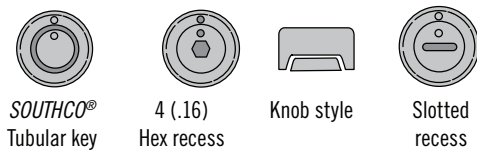
**Caution:** Position cam so latching function can be achieved comfortably by hand.

### Accessories

See pages 58 - 61



### H Head Styles



### H Head style

- 5 SOUTHCO® Tubular key
- 6 Hex recess
- 7 Knob style
- 9 Slotted recess

E3 - 5 H - G F

### F Finish

- 1 Chrome plated
- 5 Black powder coated
- 7 Silver powder coated

G Grip	Min.	Max.
1	3.2 (.13)	6.4 (.25)
2	6.4 (.25)	9.5 (.37)
3	9.5 (.37)	12.7 (.50)
4	12.7 (.50)	15.9 (.63)
5	15.9 (.63)	19 (.75)
6	19 (.75)	22.2 (.87)
7	22.2 (.87)	25.4 (1)
8	25.4 (1)	28.6 (1.13)

### Part Number Selection



Dimensions in millimeters (inch) unless otherwise stated



[www.southco.com/E3](http://www.southco.com/E3)