



E3 VISE ACTION® Compression Latch

Metal injection molding stainless steel housing · Tool or hand operated
Adjustable grip · 13.5mm size

- Consistent pre-set compression
- Easy grip adjustment
- Tool or hand operated
- Reduced dimensions
- EN 45545-3 E60 Compliant

Material and Finish

Stainless steel 316 and 304

Performance Details

Maximum static load: 356 N (80 lbf)

Sealing Notes

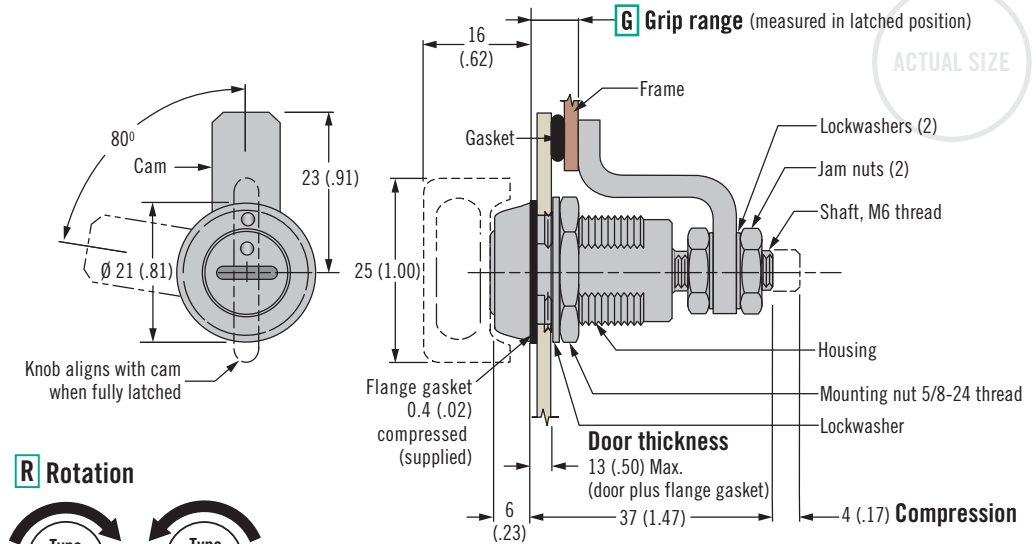
NEMA 4 / IP65 enabled using gasket supplied

Installation Notes

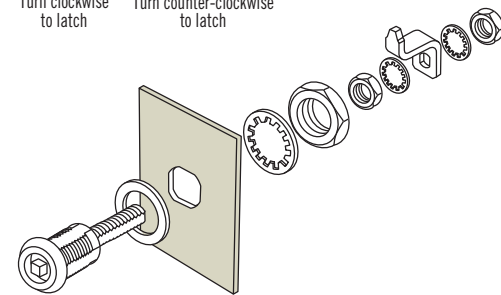
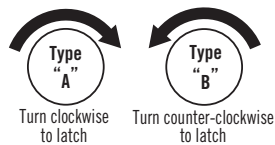
Caution: Position cam so latching function can be achieved comfortably by hand.

Accessories

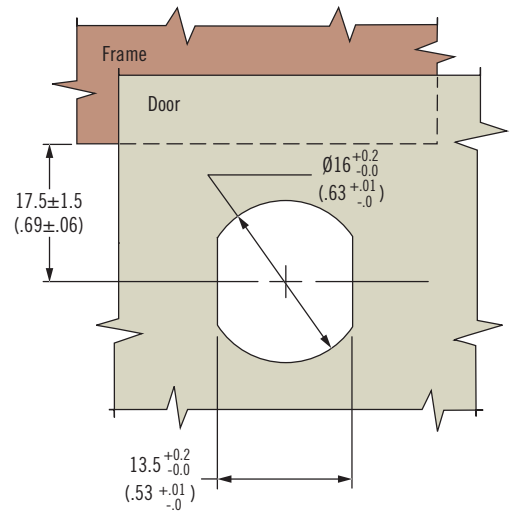
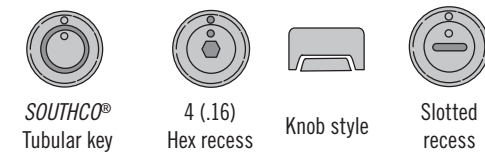
See page 90



R Rotation

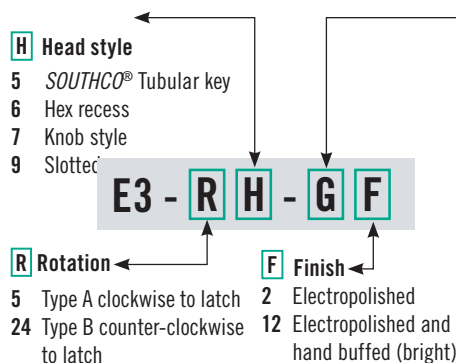


H Head Styles



Part Number Selection

See table



| G Grip | Minimum | Maximum |
|--------|------------|-------------|
| 1 | 3.2 (.13) | 6.4 (.25) |
| 2 | 6.4 (.25) | 9.5 (.37) |
| 3 | 9.5 (.37) | 12.7 (.50) |
| 4 | 12.7 (.50) | 15.9 (.63) |
| 5 | 15.9 (.63) | 19 (.75) |
| 6 | 19 (.75) | 22.2 (.87) |
| 7 | 22.2 (.87) | 25.4 (1) |
| 8 | 25.4 (1) | 28.6 (1.13) |

Other options available. For complete details on variety, part numbers, installation and specification, go to

INFO CLIC www.southco.com/E3

Dimensions in millimeters (inch) unless otherwise stated