



E3 VISE ACTION® Compression Latch

Large · Zinc and plated steel · Tool & hand operated
 Three hole mount · Adjustable grip

- Consistent pre-set compression
- Easy grip adjustment

Material and Finish

Zinc alloy, powder coated or chrome plated and steel, zinc plated

Performance Details

Max. static load: 450 N (100 lbf)

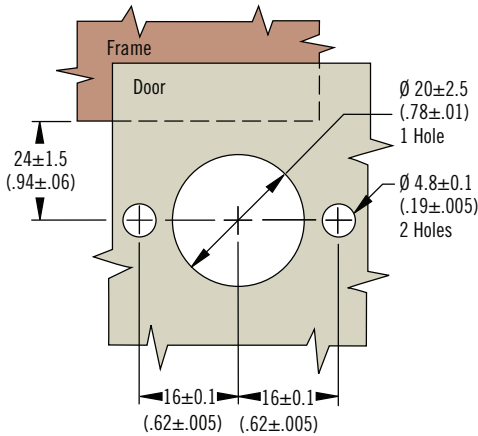
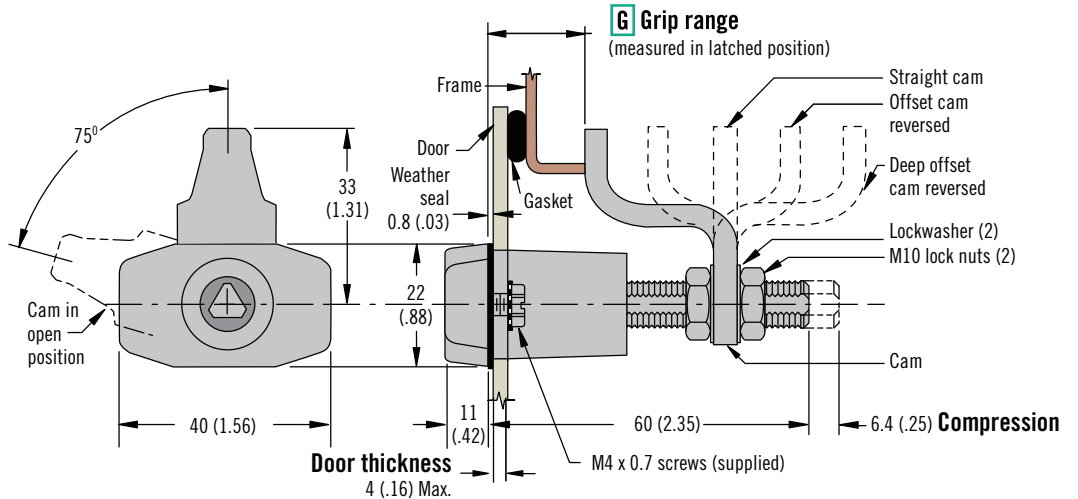
Installation Notes

For door thickness greater than 4 (.16) calculate screw length using the following formula:

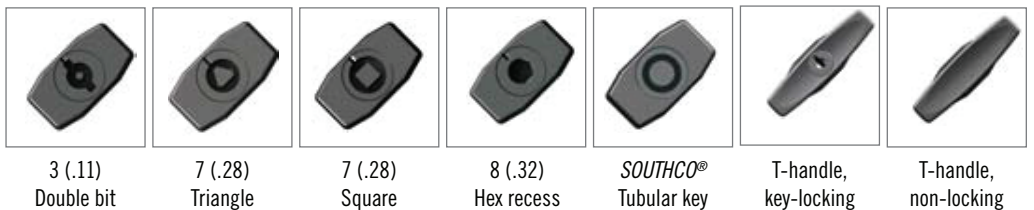
Door thickness + 6 (.24)

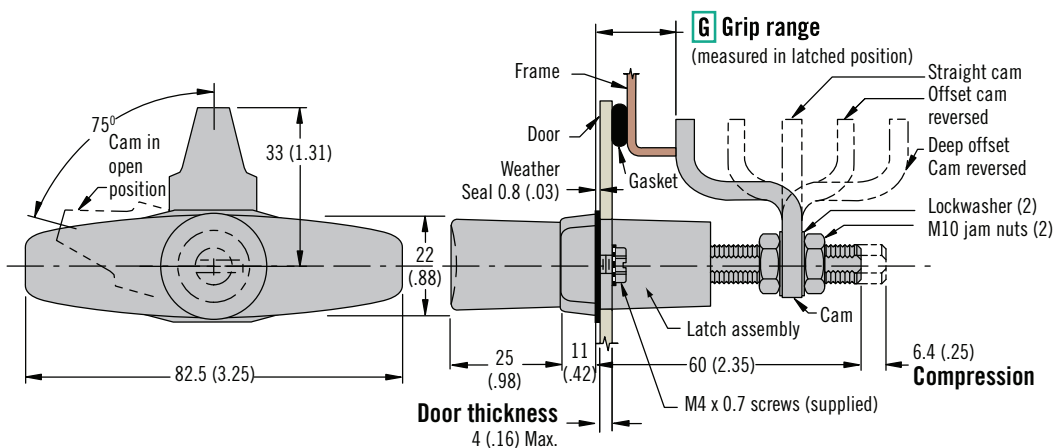
Keys and Accessories

Pages 58 - 61



H Head Styles





Part Number Selection

H Head style

- 1 T-handle non-locking
- 2 3 (.11) Double bit
- 3 7 (.28) Triangle
- 4 7 (.28) Square
- 5 *SOUTHCO*[®] Tubular key
- 6 8 (.32) Hex recess
- 8 T-Handle locking keyed CH751 (two flat keys supplied)

F Finish

- 1 Chrome plated
- 5 Black powder coated
- 7 Silver powder coated

E3 - 3 H - G F

G Grip	Min.	Max.	Cam Type
1	7.9 (.31)	23.6 (.93)	Deep offset cam, forward
	62.7 (2.47)	76.2 (3.00)	Deep offset cam, reversed
2	21.8 (.86)	37.3 (1.47)	Offset cam, forward
	49 (1.93)	64.8 (2.55)	Offset cam, reversed
3	35.3 (1.39)	51 (2.00)	Straight cam