



E3 VISE ACTION® Compression Latch

Large · Zinc and plated steel · Tool operated · Adjustable grip

- Consistent pre-set compression
- Easy grip adjustment
- Tool operated for security

Material and Finish

Zinc alloy, powder coated or chrome plated and steel, zinc plated

Performance Details

Max. static load: 450 N (100 lbf)

Sealing Notes

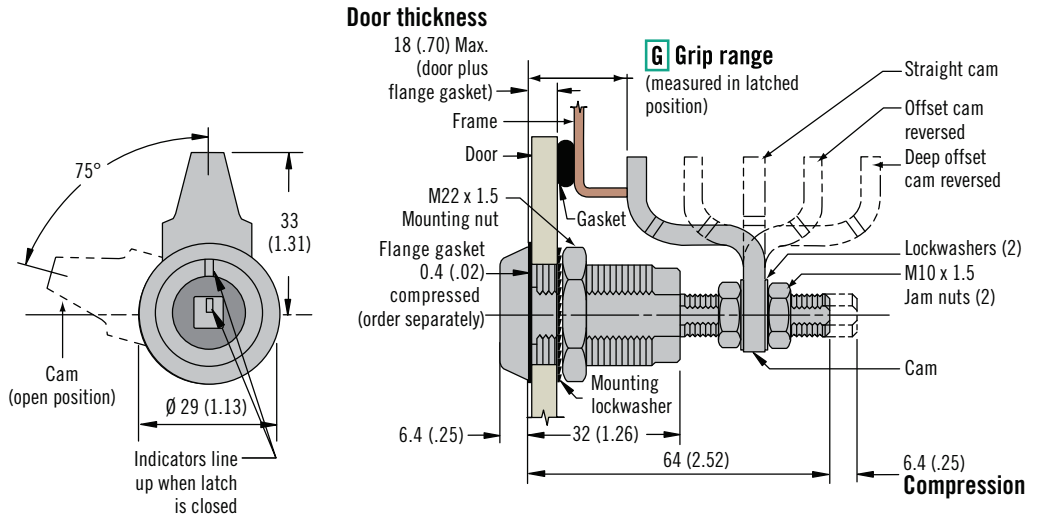
NEMA 4 / IP65 sealing is achieved by using optional flange gasket. Flange gasket part number: E5-17

Installation Notes

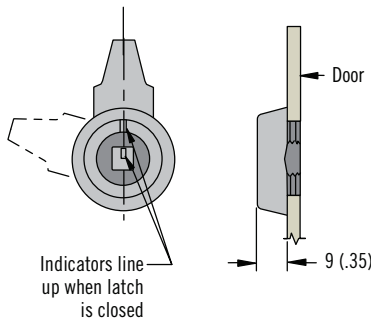
Caution: Position cam so latching function can be achieved comfortably by hand. Recommended tightening torque for the mounting nut is 20 N·m (176 in·lbf).

Keys and Accessories

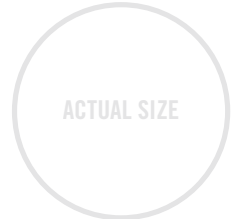
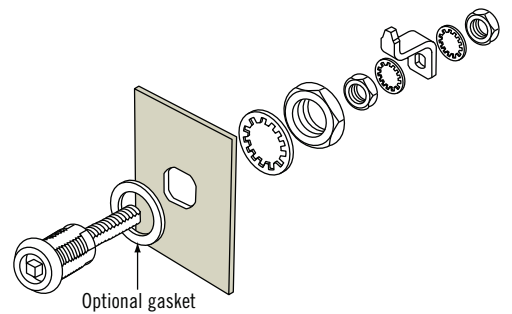
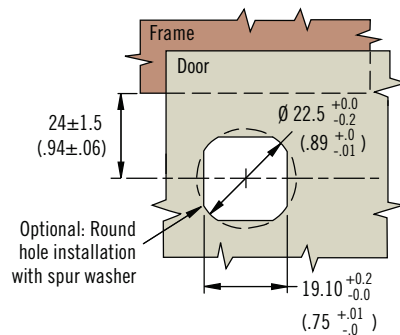
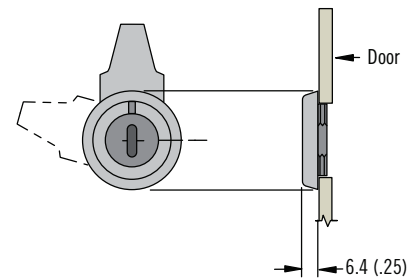
See pages 58 - 61



Railway Standard - Bellcore 216

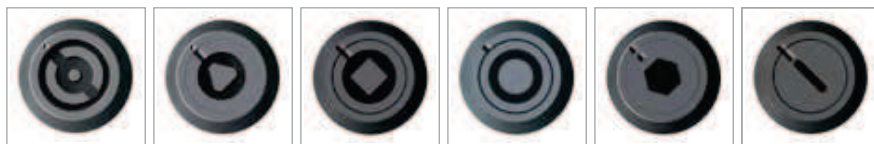


All Other Head Styles (slotted recess shown)



Dimensions in millimeters (inch) unless otherwise stated

H Head Styles (other head styles available)

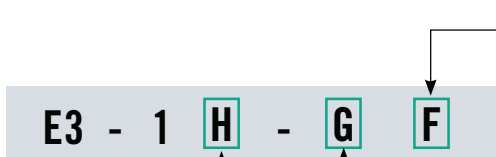


3 (.11) Double bit 7 (.28) Triangle 7 (.28) Square SOUTHCO® Tubular key 8 (.32) Hex recess Slotted recess



8 (.32) Square driver Railway standard Bellcore 216 Bellcore electronics 8 (.32) Triangle 5 (.19) Double bit

Part Number Selection



- F** Finish
- 1 Chrome plated
 - 5 Black powder coated
 - 7 Silver powder coated

- H** Head style
- 2 3 (.11) Double bit
 - 3 7 (.28) Triangle
 - 4 7 (.28) Square
 - 5 SOUTHCO® Tubular key
 - 6 8 (.32) Hex recess
 - 9 Slotted recess
 - 10 8 (.32) Square driver
 - 11 Railway standard
 - 15 Bellcore 216
 - 16 Bellcore electronics
 - 20 8 (.32) Triangle
 - 48 5 (.19) Double bit

G Grip	Min.	Max.	Cam Type
1	11.4 (.45)	27.2 (1.07)	Deep offset cam, forward
	66.3 (2.61)	76.2 (3.00)	Deep offset cam, reversed
2	25.4 (1)	41.1 (1.62)	Offset cam, forward
	52.6 (2.07)	68.3 (2.69)	Offset cam, reversed
3	38.9 (1.53)	54.6 (2.15)	Straight cam

