



# CB Hinge

Counterbalanced • Position Control

- Counterbalance technology allows for easy opening / closing of heavy panels
- Accommodates a wide variety of panel weights
- Adjustability feature allows fine tuning of panel motion
- Long cycle life

## Material and Finish

Aluminum, black anodized

## Installation Notes

See Trade Drawings for more information.

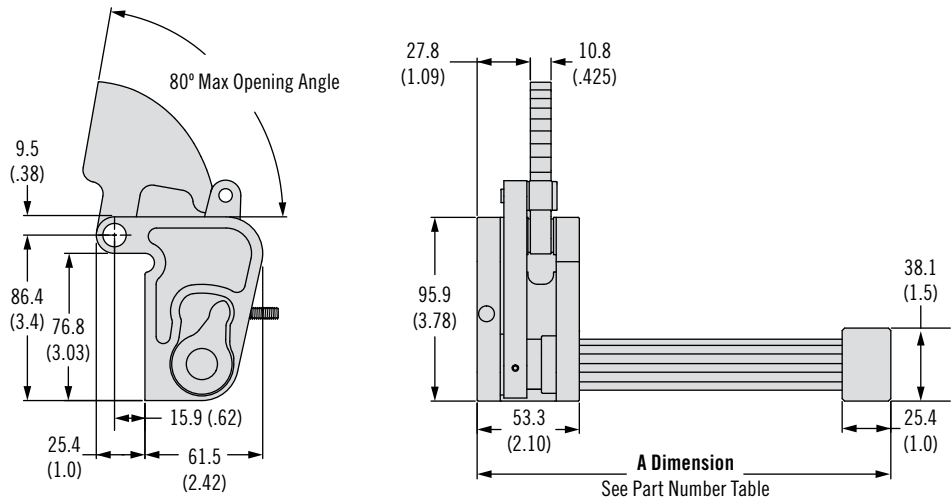
## Application



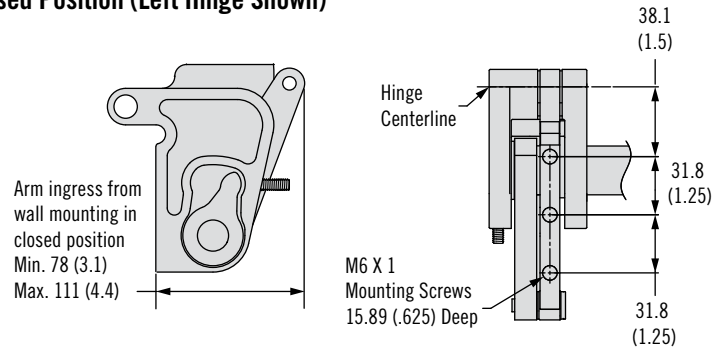
## Part Number

See table

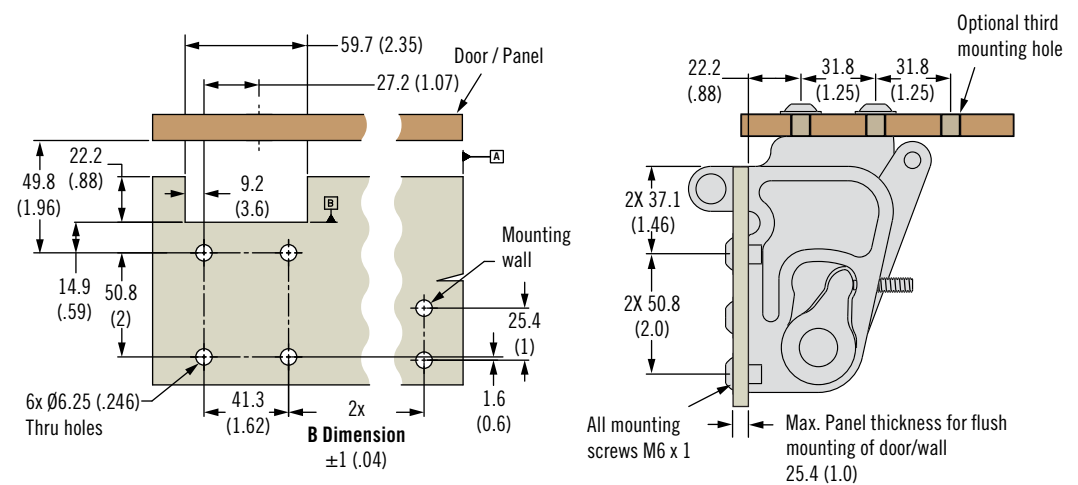
## Open Position (Left Hinge Shown)



## Closed Position (Left Hinge Shown)



## Panel Preparation (Left Hinge Shown)



Note: Wall panel prep shown for left-hand assembly. All geometry mirrored about "A" datum for right-hand units

Other options available. For complete details on variety, part numbers, installation and specification, go to



[www.southco.com/CB](http://www.southco.com/CB)

Dimensions in millimeters (inch) unless otherwise stated

**southco**  
CONNECT · CREATE · INNOVATE

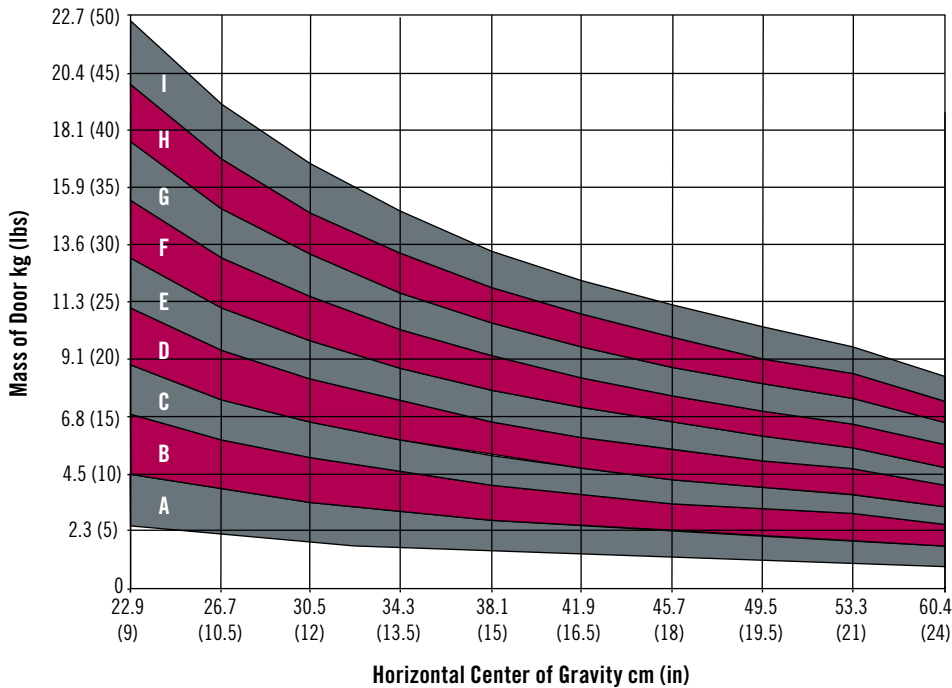
# CB Hinge

Counterbalanced • Position Control

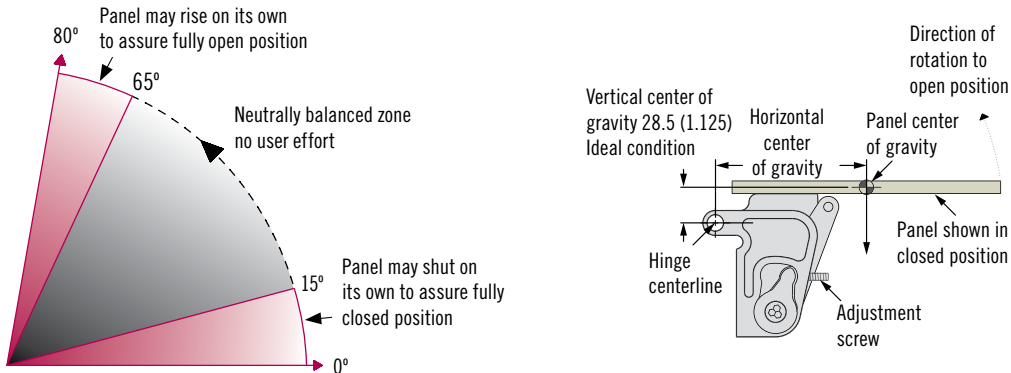


338C

## Counterbalance Hinge Selection Guide (per hinge)



## Panel Balance Characteristics (typical)



Part Number		Graph Selection Zone	A Dimension cm (in)	B Dimension cm (in)	Torque N•m (lbf-in) (per hinge)		
Left	Right				Nominal	Minimum	Maximum
CB-11-101-00-10	CB-12-101-00-10	A	21.6 (8.5)	15.59 (6.14)	8.8 (78)	5.7 (50)	10.2 (90)
CB-11-102-00-10	CB-12-102-00-10	B	28.6 (11.13)	22.25 (8.76)	13.5 (119)	10.2 (90)	15.5 (137)
CB-11-103-00-10	CB-12-103-00-10	C	34.3 (13.50)	28.29 (11.13)	18.2 (161)	15.5 (137)	19.8 (175)
CB-11-104-00-10	CB-12-104-00-10	D	40.0 (15.75)	34.00 (13.39)	22.8 (202)	19.8 (175)	24.9 (220)
CB-21-101-00-10	CB-22-101-00-10	E	29.2 (11.50)	22.07 (8.68)	27.7 (245)	24.9 (220)	29.4 (260)
CB-21-102-00-10	CB-22-102-00-10	F	30.9 (12.17)	24.93 (9.80)	32.2 (285)	29.4 (260)	34.5 (305)
CB-21-103-00-10	CB-22-103-00-10	G	34.1 (13.42)	28.10 (11.05)	37.3 (330)	34.5 (305)	39.5 (350)
CB-21-104-00-10	CB-22-104-00-10	H	37 (14.54)	30.96 (12.18)	42.4 (375)	39.5 (350)	44.6 (395)
CB-21-105-00-10	CB-22-105-00-10	I	40.8 (16.04)	34.77 (13.68)	47.5 (420)	44.6 (395)	50.3 (445)