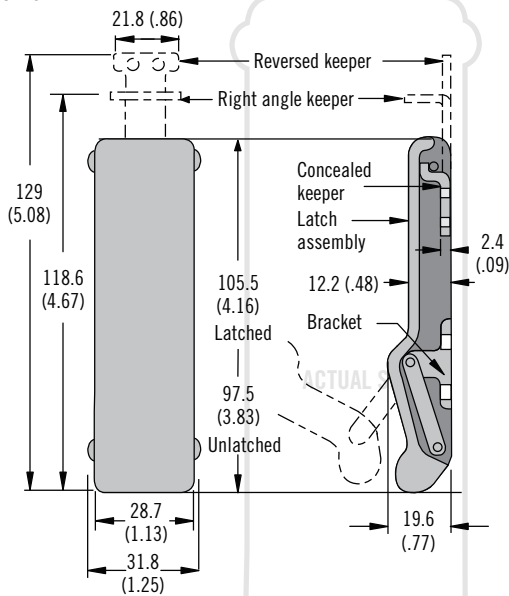


C7 Draw Latch

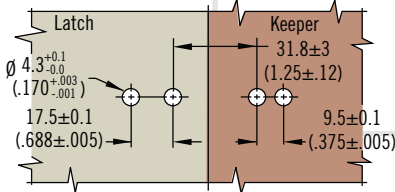
Flexible · Over-center



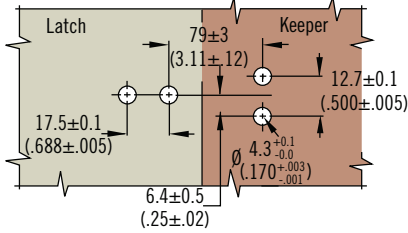
Small



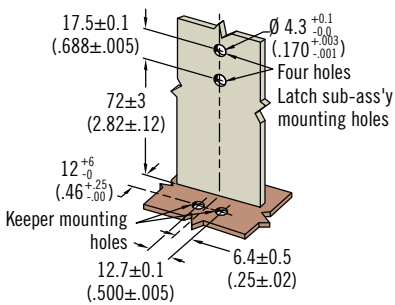
For concealed keeper



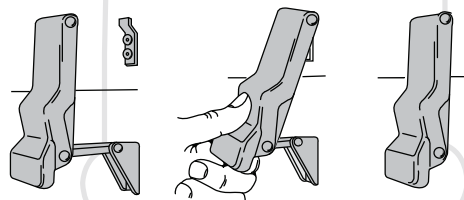
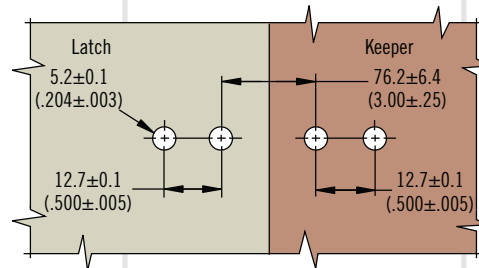
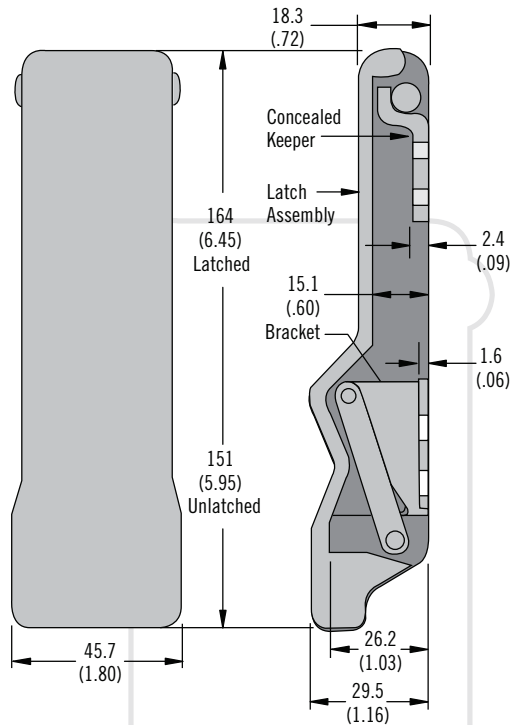
For reversed keeper



For right angle keeper



Large



Size	Keeper Style	Assembly Part Number
Small	Concealed	C7-10
	Reverse Keeper	C7-11
	Right Angle Keeper	C7-12
Large	Concealed	C7-20

- Low profile design
- Non-corrosive materials
- Cushions impact and accommodates misalignment

Material and Finish

Latch:

Thermoplastic elastomer black

Link and bushings:

Glass reinforced nylon

Keeper and bracket: Stainless steel

Performance Details

Small:

Clamping force: 49 N (11 lbf)

Large:

Clamping force: 176 N (40 lbf)

Flammability rating: UL94-HB

Installation Notes

Small:

Install assembly with four Ø 4 (.170) rivets or M4 (No. 8) screws (not supplied)

Large:

Install assembly with four Ø5 (.204) rivets or M5 (No. 10) screws (not supplied)

Part Number

See table

Assembly complete with keeper