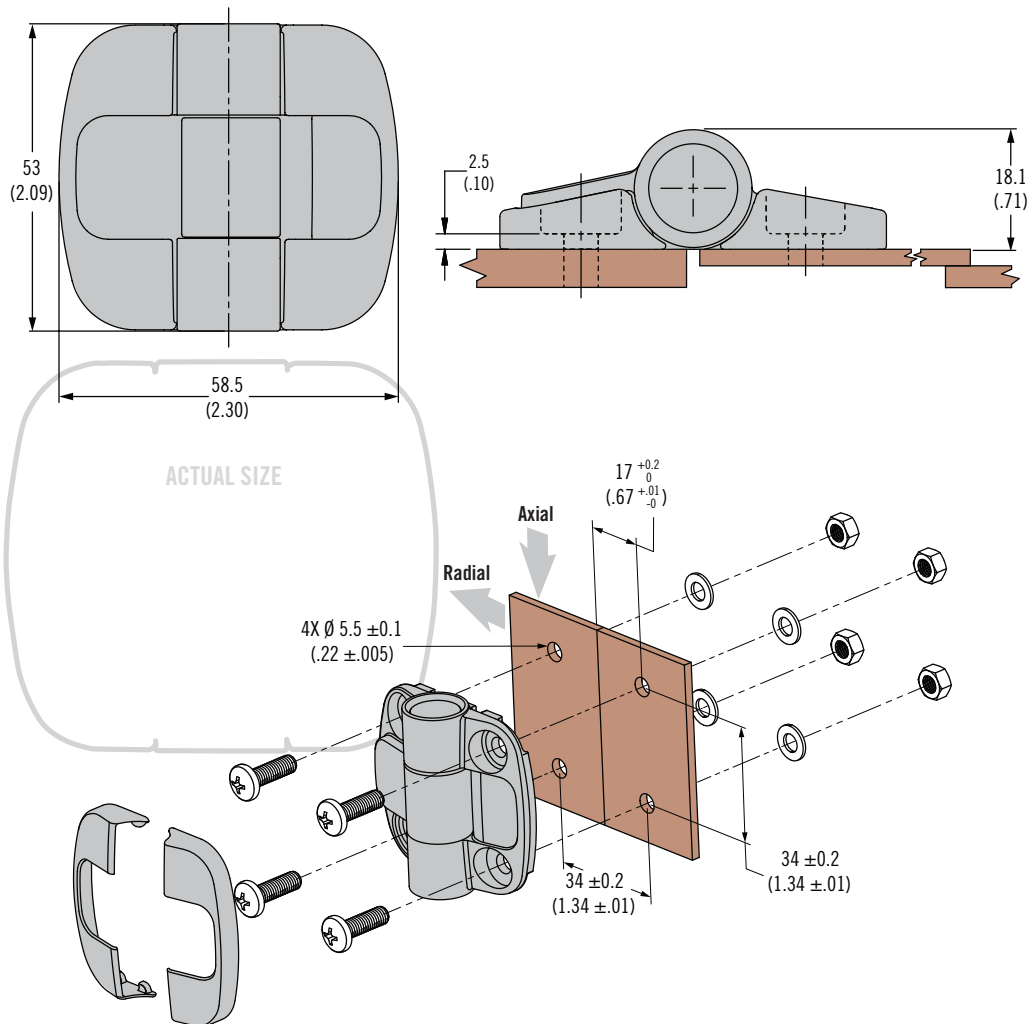


# C6 Hinge

Position control · Detent



- Holds doors open without secondary mechanical support
- Detents holds door at 80°, 115° or 150°
- All versions can be further opened to 180°

### Material and Finish

Acetal, black  
Internal components:  
Stainless steel

### Performance Details

Radial load:

Maximum static load:

450 N (100 lbf)

Average ultimate load:

2600 N (575 lbf)

Axial load:

Maximum static load:

450 N (100 lbf)

Average ultimate load:

1800 N (400 lbf)

Cycle life: Up to 20,000

Operating temperature range:

-40°C (-40°F) to 80°C (180°F)

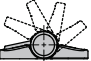
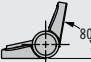


### Installation Notes

Mounting hardware not supplied.

Designed to accommodate M5 (No. 10) mounting hardware with a maximum head diameter of 10.1 (.40) and a maximum head height of 3 (.12).

### Part Number

See table

Type	Positioning Torque N·m (in·lbf)	Part Number
 No Detents	Free operating	C6-220
 80 Degree	0.7 (6)	C6-221
	1.1 (10)	C6-222
	1.7 (15)	C6-223
 115 Degree	0.7 (6)	C6-224
	1.1 (10)	C6-225
	1.7 (15)	C6-226
 150 Degree	0.7 (6)	C6-227
	1.1 (10)	C6-228
	1.7 (15)	C6-229

Dimensions in millimeters (inch) unless otherwise stated



Global Corporate Headquarters and Americas Customer Service & Technical Support Center  
Concordville, PA – USA · Tel: (1) 610-459-4000 · Fax: (1) 610-459-4012

Other options available. For complete details on variety, part numbers, installation and specification, go to



[www.southco.com/C6](http://www.southco.com/C6)