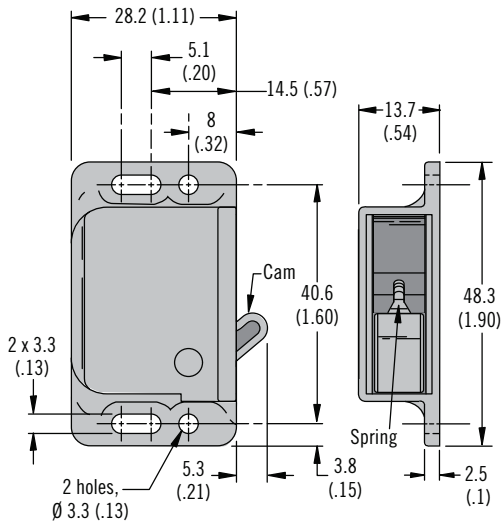


C3 Push-to-Close Latch

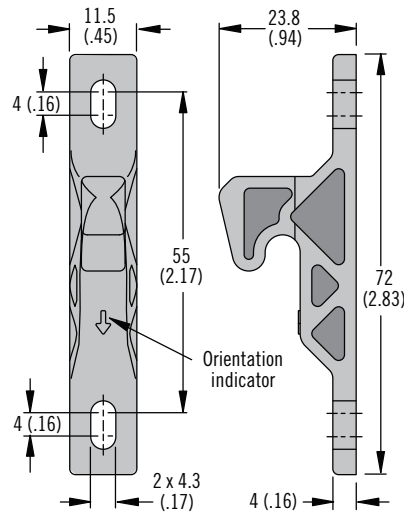
Pull-to-open · Grabber catch · Side mount



Catch



Keeper



- Spring-loaded over-center latching
- One assembly includes catch and keeper

Material and Finish

PC/ABS, black and glass-filled nylon, black, mineral filled nylon, black

Performance Details

Operating temperature range: -30°C (-20°F) to 60°C (140°F)

Flammability rating: UL94-HB

Installation Notes

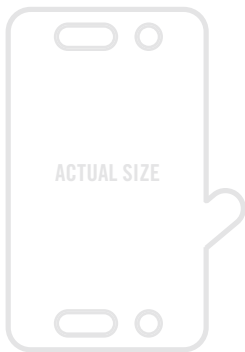
Max. tightening torque on mounting screws: (not supplied)

Catch: 1.1 N·m (9.7in-lbf)

Keeper: 2.8 N·m (24.8in-lbf)

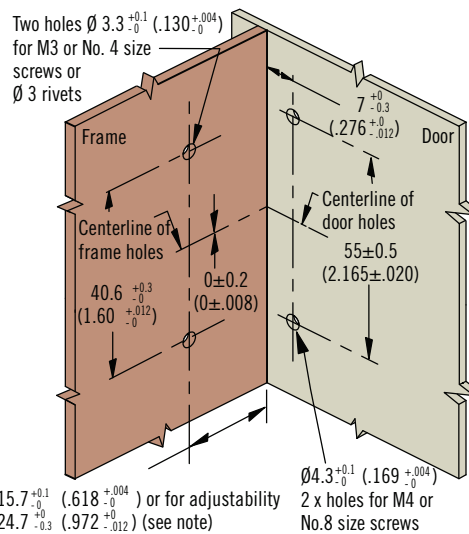
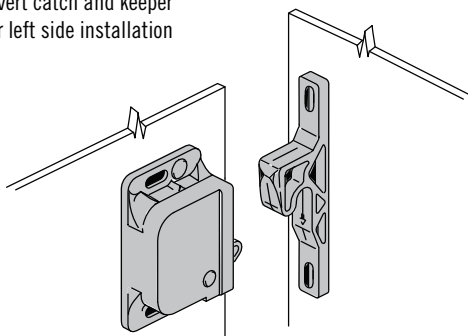
Orient **keeper** to latch. The arrow on the keeper should point towards the cam. Mount to door and adjust for smooth latching.

Min. distance from frame (or surface on which catch sub-assembly is mounted) to centerline of door hinge is 150 (5.9)



Right Side Installation Shown

Invert catch and keeper for left side installation



Note: These holes and dimensions are used only if adjustability through the use of slotted holes in catch is desired.

Approximate Pull-Up Force	Spring Color	Part Number
13 N (3 lbf)	Blue	C3-803
22 N (5 lbf)	Silver	C3-805
44 N (10 lbf)	Black	C3-810

Part Number

See table