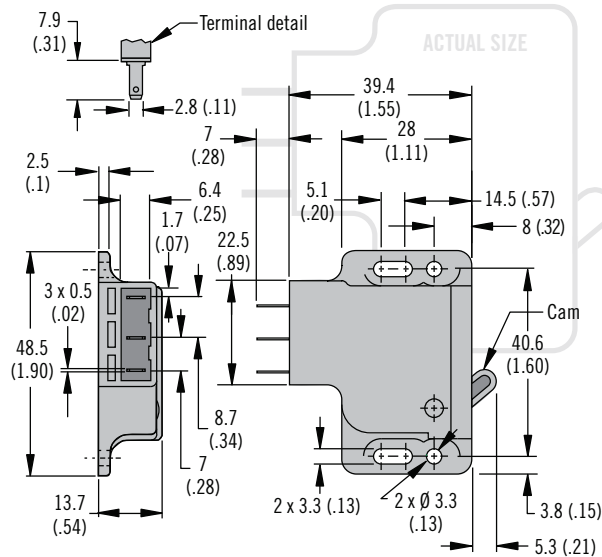




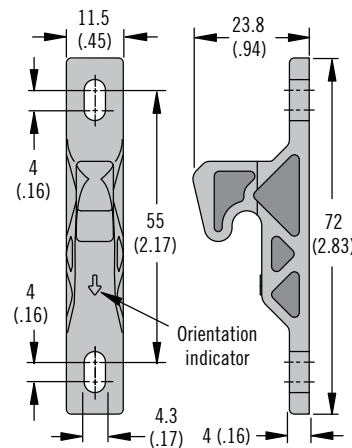
C3 Push-to-Close Latch

Pull-to-open · Grabber catch with integral Microswitch

Catch



Keeper



- Opens and closes switch contacts with door operation
- One assembly includes catch and keeper
- Spring loaded over-center latching

Material and Finish

PC/ABS, black and glass-filled nylon, black

Performance Details

Operating temperature range: -40°C (-40°F) to 60°C (140°F)

Flammability rating: UL94-V0

Installation Notes

Max. tightening torque on mounting screws (not supplied):
 Catch 1.1 N·m (9.7 in·lbf)
 Keeper 2.8 N·m (24.8 in·lbf)
 Orient **keeper** to latch. The arrow on the keeper should point towards the cam. Mount to door and adjust for smooth latching.

Notes

This product is specifically designed to be used as a mechanical grabber catch with an electric switch. The switch is designed to operate an indicator light or form part of a non-safety related logic circuit. This is not designed for use as a safety interlock.

Terminal cover is used for protection during shipping only. Use strain relief on wires.

Min. distance from frame (or surface on which catch sub-assembly is mounted) to centerline of door hinge is 150 (5.9)

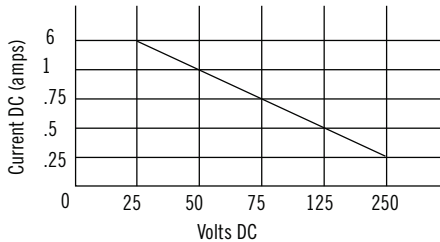
Part Number

See table



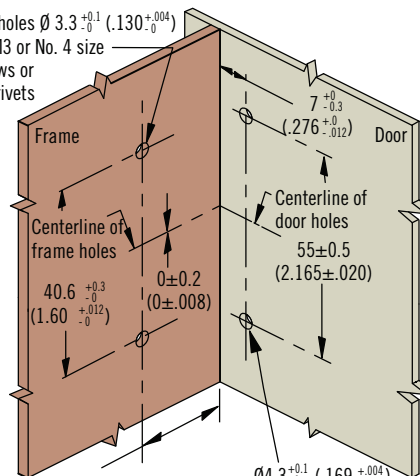
www.southco.com/C3

Switch specification. Subminiature VDE, UL approved. Switch is fitted with fast-on terminals. Max AC voltage 250V, max AC current 6A. See graph below for DC resistive load.



Over 50 V DC, inductive loads should be greatly reduced

Two holes $\varnothing 3.3^{+0.1}_{-0}$ (.130^{+0.004}) for M3 or No. 4 size screws or $\varnothing 3$ rivets

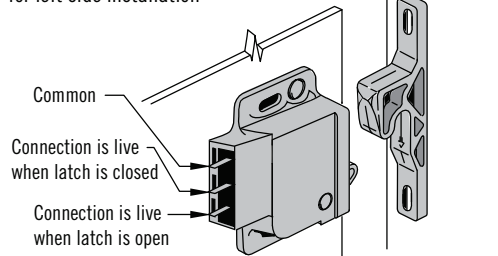


15.7^{+0.1}₀ (.618^{+0.004}₋₀) or for adjustability 24.7⁺⁰_{-0.3} (.972⁺⁰_{-0.012}) (see note)

Note: These holes and dimensions are used only if adjustability through the use of slotted holes in catch is desired.

Right Side Installation Shown

Invert catch and keeper for left side installation



| Approximate Pull-Up Force | Spring Color | Part Number |
|---------------------------|--------------|-------------|
| 13 N (3 lbf) | Blue | C3-1803 |
| 22 N (5 lbf) | Silver | C3-1805 |
| 44 N (10 lbf) | Black | C3-1810 |

Dimensions in millimeters (inch) unless otherwise stated