

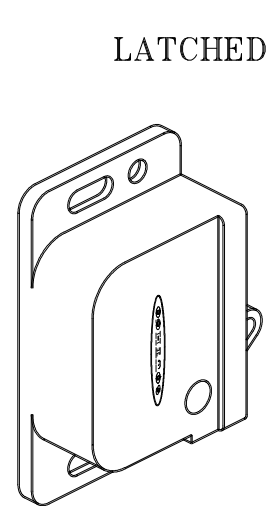
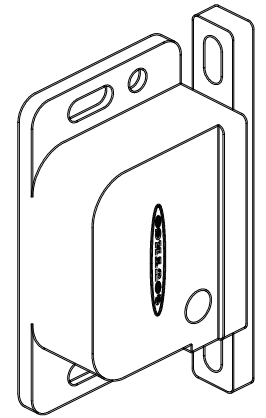
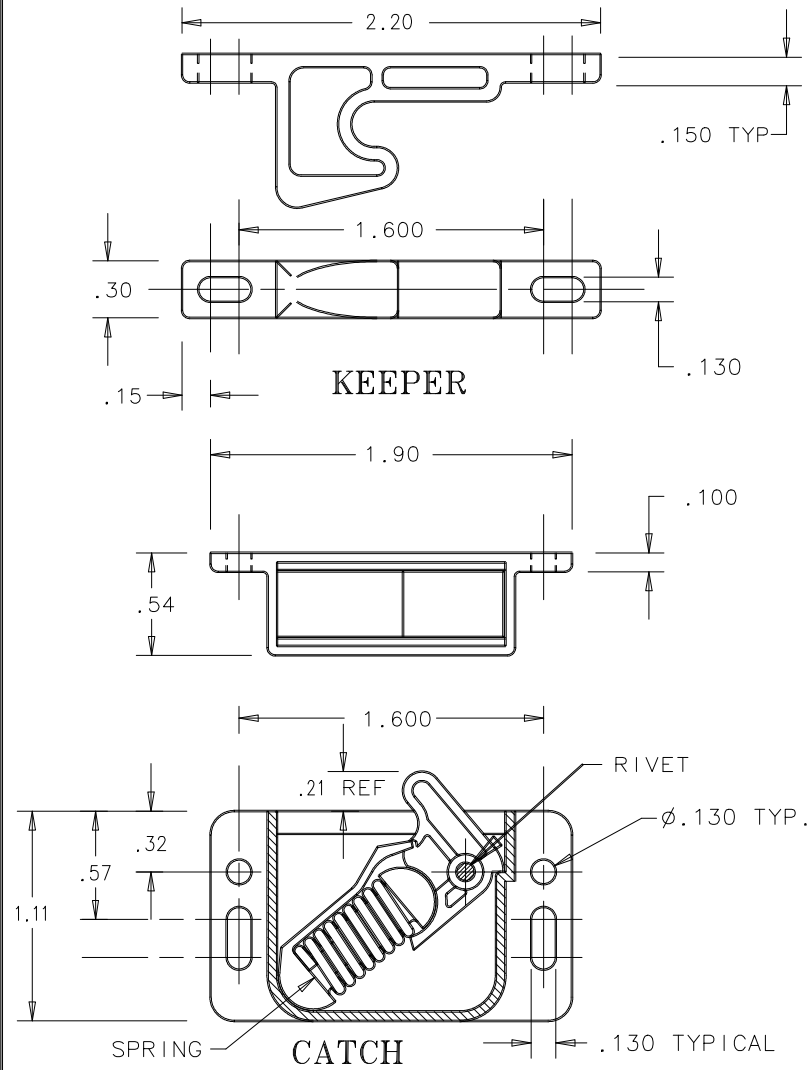
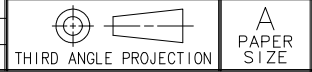
**southco**

PROPRIETARY ITEM - EXCEPT FOR USES EXPRESSLY GRANTED IN WRITING INFORMATION DISCLOSED HEREON IS CONFIDENTIAL AND ALL RIGHTS PATENT AND OTHERWISE ARE RESERVED BY SOUTHCO, INC.

SOUTHCO No. C3 DOOR CATCH ASSEMBLIES

DATE	DRAWN	CHKD	SCALE	DRAWING NUMBER
11-23-91	JAD	JHV	1:1	J-C3-2

REV	DATE	DRAWN/CHKD	DESCRIPTION	ITEM	MATERIAL	FINISH	ASSEMBLY PART NUMBERS		INCHES
F	06MAR1995	MSB/	PRN: C3-75	RIVET	5056 ALUMINUM	NATURAL	PULL-UP FORCE	COLOR	
G	16MAY1995	MDM/	PRN: C3-78	HOUSING	PC/ABS, SEE NOTE D		BLACK	WHITE	
H	02AUG1996	GDM/	PRN: C3-98	KEEPER	ABS		C3-203	C3-203-W	
I	23MAR2004	AAB/RLR	PRN: P2004-0308	SPRING	302 STAINLESS STEEL	PASSIVATED	C3-205	C3-205-W	
J	05FEB2019	CMS/BS	PRN: P2019-0308	OTHER COMPONENTS	GLASS FIBER REINFORCED NYLON		C3-210	C3-210-W	



PACKAGING NOTES:-  
 A. CATCH & KEEPER SHIPPED SEPARATELY, BULK.  
 B. FOR CATCH & KEEPER PACKAGED ONE ASSEMBLY PER BAG, ADD SUFFIX "-P" TO THE PART No.  
 C. 3 & 10 LB. ASSEMBLIES ARE PASSIVATED-BLACK OXIDE.  
 D. C3-210 BLACK HOUSING MADE WITH GF NYLON.  
 INSTALLATION INSTRUCTIONS:  
 1) MOUNT CATCH TO FRAME  
 2) ORIENT KEEPER TO LATCH, MOUNT TO DOOR AND ADJUST FOR SMOOTH LATCHING.

