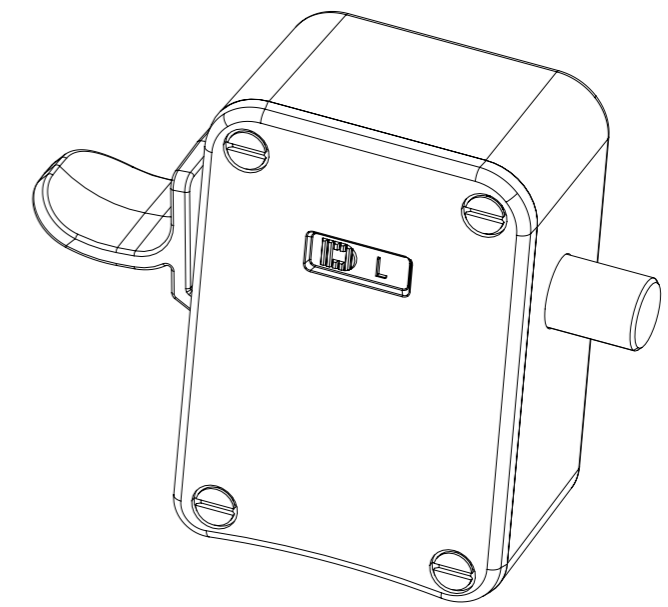
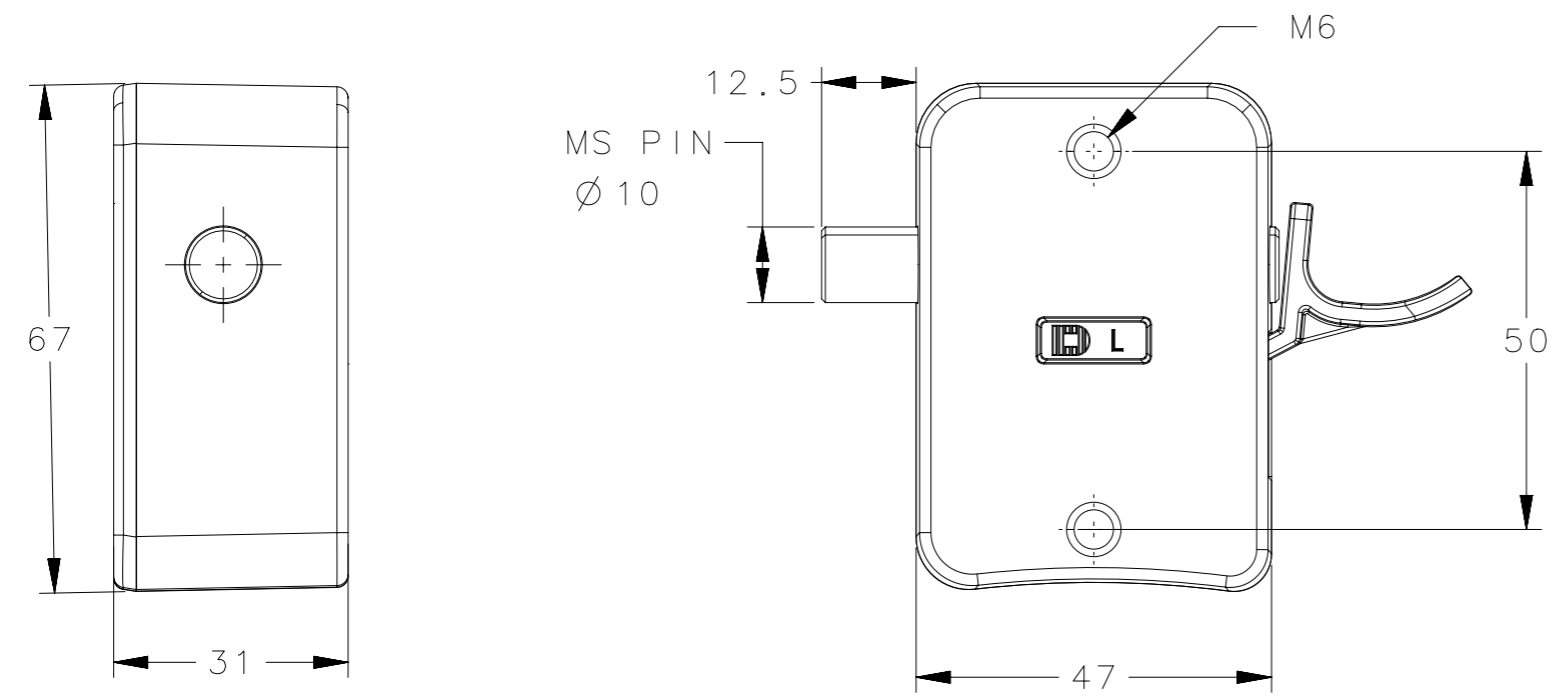
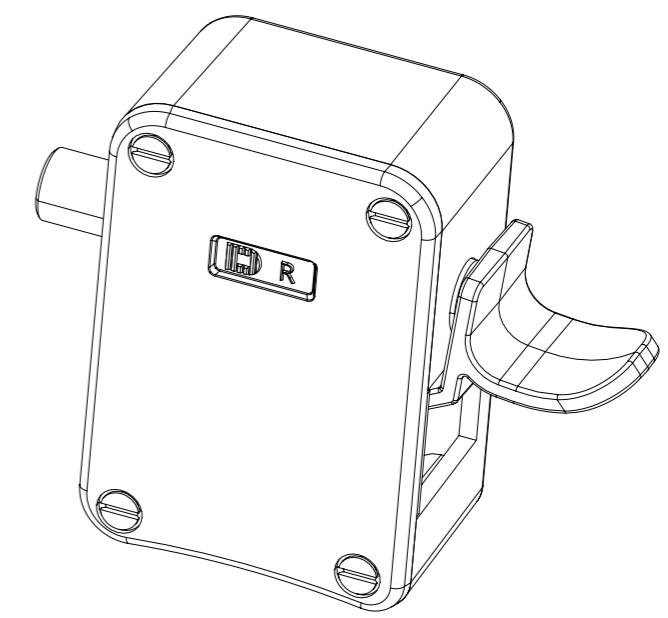


REVISION HISTORY			
REV	DATE	BY	DESCRIPTION
D	26JUN2025	SDR/CRM	PRN:P2025-1100

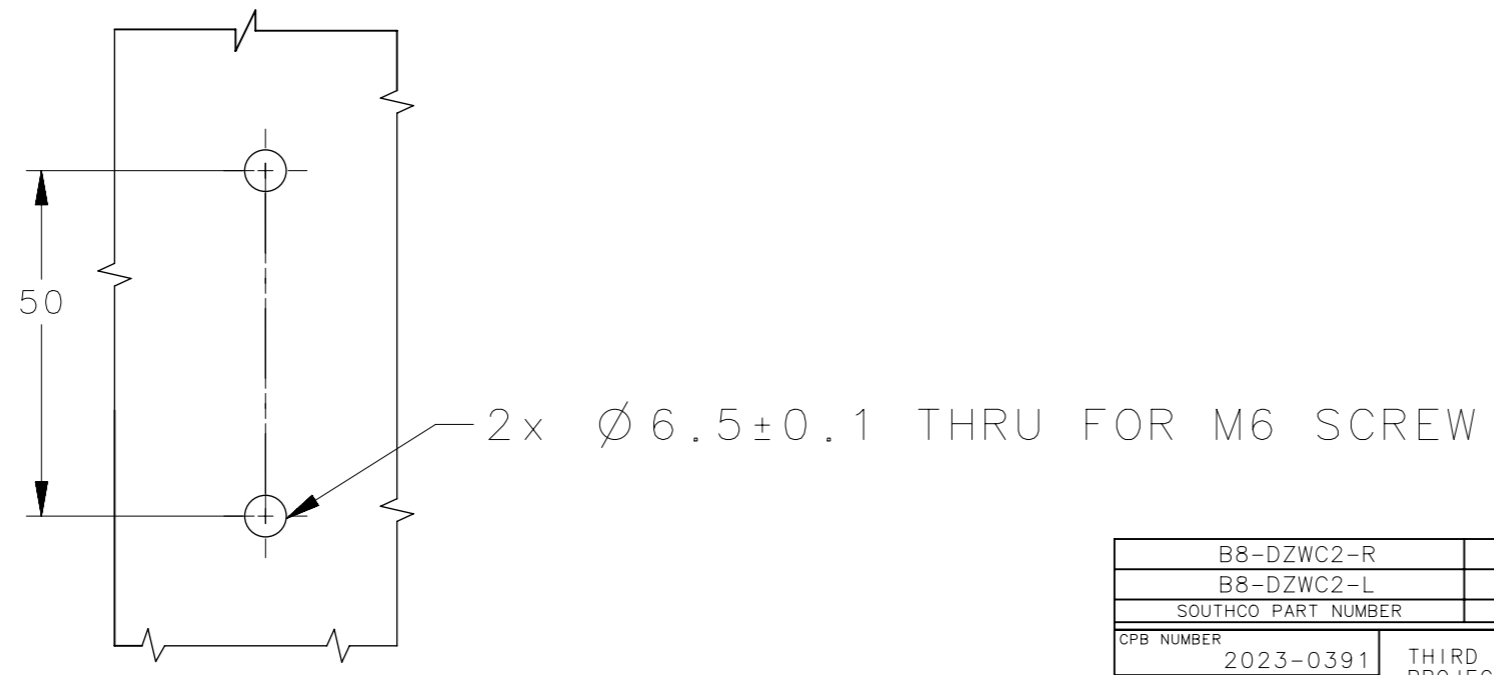


B8-DZWC2-L



B8-DZWC2-R

PANEL PREPARATION



NOTES:-
 1. M6 SCREW TO BE USED FOR ASSEMBLY.
 SCREW LENGTH SHALL BE SELECTED AS PER PANEL THICKNESS.
 HEAD STYLE MAY VARY BASED ON AVAILABILITY. HARDWARE (SCREW) IS NOT SUPPLIED WITH THIS PART.

B8-DZWC2-R	B8 - SLIDING WINDOW LATCH	POLYAMIDE	BLACK
B8-DZWC2-L	B8 - SLIDING WINDOW LATCH	POLYAMIDE	BLACK
SOUTHCO PART NUMBER	DESCRIPTION	MATERIAL	FINISH
CPB NUMBER 2023-0391	THIRD ANGLE PROJECTION	 CONNECT • CREATE • INNOVATE	
	MILLIMETERS [IN]		
SURFACE AREA mm ²	TOLERANCES UNLESS OTHERWISE NOTED	DESCRIPTION B8 - SLIDING WINDOW LATCH	
VOLUME mm ³	ALL DIMENSIONS WITHOUT TOLERANCES ARE FOR REFERENCE ONLY.	SIZE A3	SYSTEM NX
PROPRIETARY ITEM <small>EXCEPT FOR USES EXPRESSLY GRANTED IN WRITING, INFORMATION DISCLOSED HEREON IS CONFIDENTIAL AND ALL RIGHTS, PATENT AND OTHERWISE, ARE RESERVED BY SOUTHCO, INC.</small>	PER ASME Y14.5M-2009	DWG NO. J-B8-DZWC2	DATE 09AUG2023
		DRAWN BY SBK	SCALE 1:1
			SHEET 1 OF 1