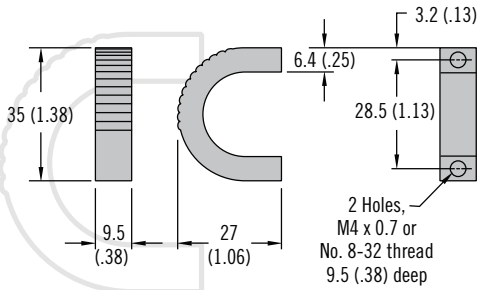


B4 Handle

Surface mount

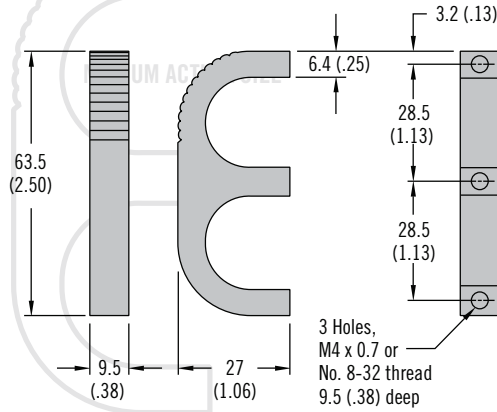


Small

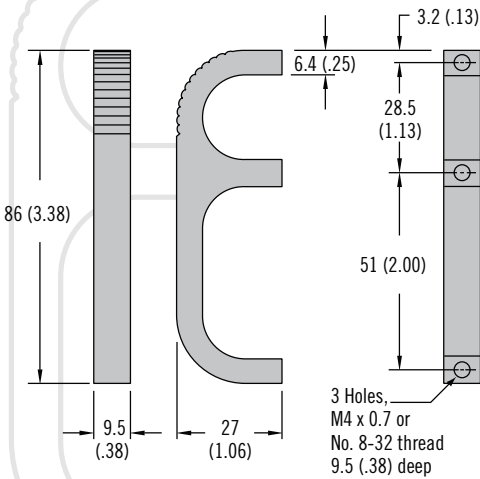


SMALL ACTUAL SIZE

Medium

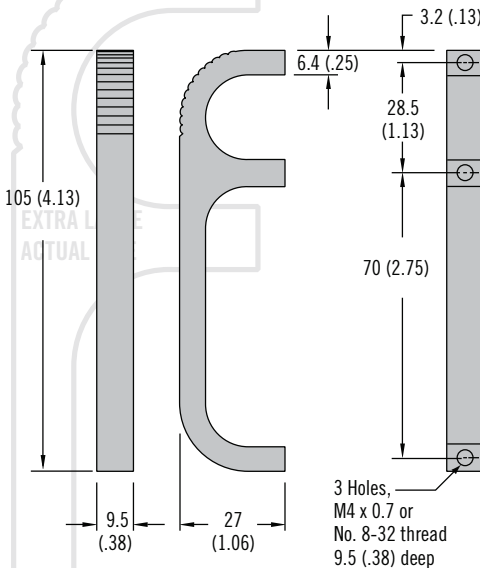


Large



LARGE ACTUAL SIZE

Extra Large



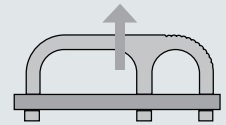
- Easy concealed installation
- Light-weight

Material and Finish

Aluminum, anodized, clear or black

Performance Details

Max. static load: 5560 N (1250 lbf)



Installation Notes

Screws not supplied.

Calculate screw length using the following formula:

Door thickness + 9.5 (.38)

Center screw may be eliminated if desired (200, 300 and 400 Series)

Max. recommended tightening torque of mounting screws:

2.3 N•m (20 in•lbf) (not supplied)

Part Number Selection

B4 - T - S 0 3 - 1 F - P

T Tapped mounting hole

- 10 Imperial 8-32
- 50 Metric M4 x 0.7

S Size

- 1 Small
- 2 Medium
- 3 Large
- 4 Extra large

P Packing option

- Omit for individual packaging
- 3 Layer packaged contact Southco

F Finish

- 1 Clear anodized
- 5 Black anodized