



# AV Series Dynamic Mounting Arm

Tilt and swivel · Double arm · Height Adjusting

- Intuitive grab and move operation enhances the user experience**

No knobs or tools required to reposition the display

Precise control of operating effort ensures ideal “feel” and eliminates “drift”

Holds securely, even in applications with dynamic loading

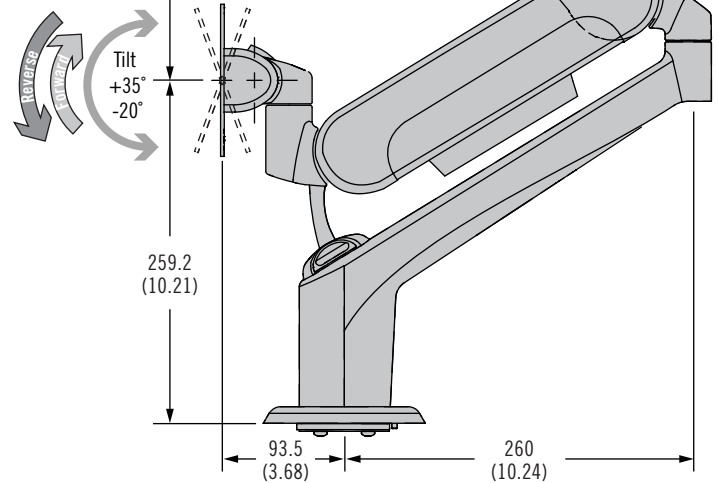
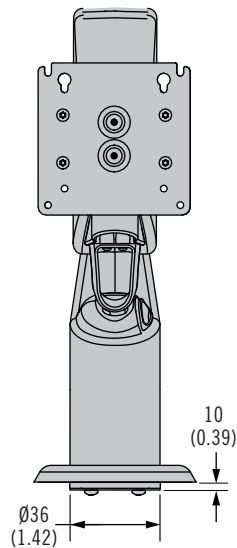
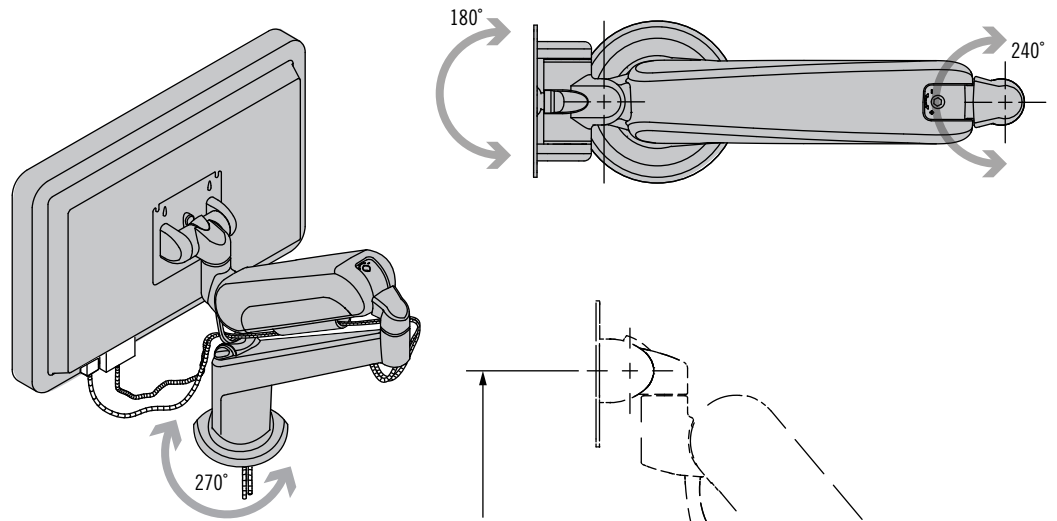
- Consistent repeatable operation**

Fully enclosed for optimum cleanability

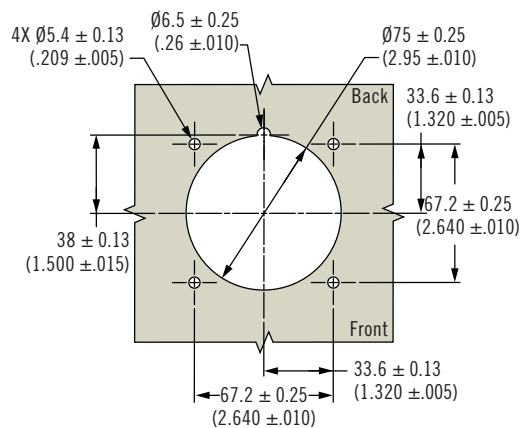
Snap-open channels simplify wire management

Factory assembled and ready for use

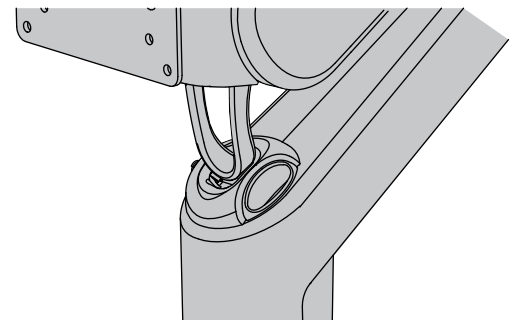
Optional locking mechanism in stowed position



## Panel Preparation



## Optional Locking Mechanism



Other options available. For complete details on variety, part numbers, installation and specification, go to



[www.southco.com/AV](http://www.southco.com/AV)

Dimensions in millimeters (inch) unless otherwise stated

# AV Series Dynamic Mounting Arm

Tilt and swivel · Double arm · Height Adjusting

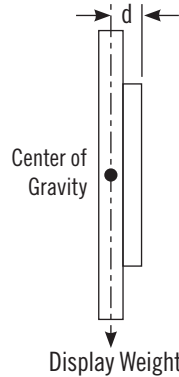


67D

## Specification and Selection

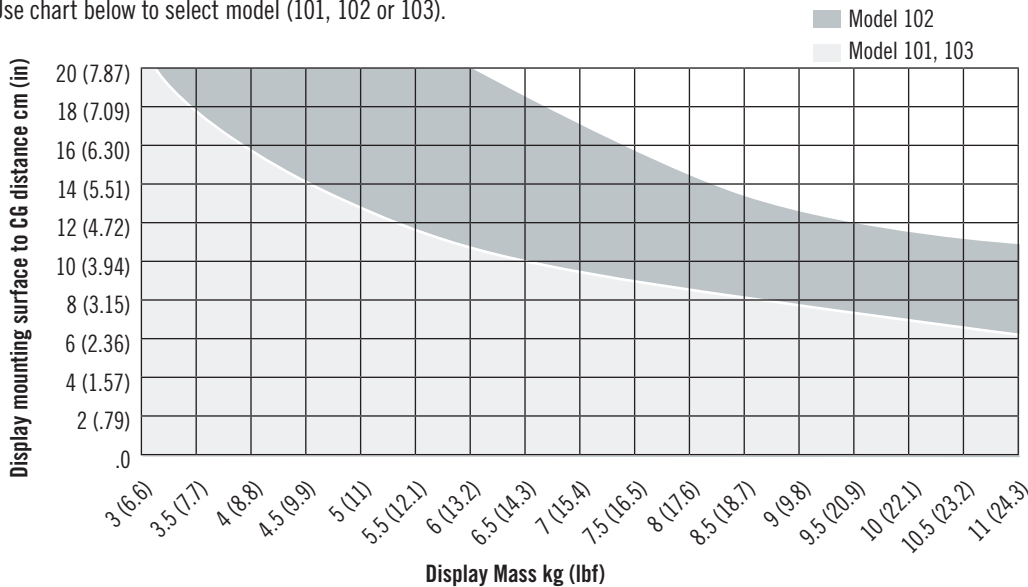
### Step 1

Determine display weight and distance (d) from mounting surface to center of gravity.



### Step 2

Use chart below to select model (101, 102 or 103).



### Step 3

Complete part number by selecting model and color options below.

[K] Mounting Style	
C	With Locking Mechanism
Omit	Non-Locking

[S]	Model	Tilt Torque N•m (in lbf)		Maximum Display Weight kg(lb)
		Reverse	Forward	
1	101	7.9 (70)	1.13 (10)	7 (15)
2	102	15.4 (136)	2.26 (20)	10 (22)
3	103	8.6 (76)	6.0 (53)	7 (15)

[F]	Color
50	Black
76	White

AV - D32-61W[K]13[S] - [F]

## Material and Finish

Aluminum alloy, powder coated

## Performance Details

Cycle performance: 20,000 cycles.

Swivel Torque:

At Device Mount: 4.3 N-m (38 in-lbf)

At Center Joint: 6.0 N-m (53 in-lbf)

At Mounting Surface: 6.8 N-m (60 in-lbf)

Average ultimate load:

490N (110 lbf)

See trade drawing for details.

