



AV Series Dynamic Mounting Arm

Tilt, Swivel and Swing

- Intuitive grab and move operation enhances the user experience**

No knobs or tools required to reposition the display

Precise control of operating effort ensures ideal “feel” and eliminates “drift”

Holds securely, even in applications with dynamic loading

- Low profile in the stowed position**

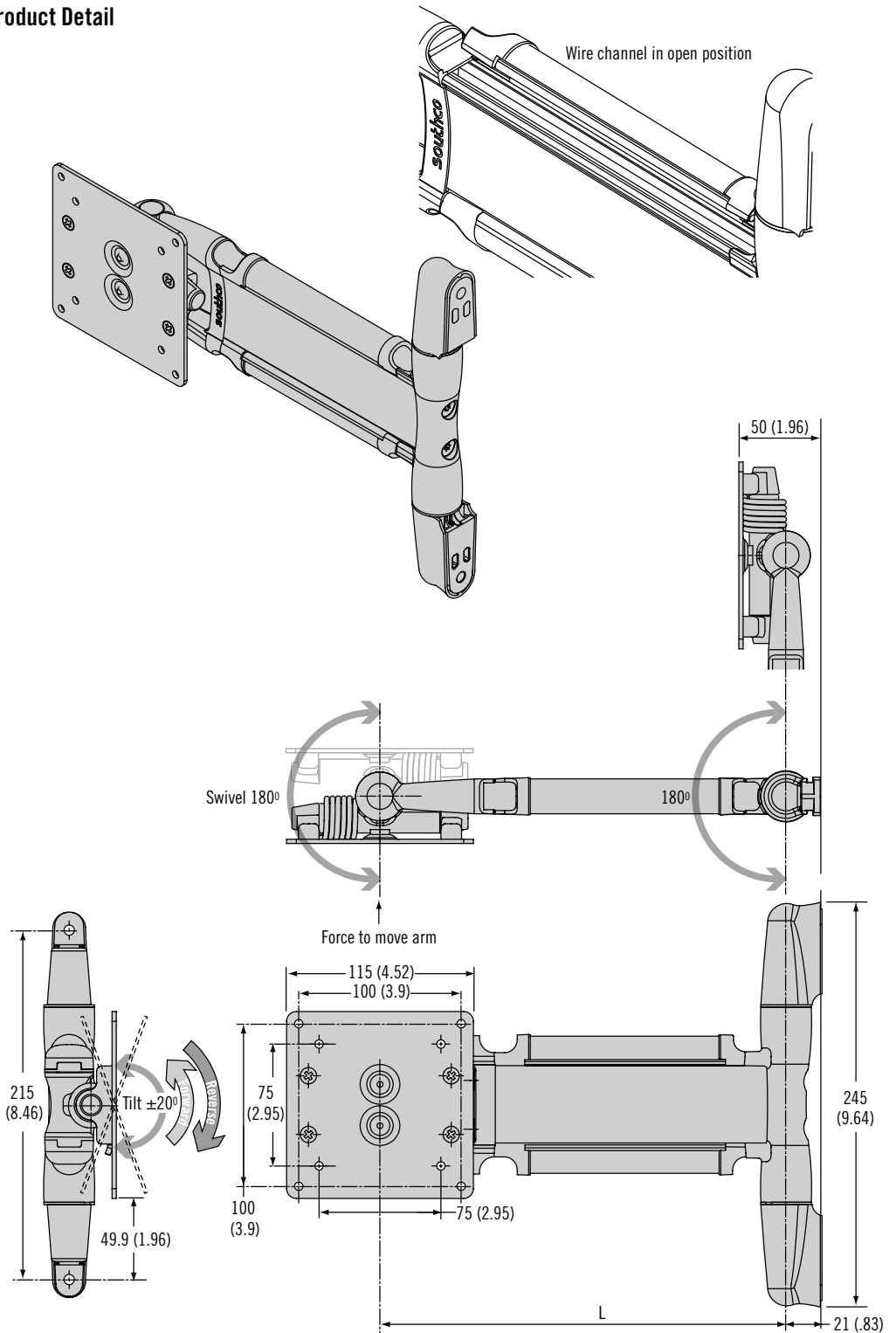
Folds to within 50 mm of the wall

- Snap-open channels simplify wire management**

Easy display installation and replacement

- Factory assembled and ready for use**

Product Detail



VESA MIS-D, 100, C



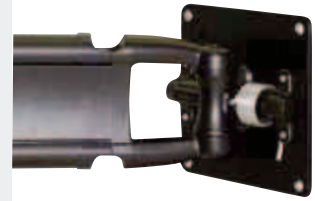
www.southco.com/AV

Dimensions in millimeters (inch) unless otherwise stated

southco
CONNECT · CREATE · INNOVATE

AV Series Dynamic Mounting Arm

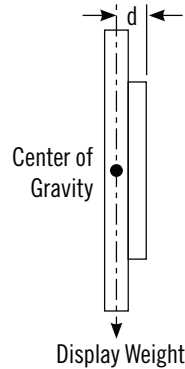
Tilt, Swivel and Swing



Specification and Selection

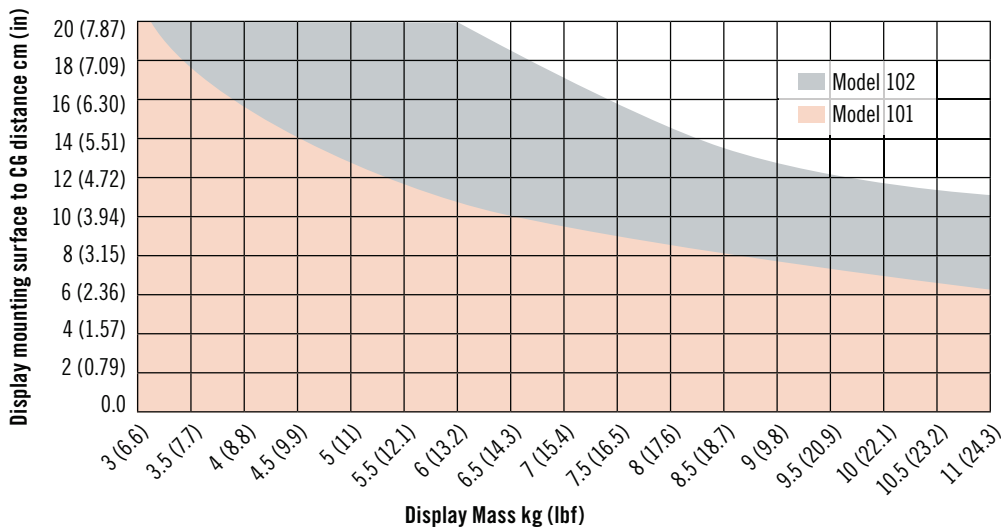
Step 1

Determine display weight and distance (d) from mounting surface to center of gravity.



Step 2

Use chart below to select model (101 or 102).



Step 3

Complete part number by selecting length and color options below.

K	Length (L)	Average ultimate load N (lbf)
15	150 (5.9)	1780 (400)
25	250 (9.8)	1560 (350)
35	350 (13.8)	1000 (225)
45	450 (17.7)	890 (200)

Model S	Force to move arm N (lb)	Tilt Torque N•m (in lbf)		Swivel Torque
		Reverse	Forward	
101	22.2 (5)	7.9 (70)	1.13 (10)	2.3 (20)
102	33.8 (7.6)	15.4 (136)	2.26 (20)	3.4 (30)

F	Color
50	Black
76	White

AV - D30 - **K** A **S** - **F**

- Smooth operation enhances the user experience
- Adjust the display without knobs or tools
- Holds securely in every position

Material and Finish

Aluminum alloy, powder coated

Performance Details

Cycle performance: 20,000 cycles within $\pm 20\%$ of static torque specification

Max. dynamic working load:

Model 101: 66N (15 lbf)

Model 102: 98N (22 lbf)

Average ultimate load: See table

Part Number

See table

Part Number Example

AV-D30-25A101-50 = Dynamic mounting arm, Model 101, 250mm Length, black