



AV Series Dynamic Mount

Tilt and Swivel

- **Intuitive grab and move operation enhances the user experience**

No knobs or tools required to reposition the display

Precise control of operating effort ensures ideal “feel” and eliminates “drift”

Holds securely, even in applications with dynamic loading

- **Consistent repeatable operation**

- **Factory assembled and ready for use**

Installation

1. Determine desired mounting location
2. Attach using M6 X 1 screws as shown

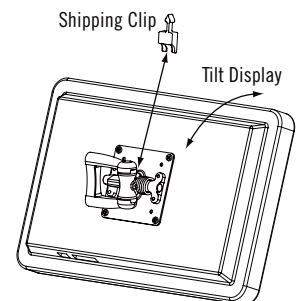
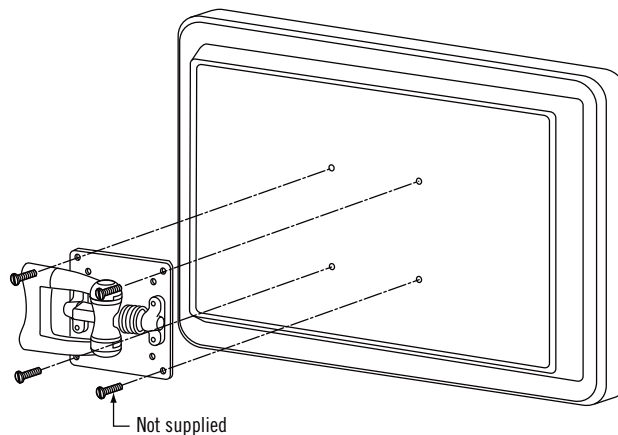
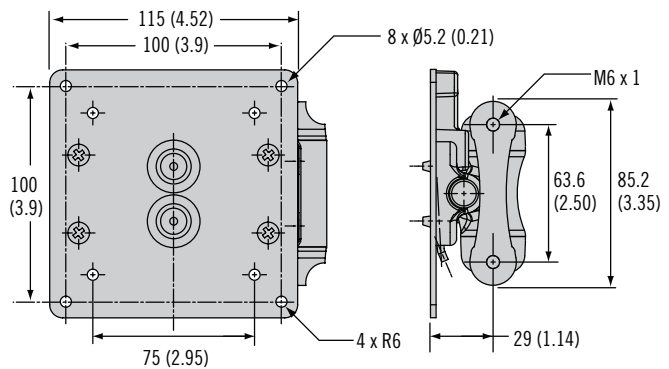
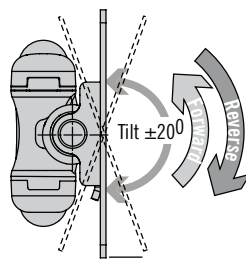
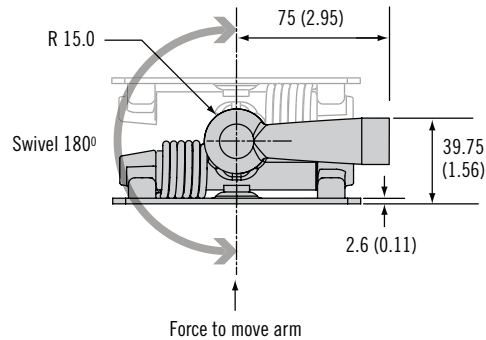
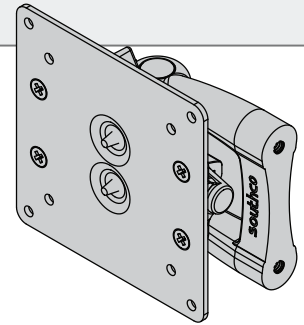
Caution: Because of the wide variety of available wall materials, it is the installer’s responsibility to ensure that the materials, and structure to which the arm is mounted, and the hardware selected will provide adequate support.

3. Attach display using manufacturer’s recommended hardware
4. Remove and recycle the shipping clip



VESA MIS-D, 100, C

Product Detail



Dimensions in millimeters (inch) unless otherwise stated



www.southco.com/AV

southco
CONNECT · CREATE · INNOVATE

AV Series Dynamic Mount

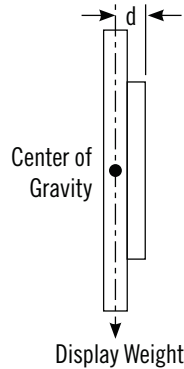
Tilt and Swivel



Specification and Selection

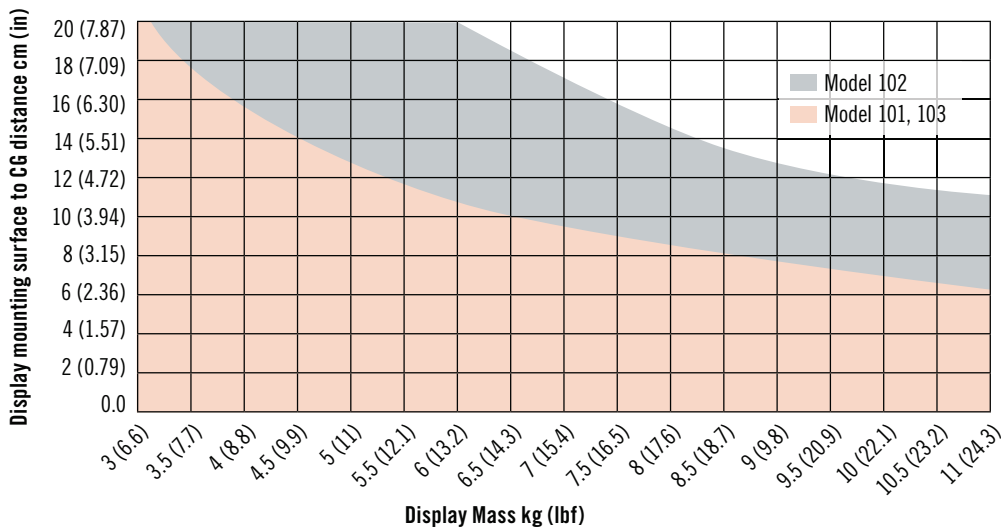
Step 1

Determine display weight and distance (d) from mounting surface to center of gravity.



Step 2

Use chart below to select model (101, 102 or 103).



Step 3

Complete part number by selecting model and color options below.

Model S	Tilt Torque N•m (in lbf)		Swivel Torque
	Reverse	Forward	
101	7.9 (70)	1.13 (10)	2.3 (20)
102	15.4 (136)	2.26 (20)	3.4 (30)
103	8.6 (76)	6 (53)	3.4 (30)

F	Color
50	Black
76	White

AV - D30 - 7K **S** - **F**

- Smooth operation enhances the user experience
- Adjust the display without knobs or tools
- Holds securely in every position

Material and Finish

Aluminum alloy, powder coated

Performance Details

Cycle performance: 20,000 cycles within $\pm 20\%$ of static torque specification

Max. dynamic working load:
Model 101 and 103: 66N (15 lbf)
Model 102: 98N (22 lbf)
Average ultimate load: 2000 N (450 lbf)

Part Number

See table

Part Number Example

AV-D30-7K101-50 = Dynamic mounting arm, Model 101, black

For complete installation and operation instructions please consult the product manual included in every package or available to download from www.southco.com

Dimensions in millimeters (inch) unless otherwise stated



Global Corporate Headquarters and Americas Customer Service & Technical Support Center
Concordville, PA – USA · Tel: (1) 610-459-4000 · Fax: (1) 610-459-4012



www.southco.com/AV

Southco® AV HEAD NA 08-10