



AV Series Dynamic Mount

Tilt and Swivel · Compact

- **Intuitive grab and move operation enhances the user experience**
No knobs or tools required to reposition the display
Consistent repeatable operation
- **Factory assembled and ready for use**

Installation Notes

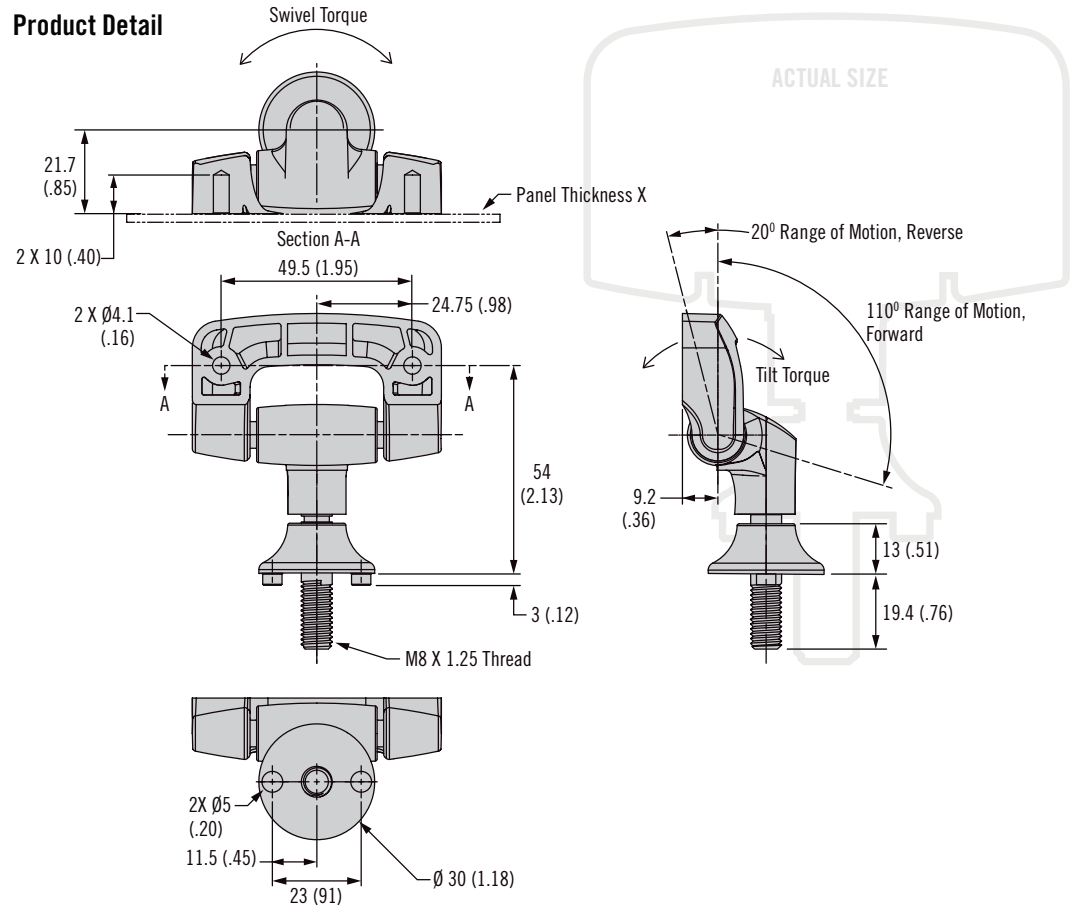
1. Determine desired mounting location
2. Attach using M8 nut (not supplied) as shown
Caution: Because of the wide variety of panel materials, it is the installer's responsibility to ensure that the materials and structure to which the product is mounted and the hardware selected will provide adequate support.
3. Attach display mounting bracket using recommended self-tapping screws or equivalent

Other options available. For complete details on variety, part numbers, installation and specification, go to



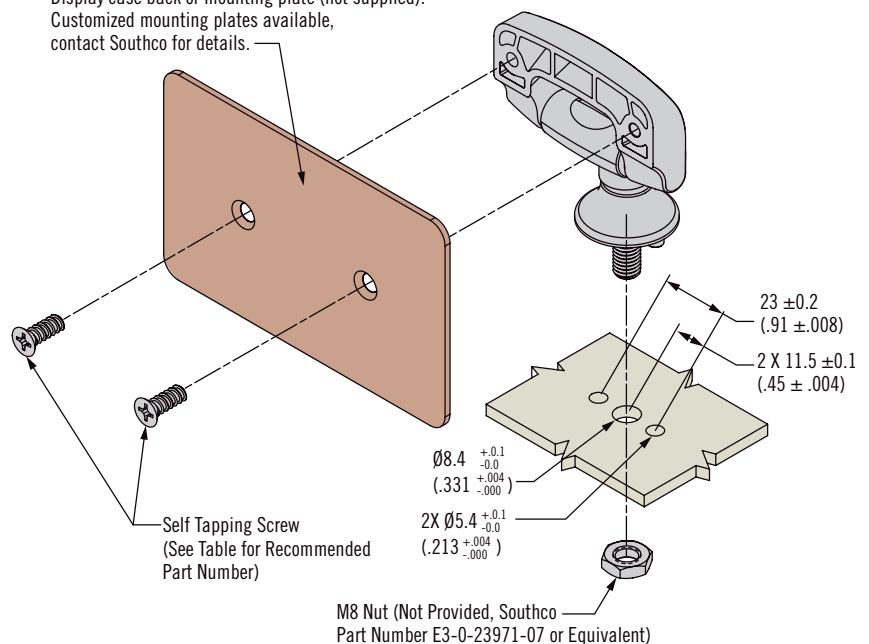
www.southco.com/AV

Product Detail



Installation

Display case back or mounting plate (not supplied).
Customized mounting plates available, contact Southco for details.



Dimensions in millimeters (inch) unless otherwise stated

southco
CONNECT · CREATE · INNOVATE

AV Series Dynamic Mount

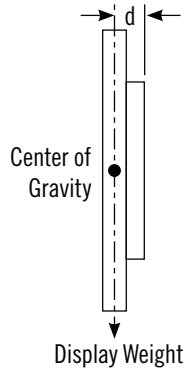
Tilt and Swivel · Compact



Specification and Selection

Step 1

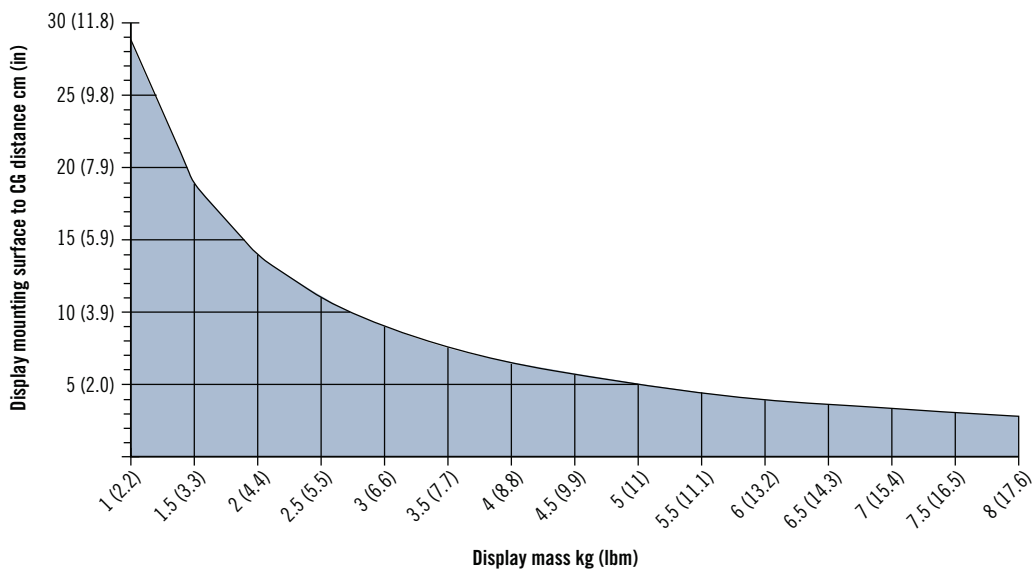
Determine display weight and distance (d) from mounting surface to center of gravity.



Step 2

Use chart below to confirm suitable display weight. For weights outside the shaded area, consider Southco AV-D30 series display mounts.

AV-C20 Series - Capacity vs. Cg Distance



Step 3

Select part number and recommended display mounting hardware below:

Part Numbers	Tilt TorqueN-m (in-lbf)	Swivel TorqueN-m (in-lbf)
AV-C20-K101-20	2.26 (20.0)	3.62 (32.0)

Recommended display mounting hardware:

Panel Thickness, X (mm)	Pan-Head Screw(Southco P/N)	Flat-Head Screw(Southco P/N)
1-4	96-79-1	96-79-11
4-7	96-79-2	96-79-12

Dimensions in millimeters (inch) unless otherwise stated

- Smooth operation enhances the user experience
- Adjust the display without knobs or tools
- Holds securely in every position

Material and Finish

Glass-Filled Nylon, Black;
Stainless Steel

Performance Details

Cycle performance
20,000 Cycles within +/- 20% of static torque specification

Max dynamic working load: 100N (22.5lbf)

Average ultimate load: 1000N (225lbf)



Global Corporate Headquarters and Americas Customer Service & Technical Support Center
Concordville, PA – USA · Tel: (1) 610-459-4000 · Fax: (1) 610-459-4012

Other options available. For complete details on variety, part numbers, installation and specification, go to



www.southco.com/AV

©Southco AV-C20 902NA 11-13