

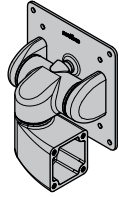


AV Series Dynamic Mounting Arm

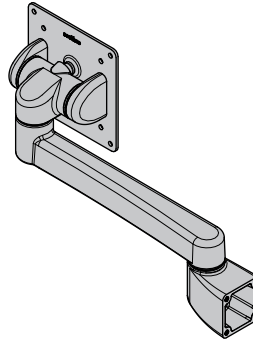
Tilt and swivel · Single arm · Double arm

- Intuitive grab and move operation enhances the user experience**
 No knobs or tools required to reposition the display
 Precise control of operating effort ensures ideal “feel” and eliminates “drift”
 Holds securely, even in applications with dynamic loading
- Consistent repeatable operation**
- Fully enclosed for optimum cleanability**
- Snap-on wire management cover**
- Factory assembled and ready for use**

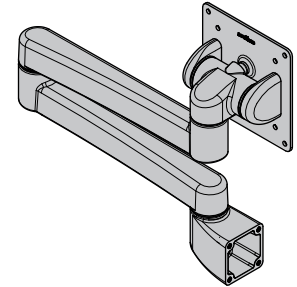
Tilt and Swivel



Single Arm



Double Arm



Mounting Options

Wall Mount

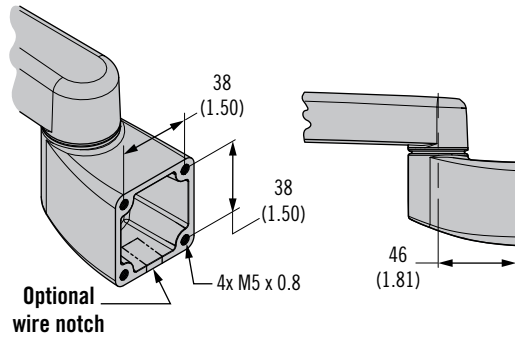
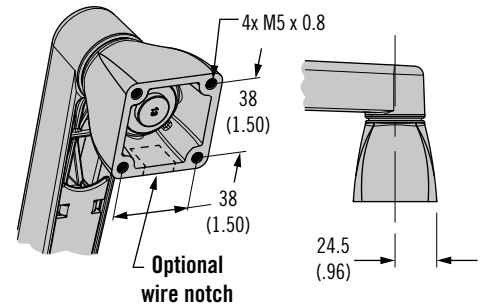
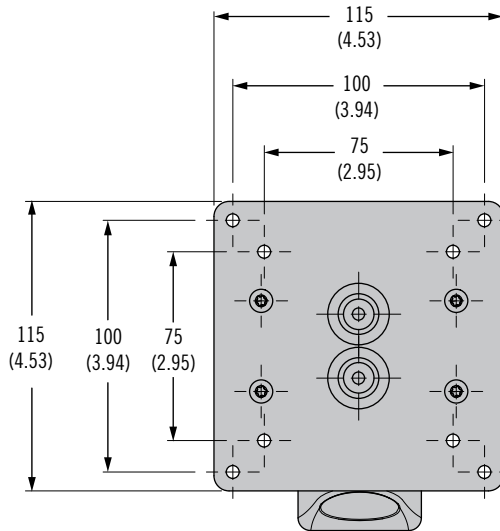


Table Mount



Display Mounting Plate



VESA® MIS-D, 100, C

VESA and VESA MOUNTING COMPLIANT are registered trademarks of Video Electronics Standards Association

Other options available. For complete details on variety, part numbers, installation and specification, go to



www.southco.com/AV

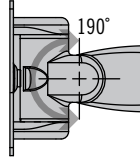
Dimensions in millimeters (inch) unless otherwise stated

AV Series Dynamic Mounting Arm

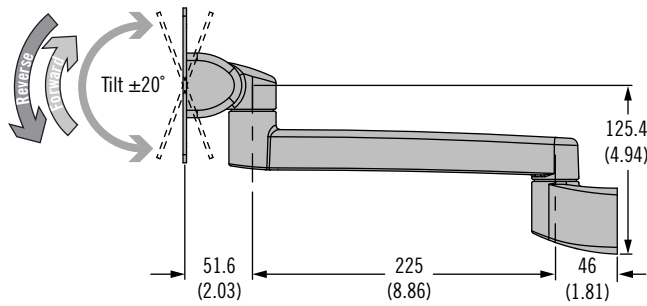
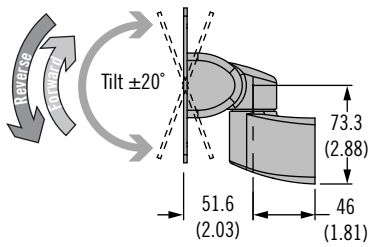
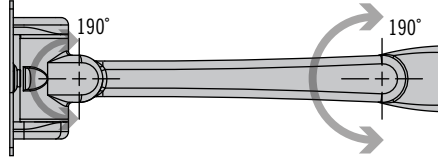
Tilt and swivel · Single arm · Double arm



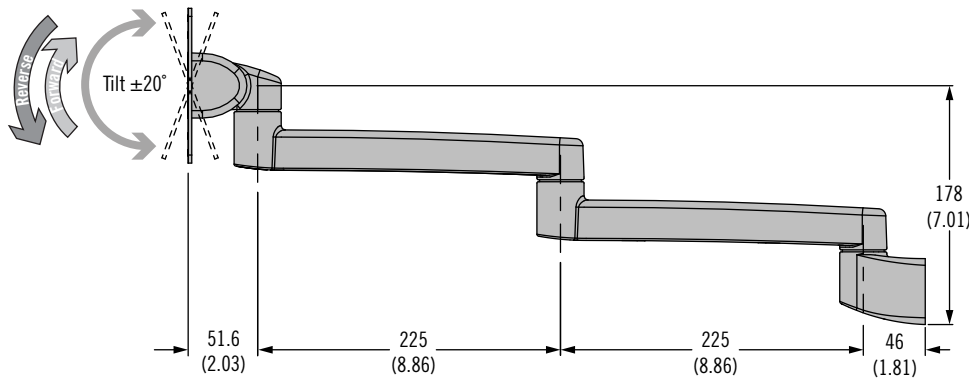
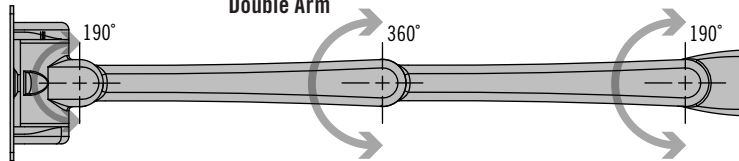
Tilt and Swivel



Single Arm



Double Arm



- Smooth operation enhances the user experience
- Adjust the display without knobs or tools
- Holds securely in every position





AV Series Dynamic Mounting Arm

Tilt and swivel · Single arm · Double arm

Material and Finish

Aluminum alloy, powder coated

Performance Details

Cycle performance: 20,000 cycles. See trade drawing for details.

Note: Double Arm not recommended for displays over 5.4 kg (12 lb)

Max. dynamic working load:

Model 101, 103: 70N (15.7lbf)

Model 102: 100N (22.5lbf)

Average ultimate load:

Tilt/Swivel: 1845N (415lbf)

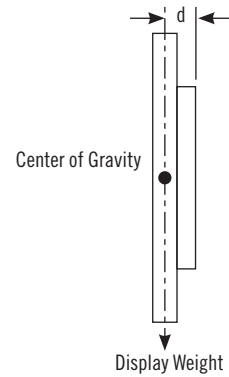
Single Arm: 1600N (360lbf)

Double Arm: 755N (170lbf)

Specification and Selection

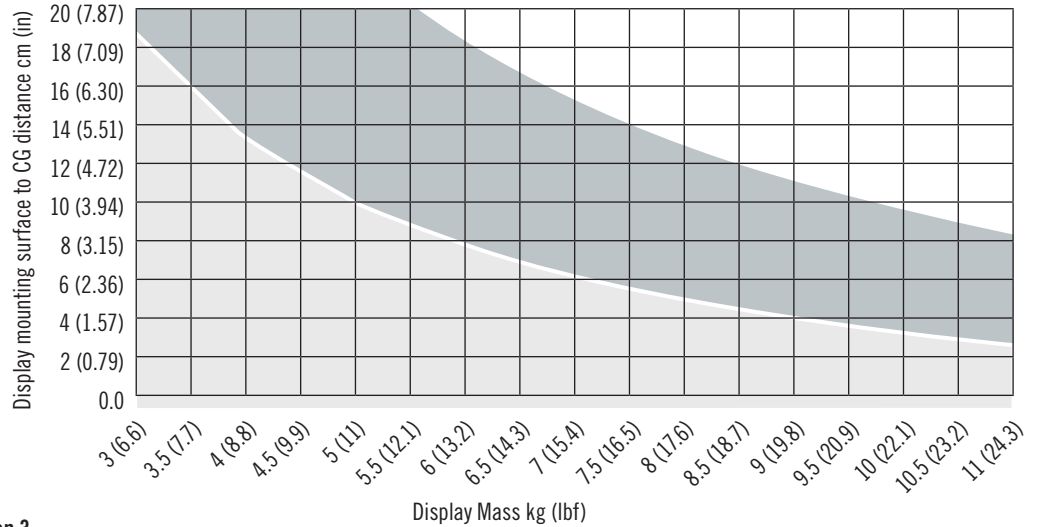
Step 1

Determine display weight and distance (d) from mounting surface to center of gravity.



Step 2

Use chart below to select model (101, 102 or 103).



Step 3

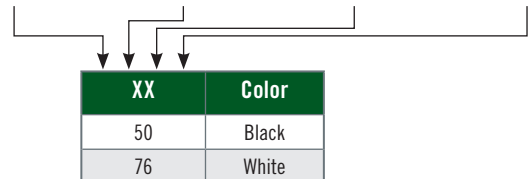
Complete part number by selecting length and color options below.

Style	Model	Tilt Torque N-m (in-lbf)		Swivel Torque N-m (in-lbf)			Part Number			
		Reverse	Forward	At Display Mount	At Wall Mount	Center Joint	Wall Mount		Table Mount	
							No Notch	Wire Notch	No Notch	Wire Notch
Tilt and swivel	101	7.9 (70)	1.13 (10)	4.3 (38)	N/A	N/A	AV-D32-10K101-XX	AV-D32-10K111-XX	AV-D32-10K121-XX	AV-D32-10K131-XX
	102	15.4 (136)	2.26 (20)	4.3 (38)	N/A	N/A	AV-D32-10K102-XX	AV-D32-10K112-XX	AV-D32-10K122-XX	AV-D32-10K132-XX
	103	8.6 (76)	6.0 (53)	4.3 (38)	N/A	N/A	AV-D32-10K103-XX	AV-D32-10K113-XX	AV-D32-10K123-XX	AV-D32-10K133-XX
Single arm	101	7.9 (70)	1.13 (10)	4.3 (38)	9.8 (87)	N/A	AV-D32-23A101-XX	AV-D32-23A111-XX	AV-D32-23A121-XX	AV-D32-23A131-XX
	102	15.4 (136)	2.26 (20)	4.3 (38)	9.8 (87)	N/A	AV-D32-23A102-XX	AV-D32-23A112-XX	AV-D32-23A122-XX	AV-D32-23A132-XX
	103	8.6 (76)	6.0 (53)	4.3 (38)	9.8 (87)	N/A	AV-D32-23A103-XX	AV-D32-23A113-XX	AV-D32-23A123-XX	AV-D32-23A133-XX
Double arm	101	7.9 (70)	1.13 (10)	4.3 (38)	9.8 (87)	9.8 (87)	AV-D32-46D101-XX	AV-D32-46D111-XX	AV-D32-46D121-XX	AV-D32-46D131-XX
	102	15.4 (136)	2.26 (20)	4.3 (38)	9.8 (87)	9.8 (87)	AV-D32-46D102-XX	AV-D32-46D112-XX	AV-D32-46D122-XX	AV-D32-46D132-XX
	103	8.6 (76)	6.0 (53)	4.3 (38)	9.8 (87)	9.8 (87)	AV-D32-46D103-XX	AV-D32-46D113-XX	AV-D32-46D123-XX	AV-D32-46D133-XX

Part Number Example

AV-D32-23A101-50 =
Single arm, Model 101, wall mount, no wire notch, black

For tilt version, see Southco AV Arm section.



Other options available. For complete details on variety, part numbers, installation and specification, go to



www.southco.com/AV

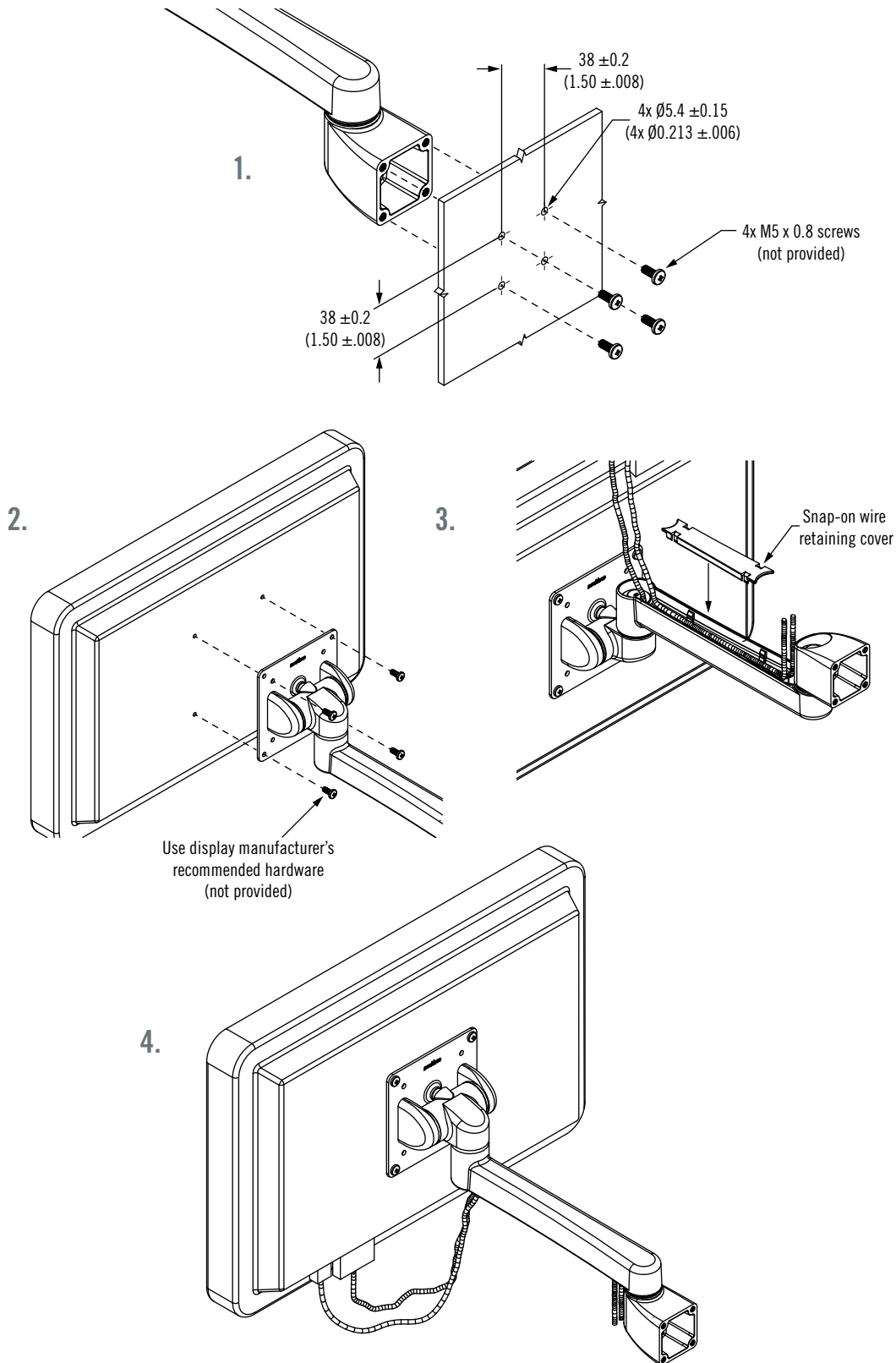
Dimensions in millimeters (inch) unless otherwise stated

AV Series Dynamic Mounting Arm

Tilt and swivel · Single arm · Double arm



Installation



- Smooth operation enhances the user experience
- Adjust the display without knobs or tools
- Holds securely in every position



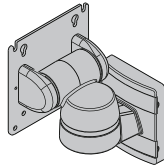


AV Series Dynamic Mounting Arm

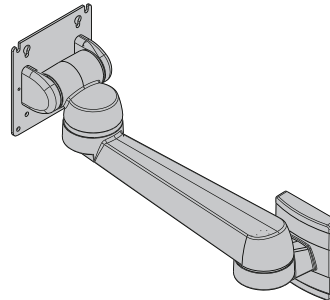
Tilt and swivel · Single arm · Double arm · Heavy Duty

- Intuitive grab and move operation enhances the user experience**
 No knobs or tools required to reposition the display
 Precise control of operating effort ensures ideal “feel” and eliminates “drift”
 Holds securely, even in applications with dynamic loading
- Consistent repeatable operation**
- Fully enclosed for optimum cleanability**
- Snap-on wire management cover**
- Factory assembled and ready for use**

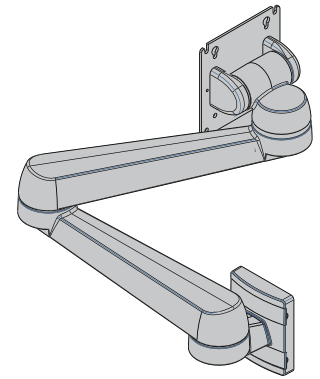
Tilt and Swivel



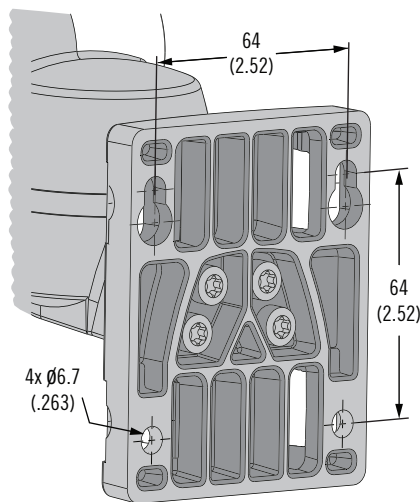
Single Arm



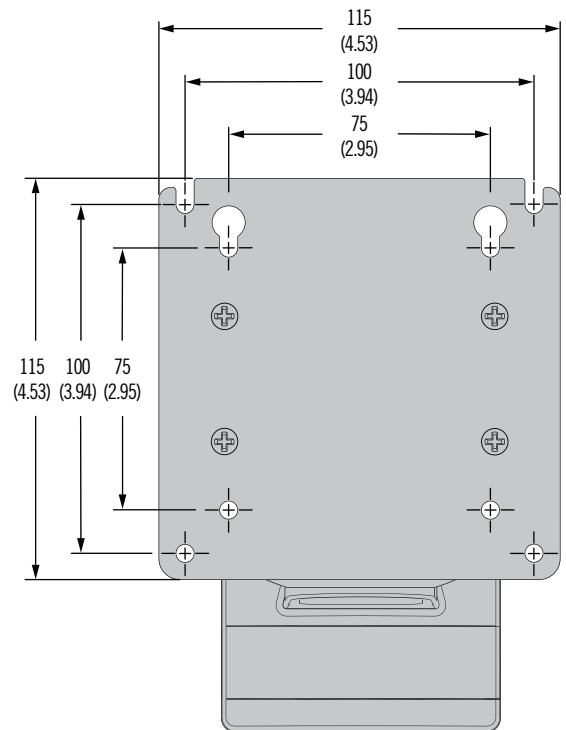
Double Arm



Mounting Pattern



Display Mounting Plate



VESA® MIS-D, 100, C

VESA and VESA MOUNTING COMPLIANT are registered trademarks of Video Electronics Standards Association

Other options available. For complete details on variety, part numbers, installation and specification, go to



www.southco.com/AV

Dimensions in millimeters (inch) unless otherwise stated

southco
CONNECT · CREATE · INNOVATE

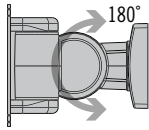
AV Series Dynamic Mounting Arm

Tilt and swivel · Single arm · Double arm · Heavy Duty

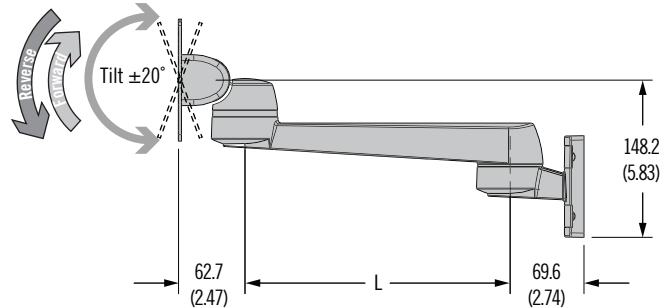
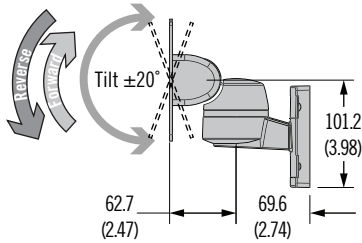
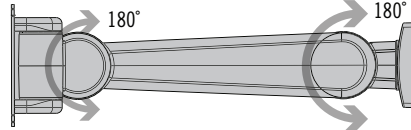


67B

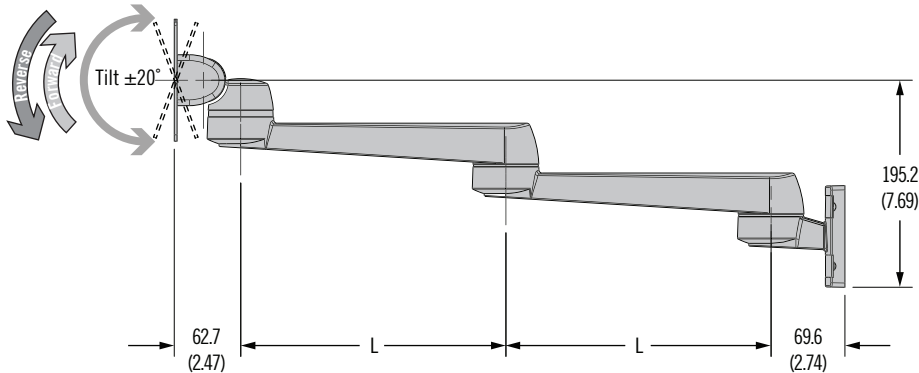
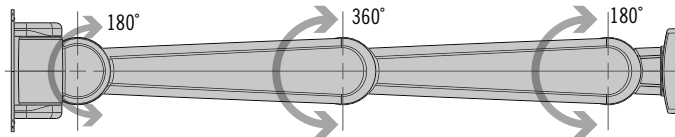
Tilt and Swivel



Single Arm



Double Arm



- Smooth operation enhances the user experience
- Adjust the display without knobs or tools
- Holds securely in every position





AV Series Dynamic Mounting Arm

Tilt and swivel · Single arm · Double arm · Heavy Duty

Material and Finish

Aluminum alloy, powder coated

Performance Details

Cycle performance: 20,000 cycles.

See trade drawing for details.

Note: Double Arm not recommended for displays over 18 kg (39 lb)

Max. dynamic working load:

Model 141, 143: 70 N (15.7 lbf)

Model 142: 100 N (22.5 lbf)

Model 144: 225 N (50.5 lbf)

Average ultimate load:

Tilt/Swivel: 2300 N (517 lbf)

Single Arm: 1600 N (360 lbf)

Double Arm: 1050 N (236 lbf)

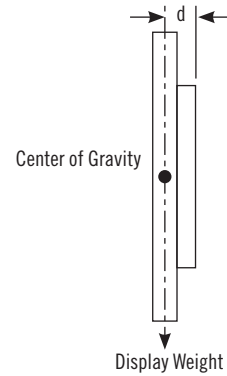
Part Number Example

AV-D40-25A142-50 = Single arm, 250mm, Model 142, black

Specification and Selection

Step 1

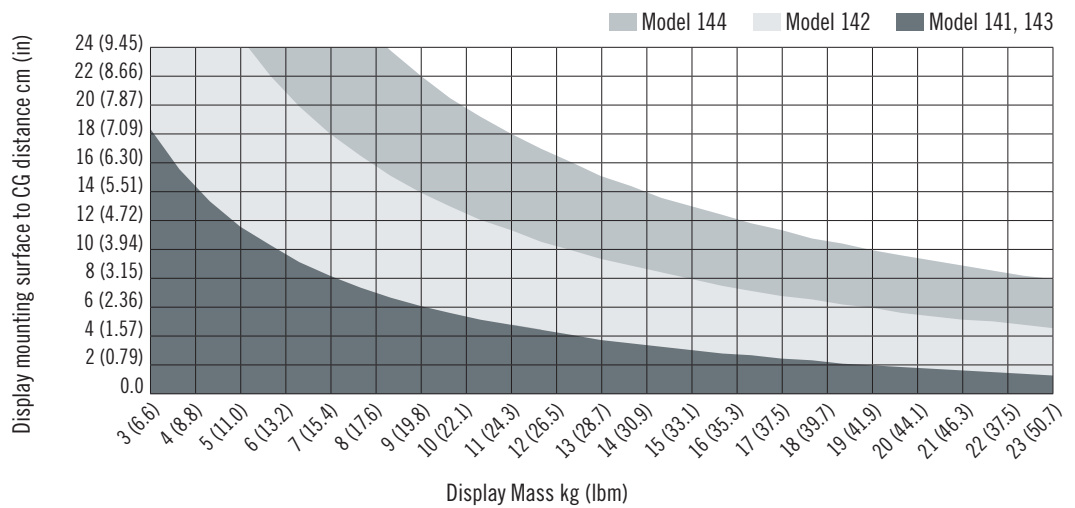
Determine display weight and distance (d) from mounting surface to center of gravity.



Step 2

Use chart below to select model (141, 142, 143 or 144).

Note: Double Arm not recommended for displays over 18 kg (39 lb)



Step 3

Complete part number by selecting length and color options below.

Style	Model	Tilt Torque N·m (in·lbf)		Swivel Torque N·m (in·lbf)			Arm Length, L		
		Reverse	Forward	At Display Mount	At Wall Mount	Center Joint	None	250 (9.8)	325 (12.8)
Tilt and swivel	141	7.9 (70)	1.3 (10)	3 (27)	N/A	N/A	AV-D40-13K141-XX	N/A	N/A
	142	15.4 (136)	2.26 (20)	3 (27)	N/A	N/A	AV-D40-13K142-XX	N/A	N/A
	143	8.6 (76)	6.0 (53)	3 (27)	N/A	N/A	AV-D40-13K143-XX	N/A	N/A
	144	23.1 (204)	7 (62)	3 (27)	N/A	N/A	AV-D40-13K144-XX	N/A	N/A
Single arm	141	7.9 (70)	1.3 (10)	3 (27)	6 (53)	N/A	N/A	AV-D40-25A141-XX	AV-D40-33A141-XX
	142	15.4 (136)	2.26 (20)	3 (27)	6 (53)	N/A	N/A	AV-D40-25A142-XX	AV-D40-33A142-XX
	143	8.6 (76)	6.0 (53)	3 (27)	6 (53)	N/A	N/A	AV-D40-25A143-XX	AV-D40-33A143-XX
	144	23.1 (204)	7 (62)	3 (27)	6 (53)	N/A	N/A	AV-D40-25A144-XX	AV-D40-33A144-XX
Double arm	141	7.9 (70)	1.3 (10)	3 (27)	6 (53)	3 (27)	N/A	AV-D40-50D141-XX	AV-D40-65D141-XX
	142	15.4 (136)	2.26 (20)	3 (27)	6 (53)	3 (27)	N/A	AV-D40-50D142-XX	AV-D40-65D142-XX
	143	8.6 (76)	6.0 (53)	3 (27)	6 (53)	3 (27)	N/A	AV-D40-50D143-XX	AV-D40-65D143-XX
	144	23.1 (204)	7 (62)	3 (27)	6 (53)	3 (27)	N/A	AV-D40-50D144-XX	AV-D40-65D144-XX

XX	Color
50	Black
76	White

Other options available. For complete details on variety, part numbers, installation and specification, go to

INFO CLIC www.southco.com/AV

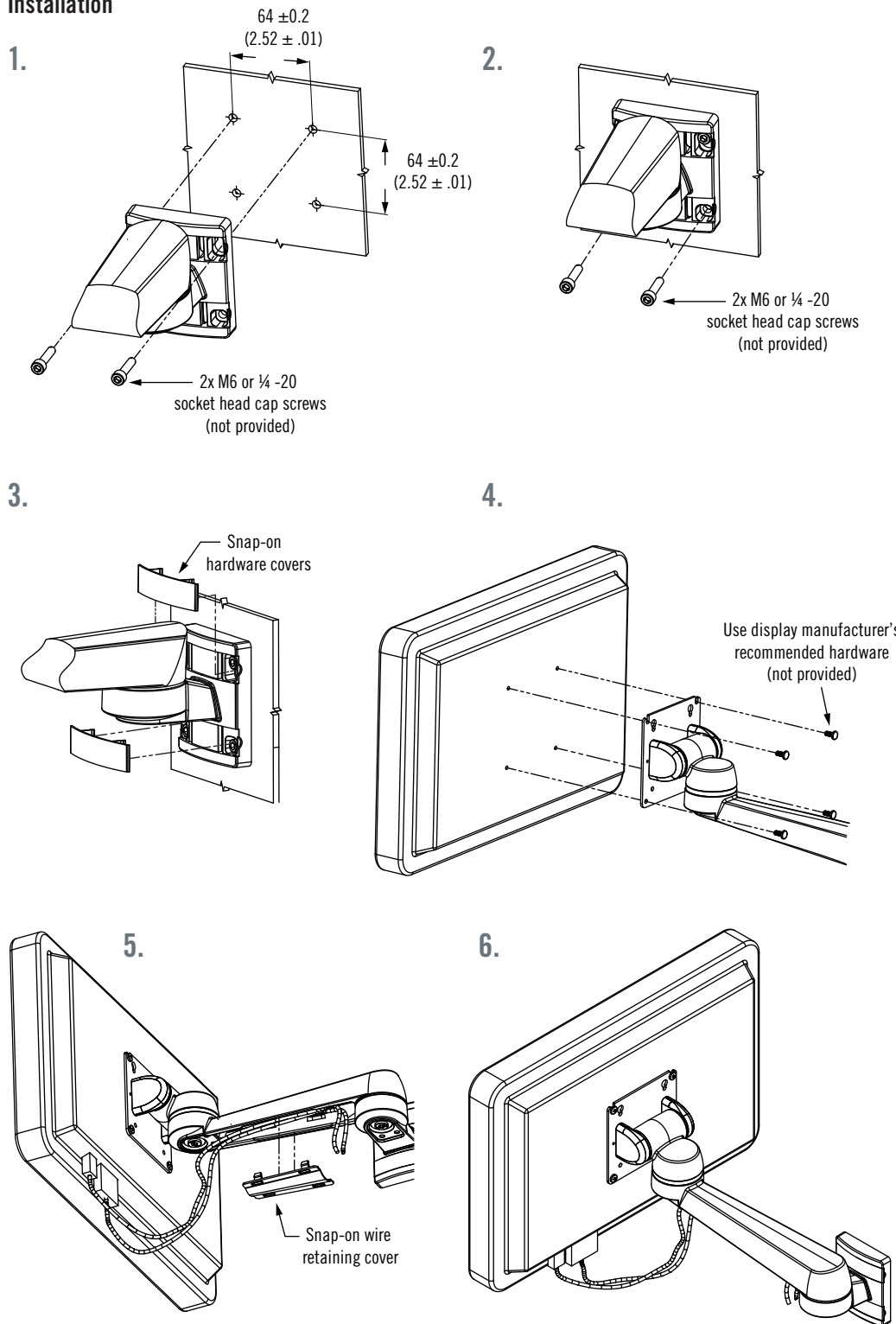
Dimensions in millimeters (inch) unless otherwise stated

AV Series Dynamic Mounting Arm

Tilt and swivel · Single arm · Double arm · Heavy Duty



Installation



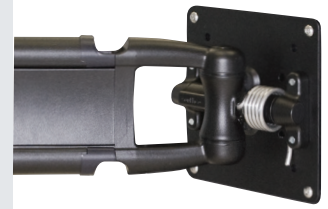
- Smooth operation enhances the user experience
- Adjust the display without knobs or tools
- Holds securely in every position



Mounting screws affixing the arm to the mounting plate shall not be removed or loosened. Should removal or loosening of mounting screws occur, replace mounting screws using new M6-1.0 x 25, Class 12.9, high tensile cap head screws and plain washers, tighten to 14-16Nm. Maximum arm loading-single arm-23Kg/ double arm-18Kg. Removal or loosening, or in the event of removal or loosening and failure to replace factory installed mounting screws with manufacturer specified new mounting screws, tightened to 14-16Nm may result in catastrophic failure of bolts causing mounted equipment to fall from mounting surface causing injury to persons and property.

AV Series Dynamic Mounting Arm

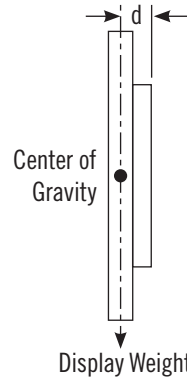
Tilt and swivel · Single arm



Specification and Selection

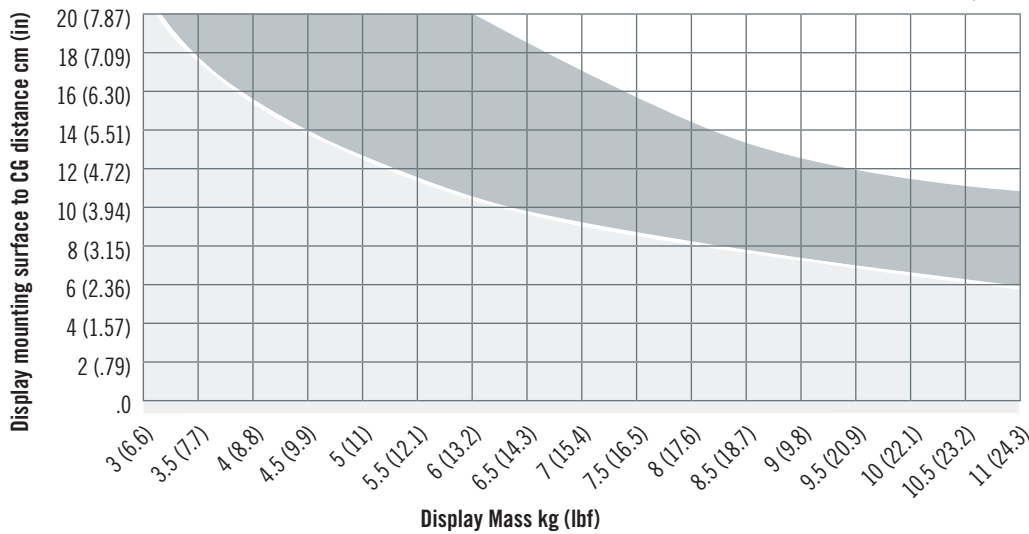
Step 1

Determine display weight and distance (d) from mounting surface to center of gravity.



Step 2

Use chart below to select model (101, 102 or 103).



Step 3

Complete part number by selecting length and color options below.

K	Length (L)	Average ultimate load N (lbf)
15	150 (5.9)	2000 (450)
25	250 (9.8)	1200 (270)
35	350 (13.8)	850 (190)
45	450 (17.7)	660 (150)

Model S	Force to move arm N (lbf)	Tilt Torque N•m (in lbf)		Swivel Torque N•m (in lbf)
		Reverse	Forward	
101	22.2 (5)	7.9 (70)	1.13 (10)	2.3 (20)
102	33.8 (7.6)	15.4 (136)	2.26 (20)	3.4 (30)
103	33.8 (7.6)	8.6 (76)	6.0 (53)	3.4 (30)

F	Color
50	Black
76	White

AV - D30 - K A S - F

- Smooth operation enhances the user experience
- Adjust the display without knobs or tools
- Holds securely in every position

Material and Finish

Aluminum alloy, powder coated

Performance Details *

Cycle performance: 20,000 cycles within ± 20% of static torque specification

Max. dynamic working load:

Model 101, 103: 66 N (15 lbf)

Model 102: 98 N (22 lbf)

Average ultimate load: See table

Part Number

See table

Part Number Example

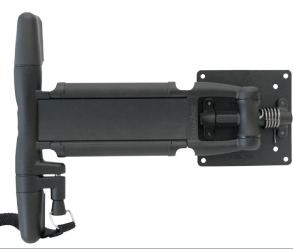
AV-D30-25A101-50 = Dynamic mounting arm, Model 101, 250 mm Length, black

* Southco Performance and Application Guidelines are supplied as general guides only as conditions vary with each application and installation method. Represented cycle performance is not a guarantee of reliability under actual usage conditions in end user product applications. Users must test potential product solutions under the actual application conditions and environment to determine suitability of the product for the purpose and function intended by the user and to assure desired performance.

Other options available. For complete details on variety, part numbers, installation and specification, go to



www.southco.com/AV



AV Series Dynamic Mounting Arm

Tilt and swivel · Single arm · Locking

- Intuitive grab and move operation enhances the user experience**

No knobs or tools required to reposition the display

Precise control of operating effort ensures ideal “feel” and eliminates “drift”

Holds securely, even in applications with dynamic loading

- Locking mechanism in stowed position**

- Low profile in the stowed position**

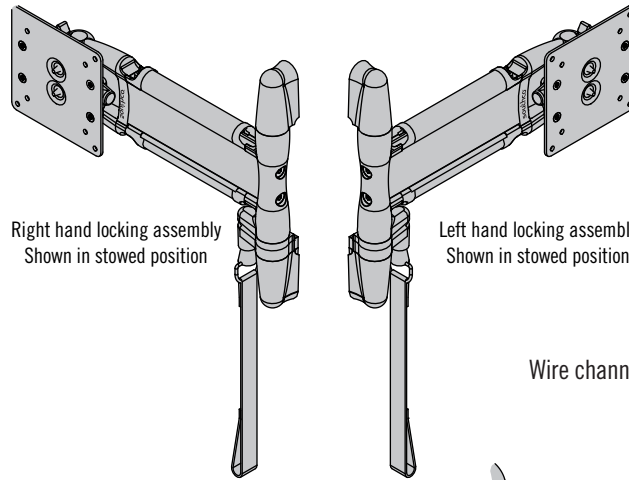
Folds to within 50 mm of the wall

- Snap-open channels simplify wire management**

Easy display installation and replacement

- Factory assembled and ready for use**

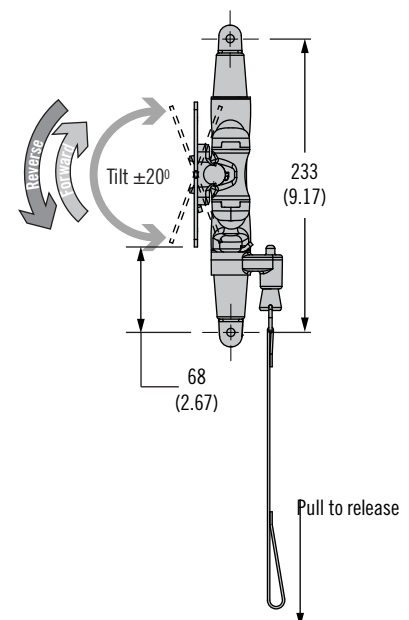
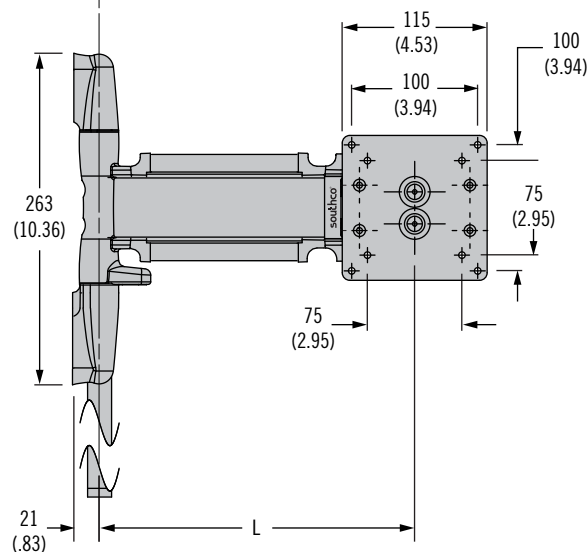
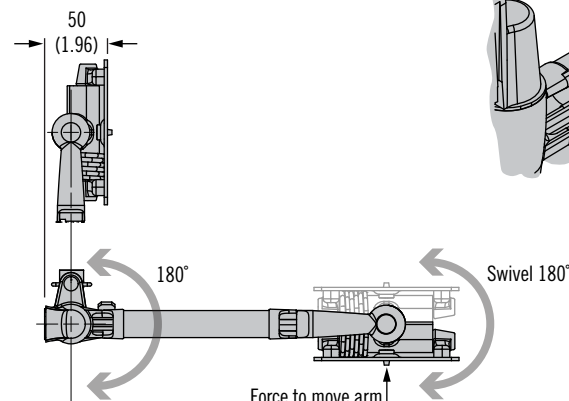
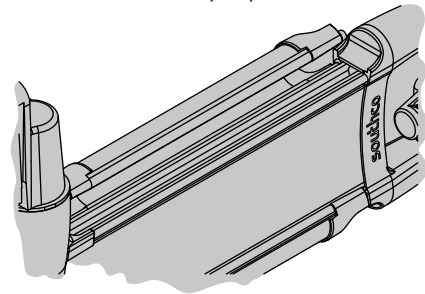
Product Detail



Right hand locking assembly
Shown in stowed position

Left hand locking assembly
Shown in stowed position

Wire channel in open position.



VESA® MIS-D, 100, C

VESA and VESA MOUNTING COMPLIANT are registered trademarks of Video Electronics Standards Association

Other options available. For complete details on variety, part numbers, installation and specification, go to



www.southco.com/AV

Dimensions in millimeters (inch) unless otherwise stated

southco
CONNECT · CREATE · INNOVATE

AV Series Dynamic Mounting Arm

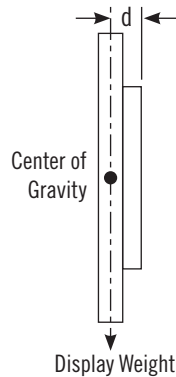
Tilt and swivel · Single arm · Locking



Specification and Selection

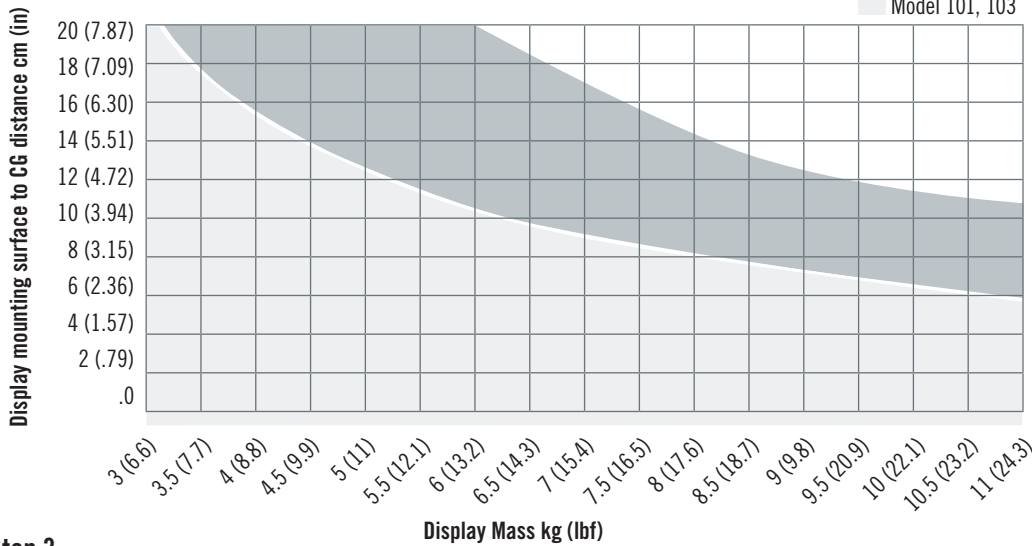
Step 1

Determine display weight and distance (d) from mounting surface to center of gravity.



Step 2

Use chart below to select model (101, 102 or 103).



Step 3

Complete part number by selecting length and color options below.

AV - D30 - **K** A **L** **S** - **F**

K	Length (L)	Average ultimate load N (lbf)
15	150 (5.9)	2000 (450)
25	250 (9.8)	1200 (270)
35	350 (13.8)	850 (190)
45	450 (17.7)	660 (150)

F	Color
50	Black
76	White

S	Force to move arm N (lbf)	Tilt Torque N•m (in lbf)		Swivel Torque N•m (in lbf)
Model		Reverse	Forward	
101	22.2 (5)	7.9 (70)	1.13 (10)	2.3 (20)
102	33.8 (7.6)	15.4 (136)	2.26 (20)	3.4 (30)
103	33.8 (7.6)	8.6 (76)	6.0 (53)	3.4 (30)

L	Rotational Lock
C	Left hand locking
R	Right hand locking

- Smooth operation enhances the user experience
- Adjust the display without knobs or tools
- Holds securely in every position

Material and Finish

Aluminum alloy, powder coated

Performance Details *

Cycle performance: 20,000 cycles within $\pm 20\%$ of static torque specification

Max. dynamic working load:

Model 101, 103: 66 N (15 lbf)

Model 102: 98 N (22 lbf)

Average ultimate load: See table

Part Number

See table

Part Number Example

AV-D30-25AC101-50 = Dynamic mounting arm, Model 101, 250 mm Length, black, locking

Southco Performance and Application Guidelines are supplied as general guides only, as conditions vary with each application and installation method. Represented cycle performance is not a guarantee of reliability under actual usage conditions in end user product applications. Users must test potential product solutions under the actual application conditions and environment to determine suitability of the product for the purpose and function intended by the user and to assure desired performance.

Other options available. For complete details on variety, part numbers, installation and specification, go to

INFO CLIC www.southco.com/AV