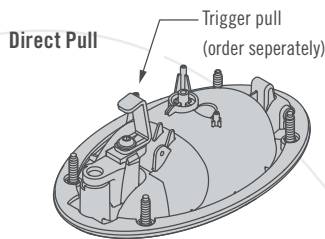
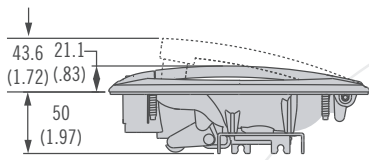


AC-11 Actuator

Large Handle • Flush Mount



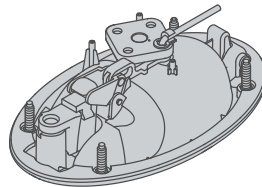
264A



- Recommended to use with Trigger Pull

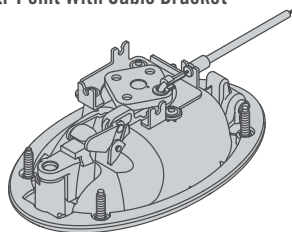
Part Number	
Trigger Pull	R4-0-51292

Multi-Point Without Cable Bracket

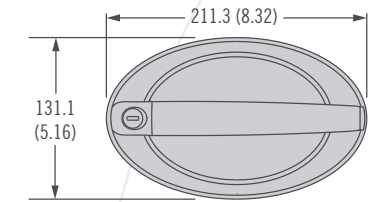


- Recommended to use with Rods

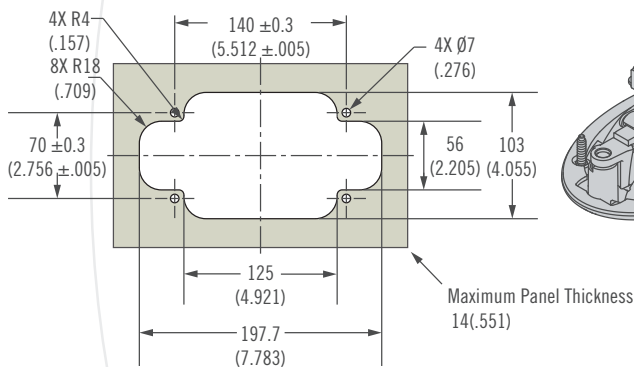
Multi-Point With Cable Bracket



- Recommended to use with Cables: see AC Cable drawing J-AC-C for cable selection.



Panel Preparation



S Actuation Style

- 1 Single Point, Direct Pull
- 2 Multi-Point, without Cable Bracket
- 3 Multi-Point, with Cable Bracket

AC - 11 - S L 1 - 11 - KC

L Locking Options

- 0 Non-Locking
- 1 Reversible key (No keys - R001)
- 2 Reversible key (2 keys included - R001)
- 3 Reversible key (keyed differently - 2 keys included)
- 4 Standard key (No keys - CH751)
- 5 Standard key (2 keys included - CH751)
- 6 Standard key (keyed differently - 2 keys included)
- 7 Reversible Key (2 keys included - 14603)
- 9 No Lock Plug installed (See notes for more information)

KC Key Codes

- (Omit for Locking Options 0, 1, 2, 4, 5 and 9)
 *KD10 Keyed Differently (Only used if L=3 or 6)
 *MK10 Master Keyed Differently (Only used if L=6)
 *Supplied in multiples of 10 with 10 different key codes.

- Rear mount installation
- Flush mounting style
- Single, multi-point or direct pull actuation
- Multiple key code options
- Non-locking option



Material and Finish

Housing, handle, linkage: glass-filled nylon, black

Threaded stud and cable bracket retainers: steel, zinc nickel plated

Housing and handle gaskets: Adhesive backed foam, black

Installation Notes

Mounting nut (M6 x 1) not supplied. Installation torque of mounting nuts not to exceed 7 N•m (62 in-lbf)

Notes

AC-11 can only use snub end coupling (Type 6 or 7 cable).

Part Number Selection

Notes:

For use with Rods / Cables, recommended Snap-in Retainer for Rotator Plate: Southco Part Number R4-0-43922. See Trade Drawing J-R4-0-43922 for more details and options.

For lock core selection, detailed key information and a complete overview of the SOUTHCO® Key-Choice System see PK Lock Cores section.

For unique key code options, please contact customer service.

Other options available. For complete details on variety, part numbers, installation and specification, go to



www.southco.com/AC