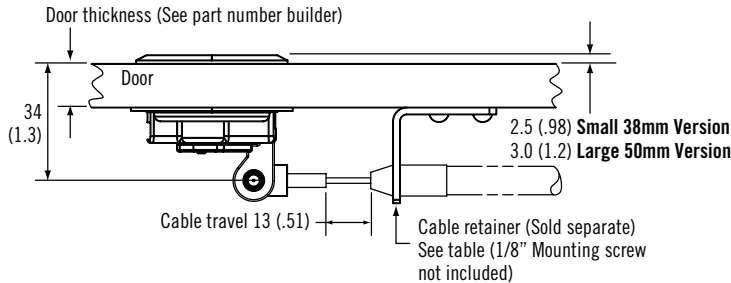
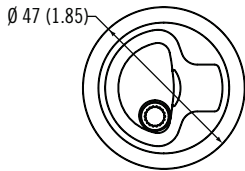


AC Single Point Actuators

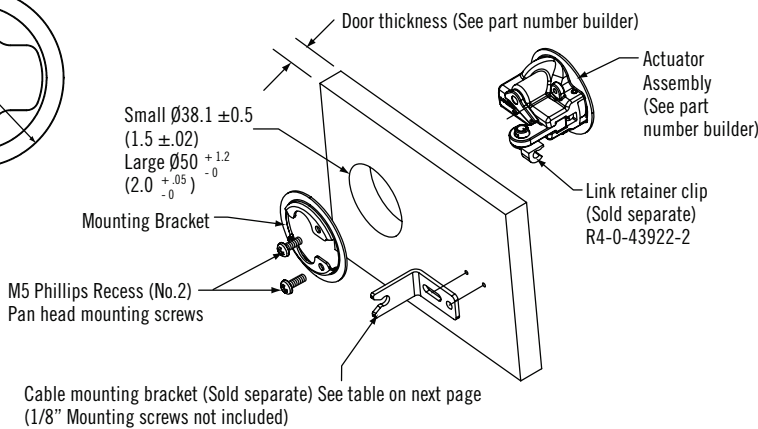
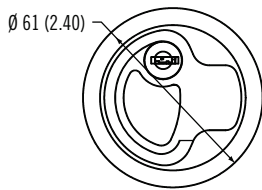
Stainless Steel · M1 Style Actuator



38mm (1 1/2") version



50mm (2") version



- Single, round-hole installation
- Locking style restricts access
- Premium finish and corrosion resistance

Material and Finish

Latch: 316 grade stainless steel and bright polished
 Spacer: Nylon, black
 Contact Southco for other finishes

Performance Details

Max. static load: 545 N (122 lbf)

Accessories (Small)

Spacer: M1-510-96-1
 One key supplied per latch for additional keys order
 M7-88-9121324-S



Mounting screws: M1-510-96-4

Accessories (Large)

For lock style 4
 Key (pair)
 Part number: M1-546

For lock style 7
 Overmolded key S008 (pair)
 Part number:
 M1-525-39-S008



50mm (2") version

AC - M1 - **L** **P** - 8

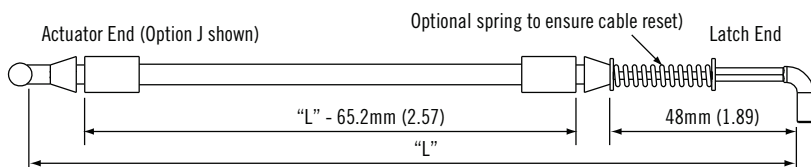
- L** Lock style
- 4 Locking (2 keys supplied)
 - 6 Non-locking
 - 7 Key-locking keyed alike S008 (2 overmolded keys supplied (only available for 50mm 2" version))

38mm (1 1/2") version: (suits 9mm (3/8") or 12mm (1/2") panels):

AC - M1 - 15 - **L** 1 - 8

- P** Panel thickness
- 2 9mm (3/8")
 - 3 12mm (1/2")

AC Cables



- A** Actuator fitting
- J Stainless barrel fitting to suit push-button and paddle actuators
 - K Stainless "L" fitting to suit R4 latch and AC-M1 actuators

- S** Spring option
- 0 No Spring
 - 1 With Spring (latch end only)

AC - C **A** **K** **S** - 3 - **LLLL** - 048

- L** Length in mm
- e.g. 0610 = 610 mm = 2'

Cables

Constructed from marine grade stainless materials, the cable is suitable for multiple bends and can be further customized upon request, Contact Southco for details.
 An in-built spring prevents unintentional actuation by vibration.

Other options available. For complete details on variety, part numbers, installation and specification, go to

INFO CLIC www.southco.com/R4



R4 Push-to-Close Latch

Striker bolt · Stainless Steel · Mini · Installation

- Striker bolt for R4-10 series rotary latch

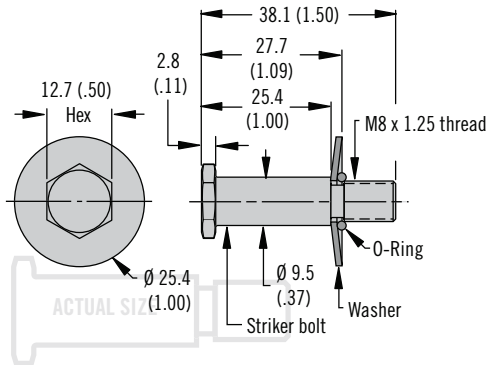
Material and Finish

304 Stainless Steel

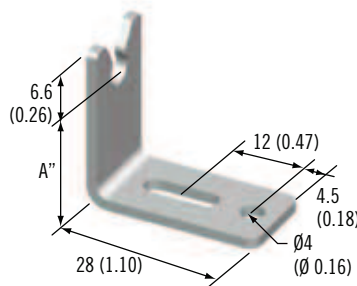
Part Number

See table

Striker Bolt Assembly (sold separately)



Cable Mounting Bracket (sold separately). For use with AC-M1 actuators



Part Number	A	Panel thickness
R4-0-50253-1	25mm (0.98)	9mm (0.35)
R4-0-50253-2	22mm (0.86)	12mm (0.47)

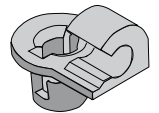
Striker Bolt Part Number

R4-90-121-20

Retainer clip (sold separately)

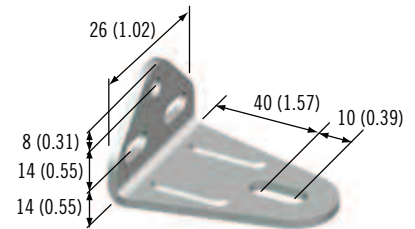
Secures cable to AC-M1 actuator

Part Number: R4-0-43922-2

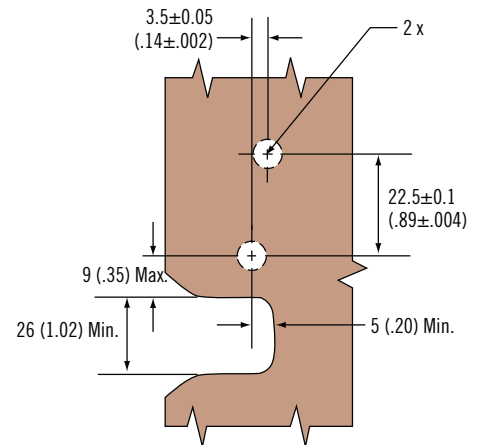


Striker 90° Mounting Bracket (sold separately)

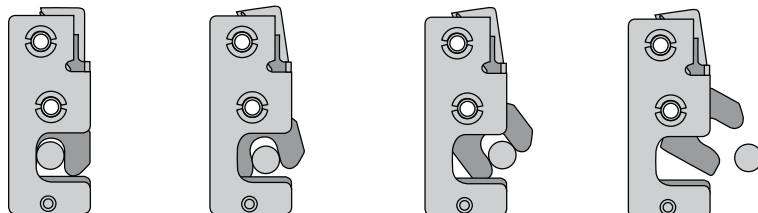
Part Number: R4-0-50114



Panel Preparation



Operation



Latched position

Unlatched position

Dimensions in millimeters (inch) unless otherwise stated

Global Corporate Headquarters and Americas Customer Service & Technical Support Center

Tel: (1) 610-459-4000 · Fax: (1) 610-459-4012 · www.southco.com · info@southco.com

southco
CONNECT · CREATE · INNOVATE

Other options available. For complete details on variety, part numbers, installation and specification, go to



www.southco.com/R4

© Southco R4SS 722NA 02-11