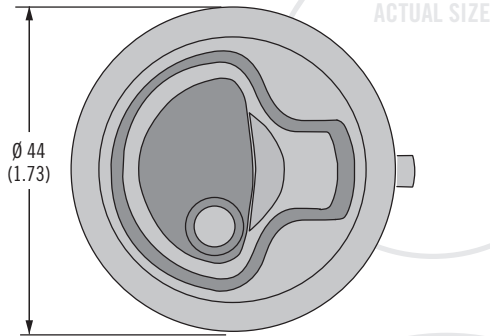


# AC Single Point Actuators

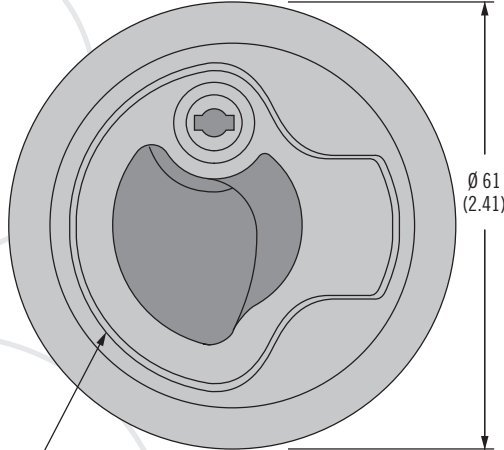
## Stainless Steel · M1 Style Actuator



**38mm (1.5")**  
Shown actual size

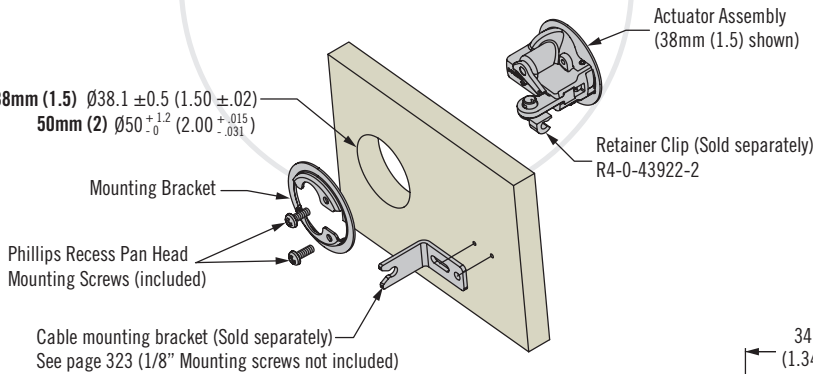


**50mm (2")**  
Shown actual size

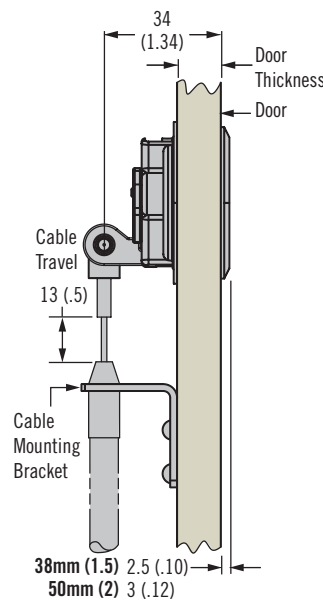


Locking handle shown  
(also available as non-locking)

**38mm (1.5)**  $\varnothing 38.1 \pm 0.5$  (1.50  $\pm$  .02)  
**50mm (2)**  $\varnothing 50 \pm_{-0}^{+1.2}$  (2.00  $\pm$  .031)



Size	Actuator Assembly	Part Number	Door Thickness	Cable Mounting Bracket
38mm (1.5)	Locking (2 keys supplied)	AC-M1-15-41-8	9 mm	R4-0-50253-1
			12 mm	R4-0-50253-2
38mm (1.5)	Non-Locking	AC-M1-15-61-8	9 mm	R4-0-50253-1
			12 mm	R4-0-50253-2
50mm (2)	Locking (2 keys supplied)	AC-M1-42-8	9 mm	R4-0-50253-1
			12 mm	R4-0-50253-2
	Non-Locking	AC-M1-62-8	9 mm	R4-0-50253-1
			12 mm	R4-0-50253-2
			12 mm	R4-0-50253-2
Key-Locking keyed alike S008	AC-M1-72-8	9 mm	R4-0-50253-1	
		12 mm	R4-0-50253-2	



- Single, round-hole installation
- Locking style restricts access
- Premium finish and corrosion resistance

### Material and Finish

Latch: 316 grade stainless steel, bright polished  
Spacer: Nylon, black  
Contact Southco for other finishes

### Performance Details

Max. static load: 545 N (122 lbf)

### Accessories - 38mm (1.5")

Spacer: M1-510-96-1  
Mounting screws: M1-510-96-4  
One key supplied per latch for additional keys order  
M7-88-9121324-S



### Accessories - 50mm (2")

For lock style 4  
Key (pair)  
Part number: M1-546

For lock style 7  
Overmolded key S008 (pair)  
Part number:  
M1-525-39-S008



### Cables

For cable configuration, see Cable Selection Tool on Southco.com