



AC-EM-05 Electro-Mechanical Actuator

Compact size

- Compact, low power, push only electrical actuator
- Versatile solution for implementing electrical actuation
- Economical upgrade for Southco R4-05 Rotary Latch from mechanical to electrical actuation
- Available with or without connector

Material & Finish

Enclosure, Output Cam:

Nylon, Acetal; Black

Housing Assembly Screws:

Steel, zinc plated

Electrical Specifications

Supply Voltage: 5V +/- 10%

Operating Current:

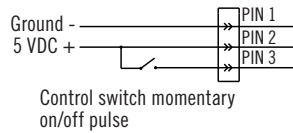
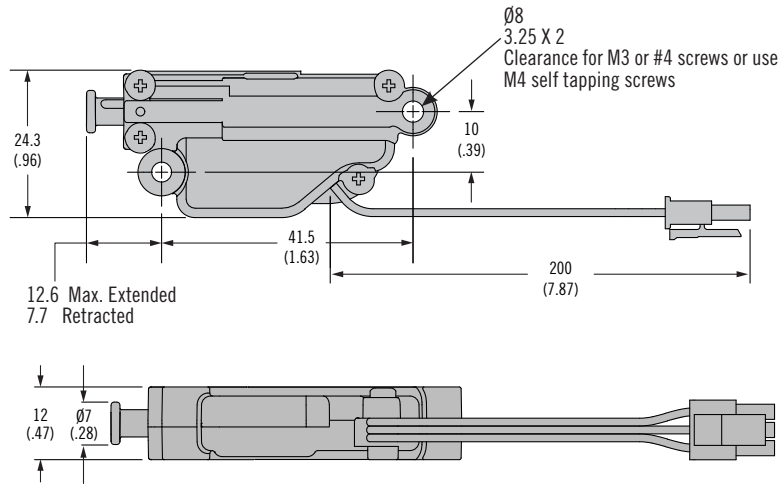
Less than 300mA at 5 VDC

Operating Temperature:

-20°C - 60°C

Notes

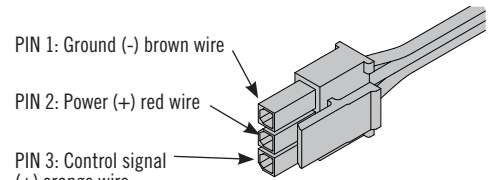
*Mount using the 3.25 dia through holes or with thread forming screws (M4) for plastic.



PIN 1: Ground (-) brown wire

PIN 2: Power (+) red wire

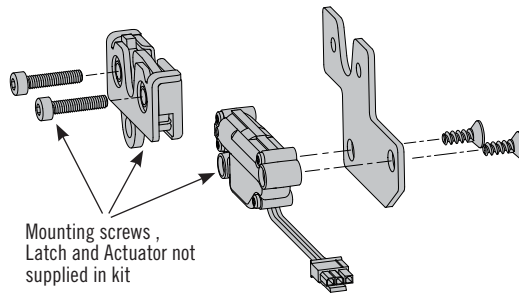
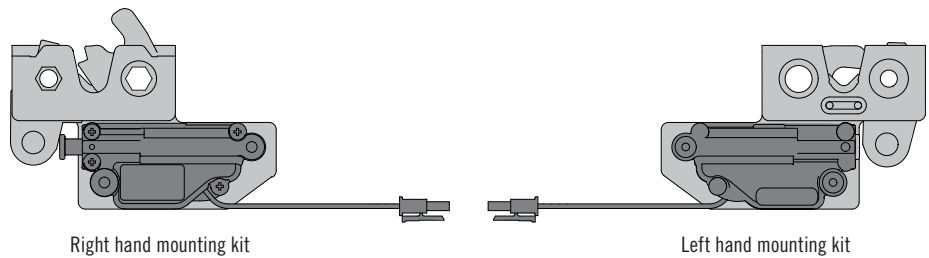
PIN 3: Control signal (+) orange wire



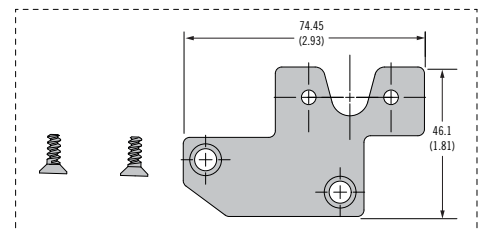
Part Number	Connector Type
AC-EM-050-5010	with Molex brand Microfit 3.0 connector
AC-EM-050-5020	without connector (stripped and tinned)

Optional Mounting Kit

For R4-05-XX-505 Rotary Latches (latch and actuators sold separately)



Mounting screws, Latch and Actuator not supplied in kit



Kit consists of mounting plate and 2 self-tapping screws AC-EM-020-2 shown

Part Number	Type
AC-EM-020-1	Left hand mounting kit
AC-EM-020-2	Right hand mounting kit

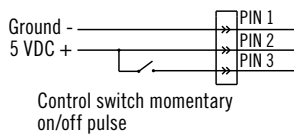
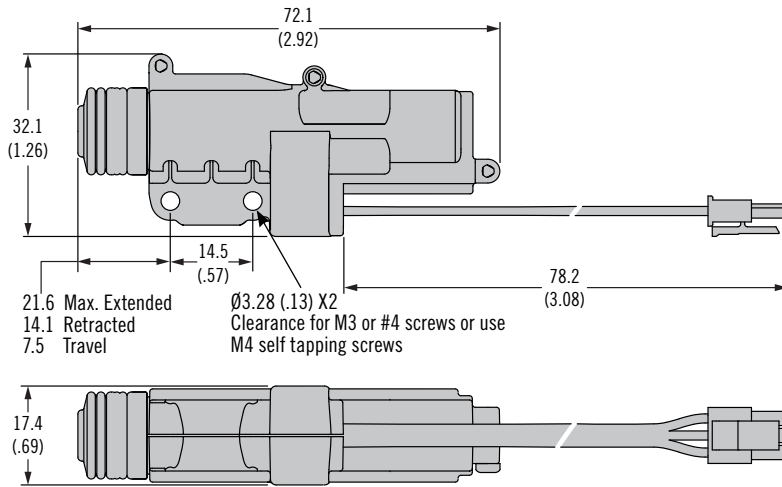


AC-EM-10 Electro-Mechanical Actuator

Compact Size



39B



PIN 1: Ground (-) brown wire

PIN 2: Power (+) red wire

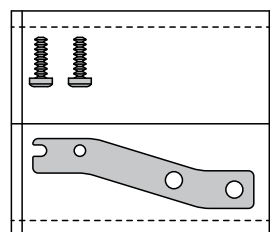
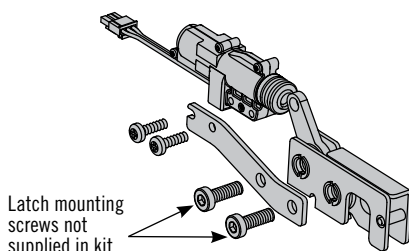
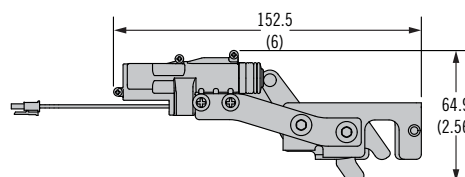
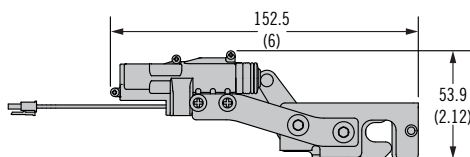
PIN 3: Control signal (+) orange wire

Part Number	Supply Voltage	Connector Type
AC-EM-100-5011	5V	with Molex brand Microfit 3.0 connector
AC-EM-100-5021	5V	without connector (stripped and tinned)

Note: For Bulk Packaging, add -1 suffix to part number

Optional Mounting Kit

For R4-10 Rotary Latches (latch and actuators sold separately)



Kit consists of mounting plate and 2 self-tapping screws
AC-EM-059-1

- Efficient gear motor driven actuator
- Sealed to IP55
- Versatile solution for Electrically actuating latching mechanisms
- Economical upgrade for Southco R4-10 Rotary Latch from mechanical to electrical actuation
- Available with 3 Pin Connector or stripped and tinned



5V

Material & Finish

Enclosure, Output Cam: Nylon, Acetal
Housing Assembly Screws: Steel, Zinc Plated

Electronic Specifications

Supply Voltage: 5 +/- 10%

Operating Current:
Less than 300 mA

Operating Temperature:
-20°C - 60°C

Operating Humidity: 85% max
No condensation

Notes

Connector version uses Molex brand Microfit 3.0