

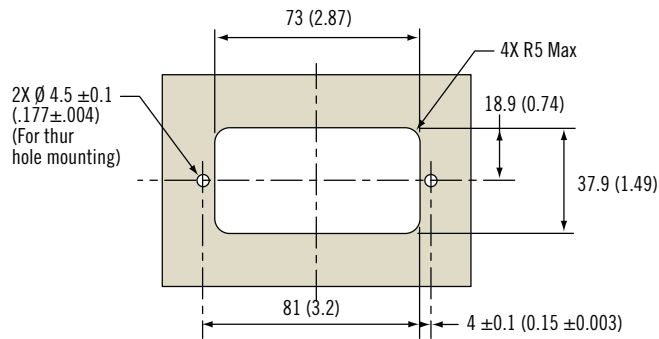
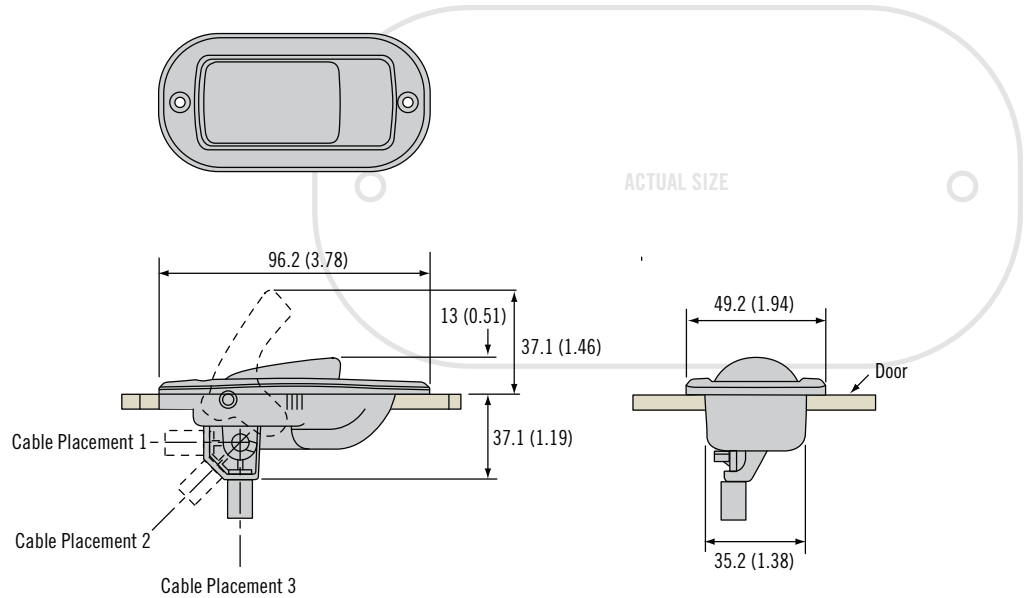


# AC-75 Single Point Actuator Paddle

- Front mount installation
- Flush
- Three cable mounting options

## Material and Finish

Paddle and housing:  
Aluminum, black powder coated



## Part Number

See table

Part Number
AC-75-101-11

Cable Orientation	Panel Thickness	Cable Travel
Placement 1	12.5 (.49) max.	11.1 (.44)
Placement 2	16 (.63) max.	13.2 (.52)
Placement 3	16 (.63) max.	13.2 (.52)

Other options available. For complete details on variety, part numbers, installation and specification, go to



[www.southco.com/AC](http://www.southco.com/AC)

© Southco AC-75 743NA 05-11

Dimensions in millimeters (inch) unless otherwise stated

Global Corporate Headquarters and Americas Customer Service & Technical Support Center  
Tel: (1) 610-459-4000 · Fax: (1) 610-459-4012 · [www.southco.com](http://www.southco.com) · [info@southco.com](mailto:info@southco.com)

**southco**  
CONNECT · CREATE · INNOVATE