



# A5 Modular System

## Rods and rod guides

### Modular rod and rod guides

#### Material and Finish

Rods: Aluminum or steel, zinc plated  
 Rod rollers: Glass-filled nylon, black  
 Rod guides: Glass-filled nylon, black with steel, zinc plated hardware

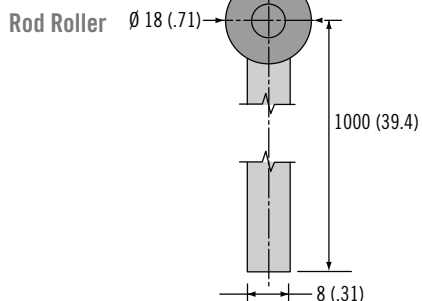
#### To Select Correct Assembly:

1. Choose actuator plate to match latch family or linear actuator and 2 adaptors
2. Order rod guides (2 per assembly).  
 Fixed rod guide recommended for fixed point rod.  
 Adjustable rod guide recommended for rod roller assembly.
3. Order rods (2 per assembly)

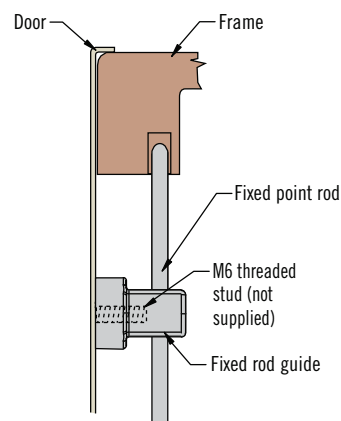
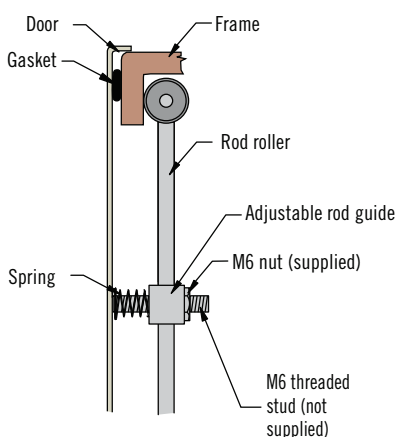
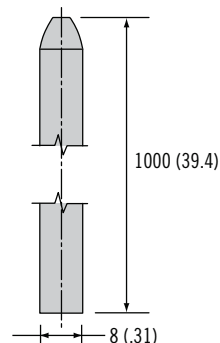
#### Part Number

Order rod and rod guide separately see tables

#### Rods



#### Fixed Point Rod

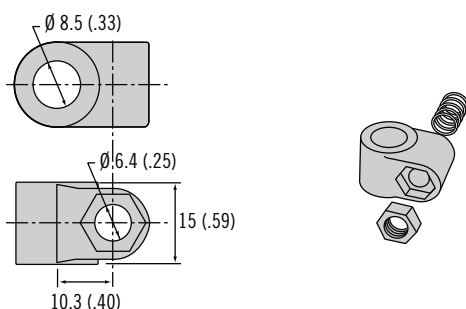


| Material | Fixed Point Rod Part Number |
|----------|-----------------------------|
| Aluminum | A5-55-1000-10               |
| Steel    | A5-55-1000-11               |

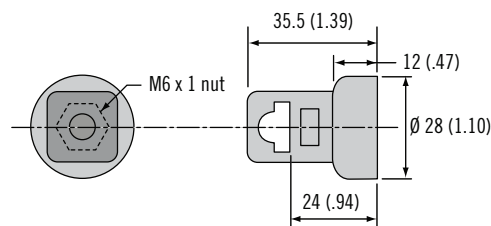
| Rod Roller Steel Part Number |  |
|------------------------------|--|
| A5-56-1000-21                |  |

#### Rod Guides

##### Adjustable



##### Fixed



| Adjustable Rod Guide Part Number<br>(includes 2 rod guides, 2 springs and 2 M6 nuts) |
|--|
| A5-87-401  |

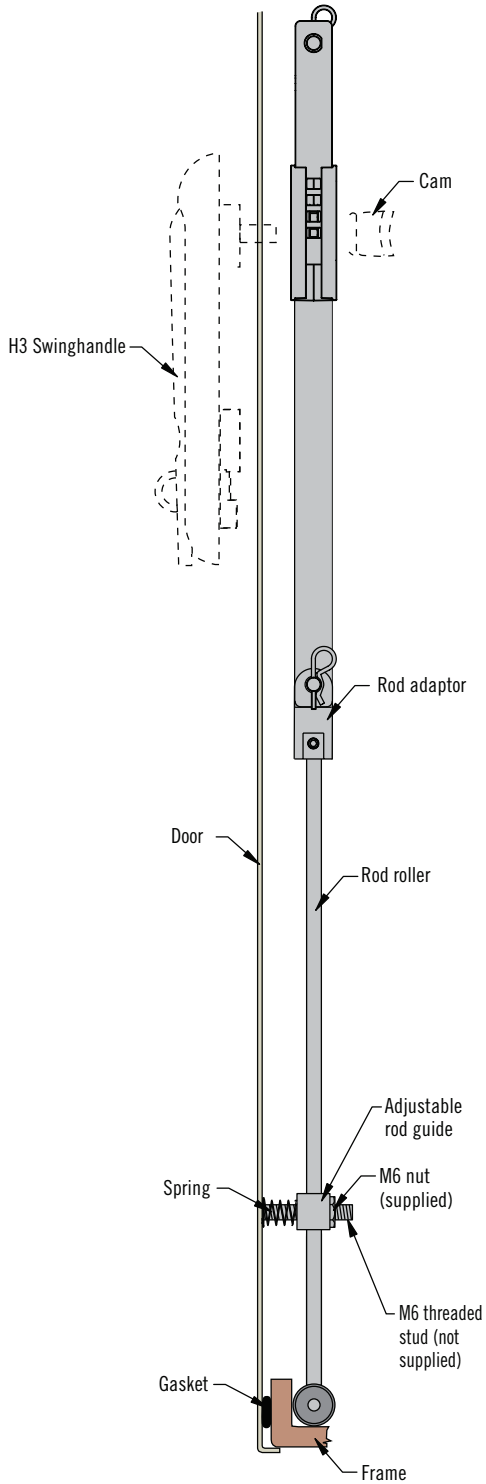
| Fixed Rod Guide Part Number<br>(one piece supplied) |
|---|
| A5-81-301-71  |

Other options available. For complete details on variety, part numbers, installation and specification, go to

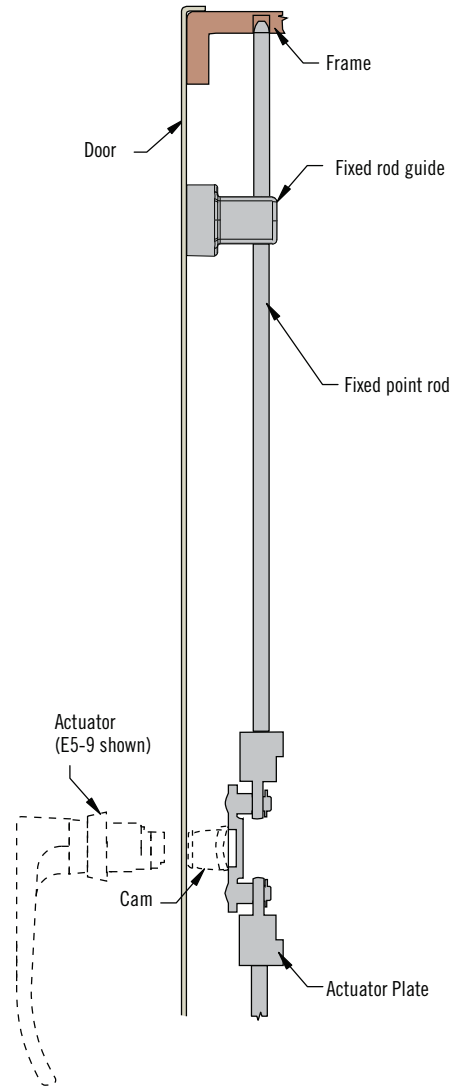
**INFO CLIC** [www.southco.com/A5](http://www.southco.com/A5)

Dimensions in millimeters (inch) unless otherwise stated

**Linear Actuator Assembly**  
(adjustable with rod roller shown)



**Actuator Plate Assembly**  
(fixed point shown)



**Notes**

Modular system allows for any configuration of rod and rod guides

