



A3 Push-to-Close Latch

Slide-to-open · Flush · Locking

- Single hole snap-in installation
- Corrosion-resistant materials

Material and Finish

Latch: ABS, black
Spring: Stainless steel

Performance Details

Operating temperature range:
-40°C (-40°F) to 60°C (140°F)

Flammability rating: UL94-V0

Installation Notes

Prepare a burr free hole
Door thickness must include plating or paint thickness

Accessories

Flat key, keyed alike CH751
(2 keys per ring)
Part number: PK-10-01

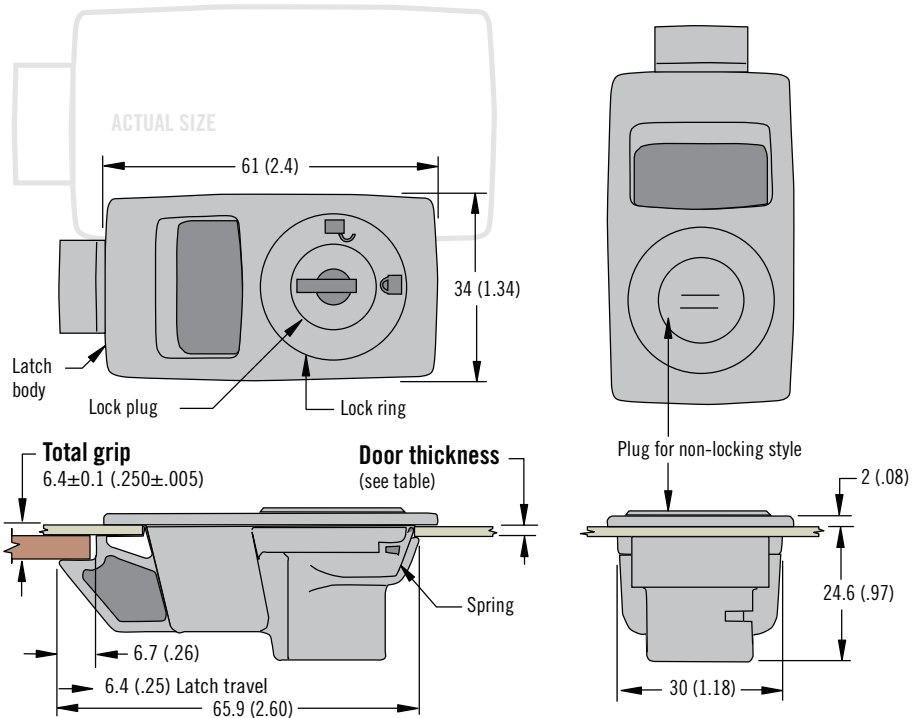


Overmolded key, keyed alike CH751
(2 keys per ring)
Part number: PK-10-01-05

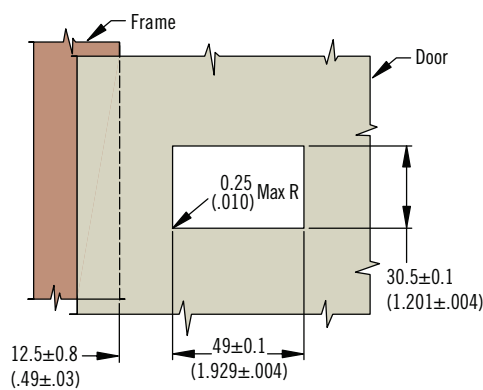


Part Number

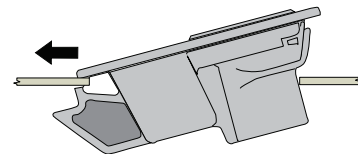
See table



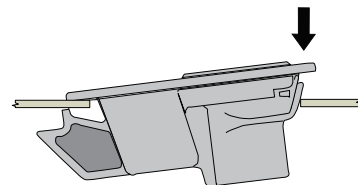
Installation



1. Slip front of latch through hole, push forward



2. Snap back end of latch into position



Door Thickness	Part Number		
	Non-Locking	Key-Locking Keyed Alike CH751 (No Keys Supplied)	Key-Locking Keyed Alike CH751 (2 Flat Keys Supplied)
0.9 (.035) to 1.2 (.047)	A3-80-525-12	A3-85-525-12	A3-87-525-12
1.3 (.051) to 1.6 (.062)	A3-80-625-12	A3-85-625-12	A3-87-625-12

Dimensions in millimeters (inch) unless otherwise stated