



# A3 Push-to-Close Latch

## Slide-to-open · Ergo tab style

- Single hole snap-in installation
- Corrosion-resistant materials

### Material and Finish

Latch: ABS, black

Spring: Stainless steel

### Performance Details

Max. working load:

Medium: 90 N (20 lbf)

Large: 130 N (29 lbf)

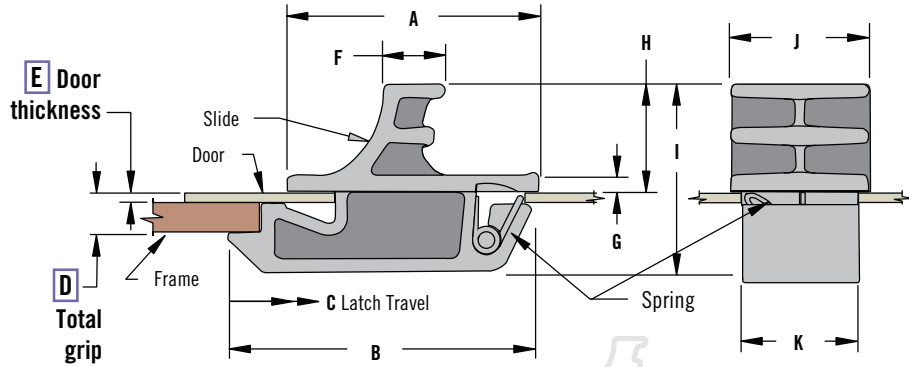
Operating temperature range:  
-40°C (-40°F) to 60°C (140°F)

Flammability rating: UL94-V0

### Installation Notes

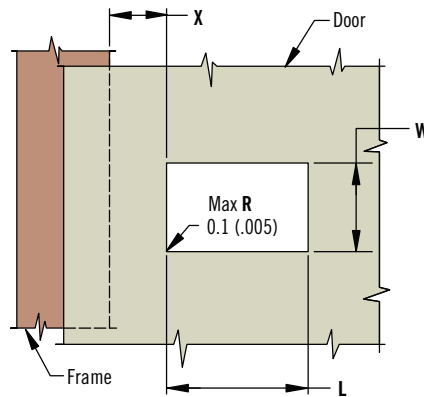
Prepare a burr free hole

Door thickness must include plating or paint thickness

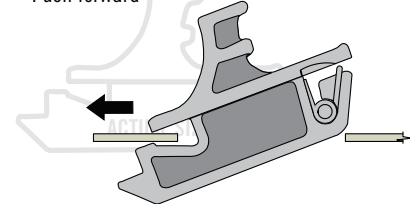


### Installation

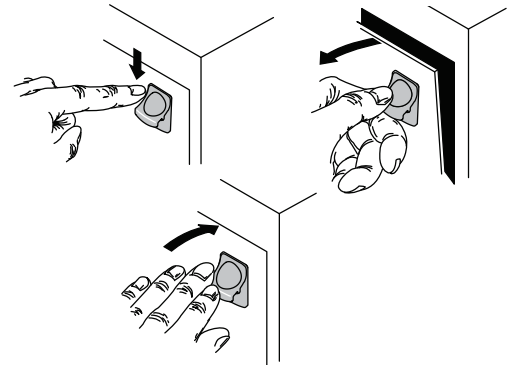
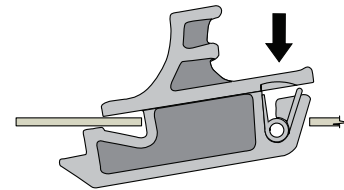
1. Prepare burr-free hole



2. Slip front of latch through hole  
Push forward



3. Snap back end of latch into position



Size	Installation		
	L	W	X
Medium	12.7±0.1 (.500±.005)	7.8±0.05 (.307±.002)	6.4±0.8 (.25±.03)
Large	22.2±0.1 (.875±.005)	14.3±0.1 (.562±.005)	9.5±0.8 (.38±.03)

### Part Number

See table

E Door Thickness	D Total Grip	Dimensions									Part Number	Size
		A	B	C	F	G	H	I	J	K		
1 ± 0.1 (.04±.005)	3 ± 0.1 (.12±.005)	19 (.75)	22.2 (.87)	4 (.16)	5.1 (.20)	1.5 (.06)	8.3 (.33)	15.5 (.61)	9.5 (.37)	7.6 (.30)	A3-70-412-25	Medium
1.2+0.2-0 (.05±.005)	4.8 ± 0.1 (.19±.005)	30.1 (1.19)	36.2 (1.43)	4.3 (.17)	7.2 (.28)	2.2 (.09)	12.8 (.50)	22.4 (.88)	16.5 (.65)	14 (.55)	A3-60-519-25	Large

