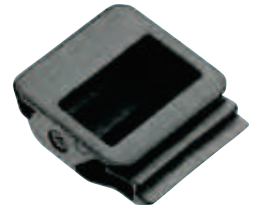
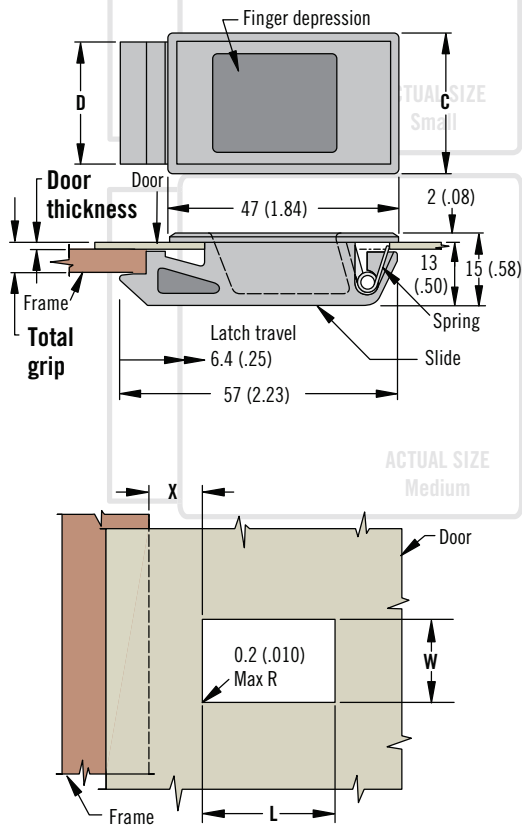


A3 Push-to-Close Latch

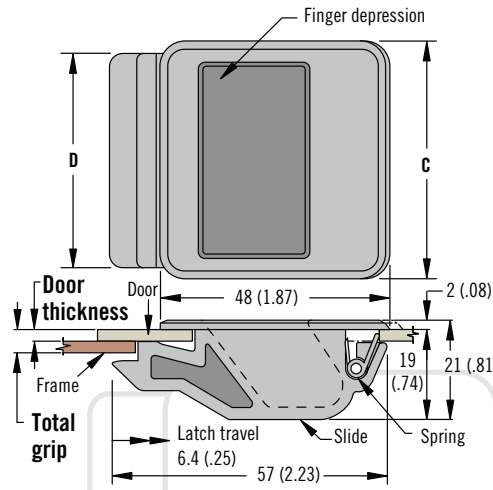
Slide-to-open · Flush



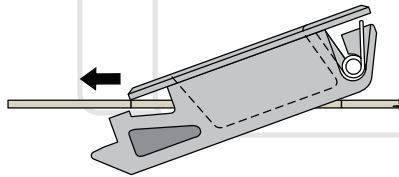
Small and Medium



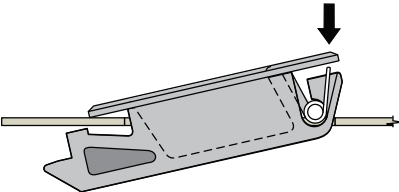
Large (deeper depression)



1. Slip front of latch through hole, push forward



2. Snap back end of latch into position



Series	Installation		
	L	W	X
Small	38.1±0.1	25.4±0.1 (1.0±.005)	12.7±0.7 (.5±.03)
Medium	44.5±0.1 (1.50±.005)	44.5±0.1 (1.75±.005)	
Large			

Size	Door Thickness	Total Grip	Dimensions		Part Number	
			C	D	UL94-HB	UL94-V0
Small	1.2±0.1 (.050±.005)	6.4±0.1 (.250±.005)	28 (1.11)	25 (.99)	A3-40-525-12	A3-99-187-12
	1.6 ⁺⁰ _{-.2} (.060±.005)	6.4±0.1 (.250±.005)	28 (1.11)	25 (.99)	A3-40-625-12	A3-99-130-12
Medium	2.2 ^{+0.2} _{-.0} (.090±.005)	6.4±0.1 (.250±.005)	47 (1.86)	44 (1.74)	A3-50-925-12	A3-99-144-12
Large	2.2 ^{+0.2} _{-.0} (.090±.005)	6.4±0.1 (.250±.005)	50 (1.95)	44 (1.74)	A3-99-122-12	A3-99-253-01

- Single hole snap-in installation
- Corrosion-resistant materials

Material and Finish

Latch: ABS, black
Spring: Stainless steel

Performance Details

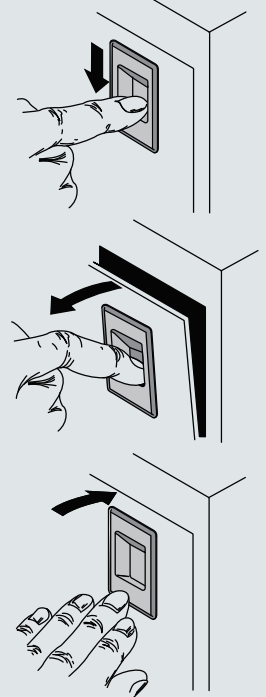
Max. working load:
40 series 180 N (40 lbf)
50 and 99 series
220 N (50 lbf)

Operating temperature range:
-40°C (-40°F) to 60°C (140°F)

Flammability rating:
UL94-HB or UL94-V0

Installation Notes

Prepare a burr free hole
Door thickness must include plating or paint thickness



Part Number

See table