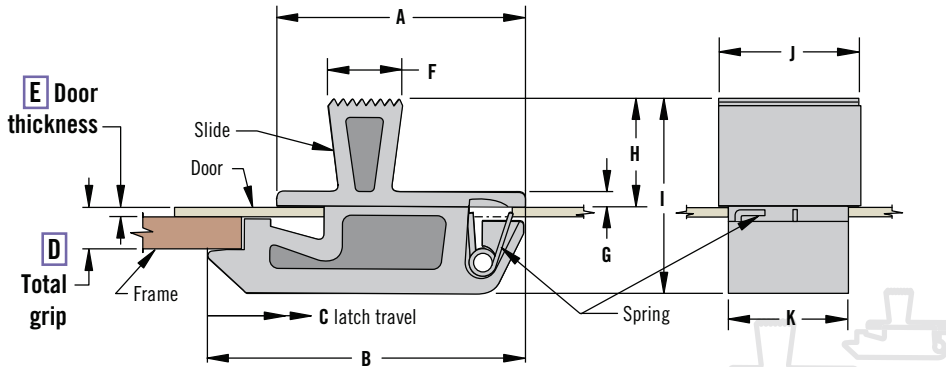


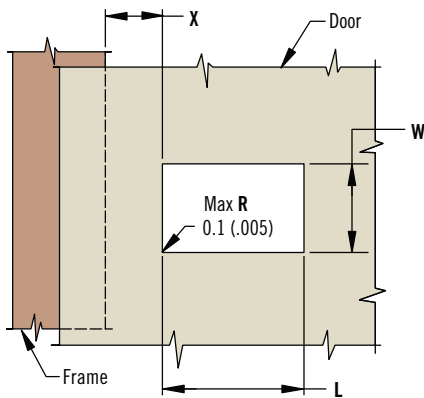
A3 Push-to-Close Latch

Slide-to-open · Tab style

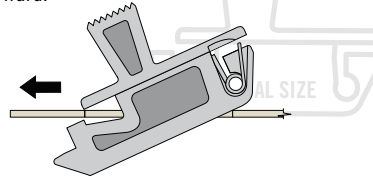


Installation

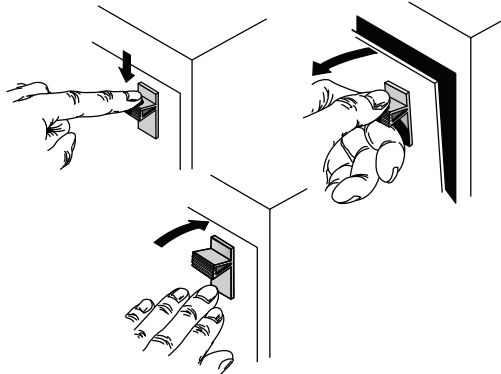
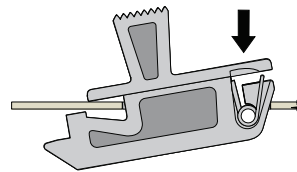
1. Prepare burr-free hole



2. Slip front of latch through hole
Push forward.



3. Snap back end of latch into position



Size	Installation		
	L	W	X
Small	8.33±0.05 (.328±.002)	4.57±0.05 (.180±.002)	4.8 ±0.8 (.19±.03)
Medium	12.7±0.1 (.500±.005)	7.8±0.05 (.307±.002)	6.4±0.8 (.25±.03)
Large	22.2±0.1 (.875±.005)	14.3±0.1 (.562±.005)	9.5±0.8 (.38±.03)

- Single hole snap-in installation
- Corrosion-resistant materials

Material and Finish

Latch: ABS, black

Spring: Stainless steel

Performance Details

Max. working load:

Small 25 N (5 lbf)

Medium 90 N (20 lbf)

Large 130 N (30 lbf)

Operating temperature range:

-40°C (-40°F) to 60°C (140°F)

Flammability rating: UL94-HB

Installation Notes

Prepare a burr free hole

Door thickness must include plating or paint thickness

Part Number

See table

E Door Thickness	D Total Grip	Dimensions									Part Number	Size
		A	B	C	F	G	H	I	J	K		
.76±.08 (.030±.003)	2.54±0.13 (.100±.005)	11.9 (.47)	15.1 (.59)	3 (.12)	4.0 (.16)	0.8 (.03)	5.6 (.22)	11.1 (.44)	6.0 (.23)	4.4 (.17)	A3-10-310-12	Small
1±0.1 (.04±.005)	3±0.1 (.12±.005)	18 (.70)	22.5 (.87)	4 (.16)	5.5 (.22)	1.5 (.06)	8.5 (.33)	15.5 (.61)	9.5 (.37)	7.5 (.30)	A3-20-412-12	Medium
1.2±0.2-0 (.05±.005)	4.8±0.1 (.19±.005)	29 (1.13)	36 (1.41)	4.3 (.17)	9 (.34)	2 (.08)	13 (.50)	22.5 (.87)	16.5 (.64)	14 (.55)	A3-30-519-12	Large